

226D3/232D3/236D3/ 242D3/246D3/262D3/ 272D3/272D3 XE



Skid Steer Loaders



Engine	226D3	232D3	236D3	242D3	246D3	262D3	272D3	272D3 XE
Gross Power (SAE J1995)	50.1 kW 67.1 hp	50.1 kW 67.1 hp	55.4 kW 74.3 hp	55.4 kW 74.3 hp	55.4 kW 74.3 hp	55.4 kW 74.3 hp	73 kW 98 hp	82 kW 110 hp
Weights								
Operating Weight	2653 kg 5,849 lb	2955 kg 6,514 lb	2979 kg 6,567 lb	3238 kg 7,138 lb	3392 kg 7,478 lb	3763 kg 8,296 lb	4143 kg 9,133 lb	4342 kg 9,573 lb
Operating Specifications								
Rated Operating Capacity	705 kg 1,550 lb	865 kg 1,900 lb	820 kg 1,800 lb	1000 kg 2,200 lb	1000 kg 2,200 lb	1225 kg 2,700 lb	1570 kg 3,450 lb	1680 kg 3,700 lb

**226D3/232D3/236D3/242D3/246D3/262D3/
272D3/272D3 XE Features**

Industry Leading Cab

One piece, modular design provides a premium sealed and pressurized cab for a cleaner and quieter operating environment with excellent visibility, wide opening door, and generous leg room.

Superior Power

High performance power train provides maximum performance with features such as Electronic Torque Management system, optional two speed and an electronic hand/foot throttle with decel pedal capability.

Powerful Hydraulics

High flow hydraulic system available for applications that demand maximum hydraulic work tool performance.

Labor Saving Features

The industry leading dual direction electronic self level, return-to-dig, and work tool positioner features make repetitive tasks like grading, digging, and loading fast and easy.

Versatility

One machine, many tasks. Do more with the broad range of performance matched Cat® Work Tool Attachments, built to get the most out of your machine.

Contents

Operator Station.....	4
Power Train.....	6
Lift Linkages.....	6
Performance.....	7
Attachments.....	8
Serviceability.....	9
Customer Support.....	9
Dimensions.....	10
Specifications.....	18
Notes.....	21

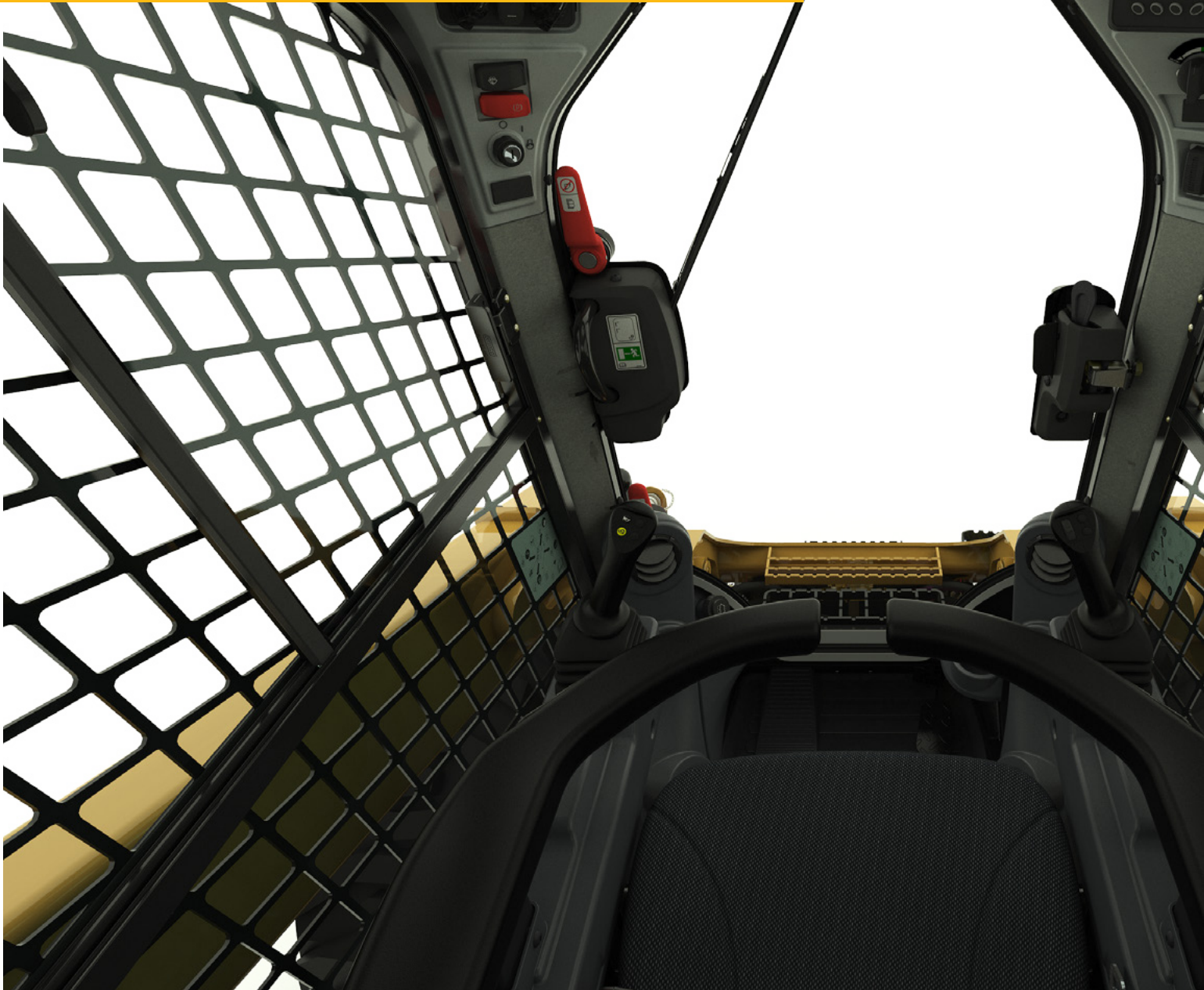




Experience the difference of a Cat Skid Steer Loader. Spacious operator station features ergonomic joystick controls, ample leg room and an available high back, heated, air ride seat to keep you comfortable all day long. Built for outstanding performance, comfort and versatility, the Cat D3 Series Skid Steer Loaders help you get more done to improve your bottom line.

Operator Station

Spacious working environment for all day comfort.



Base Display

The standard control monitor on 226D3 and 232D3 provides single-code security to help prevent theft and unwanted operation. The full color Advanced Display monitor is available as an option on these models and standard on all other Skid Steer Loader models.

Best Seat on the Job Site

High back, heated, air ride seat available in both cloth and vinyl.





Superior Comfort

The Cat D3 Series sets a new standard in operator comfort. The wide, spacious interior and uncluttered floor helps you work comfortably and productively all day long. Features include:

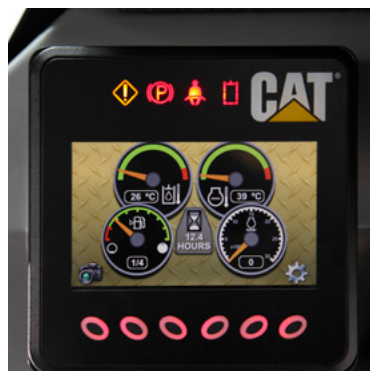
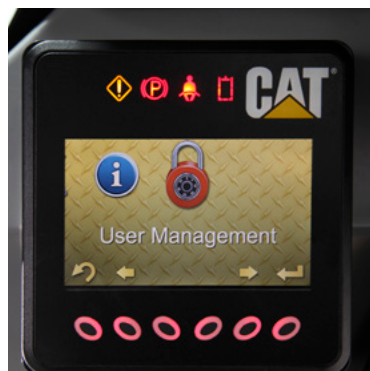
- One piece, modular design provides a premium sealed and pressurized cab for cleaner and quieter working environment
- High back, heated, air ride seat with seat-mounted joystick controls for added comfort (option)
- Clear sight lines provide excellent visibility
- Air conditioner and heater for greater comfort in all climates (option)
- Ample leg room with 75 mm (3 in) of additional room for your knees †
- Easier entry and exit with up to a 40% wider-opening door †
- ISO or H-Pattern Control patterns are available to allow the operator to select the control pattern they are most familiar with for greater productivity (option)

†Compared to previous model series

Advanced Display Monitor

The Advanced Display Monitor (standard on most models) lets you customize your machine performance to your needs by offering the ultimate in operator control features and functionality. This easy to read 127 mm (5 in) full color display puts machine information at your fingertips. It provides on screen adjustments to working parameters and preferences such as implement response adjustment, drive response adjustment, creep setting, ride control activation speed, top speed limit setting, language, background color and gauge display style. All parameters can be customized and retained for each individual operator's code. It also provides:

- Security system to prevent unauthorized machine usage
- Capability to program up to 50 operator codes to store and recall each operator's preferences and working parameters, allowing the machine to be tailored to experience level and application
- Integrated rearview camera for enhanced job site visibility
- Provides special information and control screens for Smart Attachments
- Favorites button provides quick access to commonly used screens
- Job Clock helps track costs by monitoring and storing statistics by the job
- Machine maintenance schedule and reminders for optimum uptime





Vertical Lift Linkage



Radial Lift Linkage

Lift Linkages

Choice of lift designs.

Two types of lifting arrangement are available – vertical lift and radial lift – to meet your specific application needs.

Vertical Lift

The 232D3, 242D3, 262D3, 272D3, and 272D3 XE feature the vertical lift design which provides extended reach and lift height for material handling or quick and easy truck loading.

Radial Lift

The 226D3, 236D3, and 246D3 feature the radial lift design which delivers excellent digging performance and superior mid-lift reach.

Power Train

Aggressive performance.

Cat Engine

The electronically controlled Cat C2.2, C3.3B, and C3.8 engines provide high horsepower and torque. These rugged, reliable engines meet U.S. EPA Tier 4 Final and EU Stage IV* (C3.8), EU Stage V (C3.3B), and EU Stage IIIB* (C2.2) emission standards.

*Stage IV and Stage IIIB engines comply with the transition provisions of the EU non-road emission regulation.

Cat Intelligent Leveling (ILEV) System

The exclusive Cat Intelligent Leveling System takes machine performance to a new level and provides industry leading features such as:

- Electronic Dual Self Leveling that allows the operator to automatically maintain a level load whether lifting or lowering
- Return-to-dig which allows the operator to pre-set the digging angle of the bucket and then automatically lowers the lift arms and recalls the bucket angle
- Work Tool Positioner which allows the angle of the work tool (bucket, box rake, cold planer, forks, trencher, etc.) to be pre-set and then automatically recalled if the machine is repositioned, increasing productivity
- Electronic snubbing that automatically cushions the descent of the lift arms, slowing the downward motion just before the arms reach their stops

Electronic Throttle

An electronic dial-type throttle lets you set precise RPM setting. When the dial is moved to the high-idle position, the foot throttle functions as a decelerator pedal. This gives you greater control, allowing you to quickly adjust the travel speed during precise maneuvers or to regulate engine speed when using hydro-mechanical work tools.

The throttle-smoothing feature monitors the accelerator pedal's movement under the operator's foot when traveling over rough terrain and adjusts to provide a steadier, more even travel speed.





Performance

Solutions for a wide range of applications.

High Performance Hydraulic System

Maximum power and reliability are built into the Cat hydraulic system to help you get the job done faster. The hydraulic system features outstanding lift and breakout forces. The standard demand fan provides improved fuel efficiency and increased horsepower.

High Flow Hydraulic Systems

High Flow (226D3/236D3/242D3) and High Flow XPS (246D3/262D3/272D3) hydraulic systems are available for applications that demand maximum work tool performance. The 272D3 XE high flow system features the highest level of hydraulic performance with 94 hydraulic HP (70 kW).

Two Speed Option

Increase your productivity with the optional Two Speed.

Ride Control

The optional Speed Sensitive Ride Control system delivers a smoother ride on uneven terrain for superior comfort, higher speed operation and better material retention.

Smart Attachments

Plug-and-play recognition between the machine and attachment adapts the joystick controls to match specific Smart Attachments. Special information and control screens can be accessed in the Advanced Display monitor. This high level of integration maximizes productivity by making complex attachments easy to set up and use from the comfort of the cab.

Attachments

Do more jobs with one machine using Cat Work Tools.

The Right Tool for the Job

Designed and built for optimum performance and durability, Cat Work Tools deliver high productivity in a variety of applications to maximize versatility:

- Augers
- Bale Spears
- Blades (angle, dozer)
- Buckets (general purpose, high capacity, dirt, utility, light material, multi purpose, industrial grapple, utility grapple)
- Brooms (angle, pickup, utility)
- Brushcutters
- Cold Planers
- Forks (pallet, industrial grapple, utility grapple, utility)
- Hydraulic Hammers
- Landscape Tillers and Rakes
- Material Handling Arm
- Mulchers
- Power Box Rakes
- Snow Tools (snow blowers, pushes, plows, wings)
- Shear
- Stump Grinders
- Trenchers
- Vibratory Compactors
- Wheel Saws
- Smart Backhoe
- Smart Dozer Blade with Assist
- Smart Grader Blade with Assist

Smart Attachments

Plug-and-play recognition between the machine and attachment adapts the joystick controls to match specific Smart Attachments. Special information and control screens can be accessed in the Advanced Display monitor. This high level of integration maximizes productivity by making complex attachments easy to set up and use from the comfort of the cab.

Quick Couplers

Work tools can be changed quickly and easily with the Cat Skid Steer Loader's quick coupler system. The standard quick coupler features manual engagement and disengagement of work tools using two high leverage handles. The optional hydraulic quick coupler allows the operator to quickly change tools without leaving the cab.



Serviceability

Easy maintenance helps keep your machine working.

Minimize Your Downtime

Convenient service features make maintenance easy, reducing your downtime:

- Easy ground level access to all routine service points
- Wide opening rear door for easy access to both sides of the engine
- Electric priming pump with automatic air bleed for the fuel system eliminates the need to pre-fill filters with fuel, reducing the risk of contaminants
- Cat Product Link™ system provides remote reporting of machine location and operating system parameters



Customer Support

Unmatched support makes the difference.



Renowned Dealer Support

From helping you choose the right machine to knowledgeable ongoing support, Cat dealers provide the best in sales and service.

- Preventive maintenance programs and guaranteed maintenance contracts
- Best-in-class parts availability
- Operator training to help boost your profits
- Genuine Cat Remanufactured parts

226D3/232D3/236D3/242D3/246D3/262D3/272D3/272D3 XE

Skid Steer Loaders Specifications

Engine		
Engine Model		
226D3/232D3	Cat C2.2 (turbo)	
236D3/242D3/246D3/262D3	Cat C3.3B DIT (turbo)	
272D3/272D3 XE	Cat C3.8 DIT (turbo)	
Gross Power (SAE J1995:2014)		
226D3/232D3	50.1 kW	67.1 hp
236D3/242D3	55.4 kW	74.3 hp
246D3/262D3	55.4 kW	74.3 hp
272D3	73.2 kW	98.2 hp
272D3 XE	82.0 kW	110.0 hp
Net Power (SAE 1349:2011)*		
226D3/232D3	49.1 kW	65.8 hp
236D3/242D3	54.6 kW	73.2 hp
246D3/262D3	54.4 kW	72.9 hp
272D3	70.6 kW	94.7 hp
272D3 XE	79.0 kW	105.9 hp
Net Power (ISO 9249:2007)*		
226D3/232D3	49.6 kW	66.5 hp
236D3/242D3	55.1 kW	73.9 hp
246D3/262D3	54.9 kW	73.7 hp
272D3	71 kW	96 hp
272D3 XE	80 kW	107 hp
Displacement		
226D3/232D3	2.2 L	232 in ³
236D3/242D3/246D3/262D3	3.3 L	232 in ³
272D3/272D3 XE	3.8 L	232 in ³
Stroke		
226D3/232D3	100 mm	3.9 in
236D3/242D3/246D3/262D3	120 mm	4.7 in
272D3/272D3 XE	120 mm	4.7 in
Bore		
226D3/232D3	84 mm	3.3 in
236D3/242D3/246D3/262D3	94 mm	3.7 in
272D3/272D3 XE	100 mm	3.9 in

*Net power advertised is the power available at the flywheel when the engine is equipped with alternator, air cleaner, muffler/aftertreatment and cooling fan.

Weights*		
Operating Weight		
226D3	2653 kg	5849 lb
232D3	2955 kg	6514 lb
236D3	2979 kg	6567 lb
242D3	3238 kg	7138 lb
246D3	3392 kg	7478 lb
262D3	3763 kg	8296 lb
272D3	4143 kg	9133 lb
272D3 XE	4342 kg	9573 lb

Power Train		
Travel Speed (Forward or Reverse)		
One Speed		
226D3/232D3	12.3 km/h	7.6 mph
236D	11.2 km/h	7.0 mph
242D3	12.1 km/h	7.5 mph
246/262D3	12.5 km/h	7.7 mph
272D3	10.6 km/h	6.6 mph
272D3 XE	11.6 km/h	7.2 mph
Two Speed Option		
226D3/232D3	17.8 km/h	11.1 mph
236D	17.1 km/h	10.6 mph
242D3	18.5 km/h	11.5 mph
246/262D3	17.7 km/h	11.0 mph
272D3	15.1 km/h	9.4 mph
272D3 XE	16.6 km/h	10.3 mph

226D3/232D3/236D3/242D3/246D3/262D3/272D3/272D3 XE Skid Steer Loaders Specifications

Operating Specifications*

Rated Operating Capacity at 50% Tipping Load

226D3	705 kg	1550 lb
232D3	865 kg	1900 lb
236D3	820 kg	1800 lb
242D3	1000 kg	2200 lb
246D3	1000 kg	2200 lb
262D3	1225 kg	2700 lb
272D3	1570 kg	3450 lb
272D3 XE	1680 kg	3700 lb

Rated Operating Capacity with Optional Counterweight

226D3	750 kg	1650 lb
232D3	910 kg	2000 lb
236D3	910 kg	2000 lb
242D3	1090 kg	2400 lb
246D3	1095 kg	2410 lb
262D3	1390 kg	3055 lb
272D3	1675 kg	3690 lb
272D3 XE	1795 kg	3950 lb

Tipping Load

226D3	1410 kg	3100 lb
232D3	1725 kg	3800 lb
236D3	1635 kg	3600 lb
242D3	2000 kg	4400 lb
246D3	2000 kg	4400 lb
262D3	2455 kg	5400 lb
272D3	3135 kg	6900 lb
272D3	3365 kg	7400 lb

Breakout Force Tilt Cylinder

226D3	1806 kg	3892 lb
232D3	1806 kg	3892 lb
236D3	2301 kg	5073 lb
242D3	2283 kg	5032 lb
246D3	3336 kg	7355 lb
262D3	3336 kg	7355 lb
272D3	3376 kg	7443 lb
272D3 XE	3339 kg	7362 lb

Hydraulic System – 226D3 and 232D3

Hydraulic Flow – Standard

Loader Hydraulic Pressure	23 000 kPa	3,336 psi
Loader Hydraulic Flow	69 L/min	18 gal/min
Hydraulic Power (calculated)	26.5 kW	35.5 hp

Hydraulic Flow – High Flow

Maximum Loader Hydraulic Pressure	23 000 kPa	3,336 psi
Maximum Loader Hydraulic Flow	99 L/min	26 gal/min
Hydraulic Power (calculated)	38.0 kW	50.9 hp

Hydraulic System – 236D3 and 242D3

Hydraulic Flow – Standard

Loader Hydraulic Pressure	23 000 kPa	3,336 psi
Loader Hydraulic Flow	76 L/min	20 gal/min
Hydraulic Power (calculated)	29 kW	39 hp

Hydraulic Flow – High Flow

Maximum Loader Hydraulic Pressure	23 000 kPa	3,336 psi
Maximum Loader Hydraulic Flow	112 L/min	30 gal/min
Hydraulic Power (calculated)	43 kW	58 hp

Hydraulic System – 246D3 and 262D3

Hydraulic Flow – Standard

Loader Hydraulic Pressure	23 000 kPa	3,336 psi
Loader Hydraulic Flow	86 L/min	23 gal/min
Hydraulic Power (calculated)	33 kW	44 hp

Hydraulic Flow – High Flow XPS

Maximum Loader Hydraulic Pressure	28 000 kPa	4,061 psi
Maximum Loader Hydraulic Flow	121 L/min	32 gal/min
Hydraulic Power (calculated)	57 kW	76 hp

Hydraulic System – 272D3 and 272D3 XE

Hydraulic Flow – Standard

Loader Hydraulic Pressure	23000 kPa	3336 psi
Loader Hydraulic Flow	76 L/min	20 gal/min
Hydraulic Power (calculated)	29 kW	39 hp

Hydraulic Flow – High Flow XPS

Loader Hydraulic Pressure	23000 kPa	3336 psi
Loader Hydraulic Flow	112 L/min	30 gal/min
Hydraulic Power (calculated)	43 kW	58 hp

Hydraulic Flow – XE

Loader Hydraulic Pressure	28000 kPa	4061 psi
Loader Hydraulic Flow	150 L/min	40 gal/min
Hydraulic Power (calculated)	70 kW	94 hp

226D3/232D3/236D3/242D3/246D3/262D3/272D3/272D3 XE Skid Steer Loaders Specifications

Cab

ROPS	ISO 3471:2008
FOPS	ISO 3449:2005 Level I

Noise Level

Inside Cab**	
226D3, 232D3, 236D3, 242D3, 272D3, 272D3 XE	83 dB(A)
246D3, 262D3	81 dB(A)
Outside Cab***	
226D3, 232D3, 236D3, 242D3, 246D3, 262D3	101 dB(A)
272D3	103 dB(A)
272D3 XE	104 dB(A)

• Cab and Rollover Protective Structures (ROPS) are standard in North America and Europe.

**The declared dynamic operator sound pressure levels per ISO 6396:2008. The measurements were conducted with the cab doors and windows closed and at 70% of the maximum engine cooling fan speed. The sound level may vary at different engine cooling fan speeds.

***The labeled sound power level for the CE marked configurations when measured according to the test procedure and conditions specified in 2000/14/EC.

Air Conditioning System

The air conditioning system on the 226D3, 232D3, 236D3 and 242D3 contains the fluorinated greenhouse gas refrigerant R134a (Global Warming Potential = 1430). The system contains 0.81 kg of refrigerant which has a CO₂ equivalent of 1.158 metric tonnes.

The air conditioning system on the 246D3 and 262D3 contains the fluorinated greenhouse gas refrigerant R134a (Global Warming Potential = 1430). The system contains 1.0 kg of refrigerant which has a CO₂ equivalent of 1.430 metric tonnes.

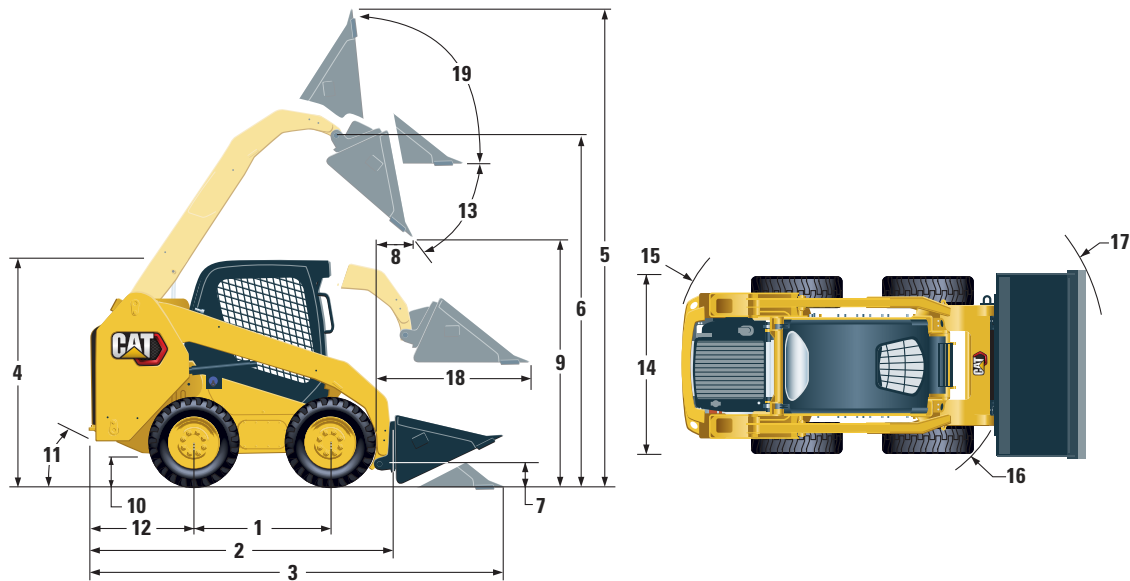
Service Refill Capacities

Chain Box, each side		
226D3/232D3	7 L	1.8 gal
236D3/242D3	8.8 L	2.3 gal
246D3/262D3	12.7 L	3.3 gal
272D3	10.2 L	2.7 gal
Cooling System		
226D3/232D3	12 L	3.2 gal
226D3, 232D3, 236D3, 242D3, 246D3, 262D3	14 L	3.7 gal
272D3	16 L	4.1 gal
Engine Crankcase		
226D3/232D3	10 L	2.6 gal
226D3, 232D3, 236D3, 242D3, 246D3, 262D3	11 L	3 gal
272D3	13 L	3.5 gal
Fuel Tank		
226D3/232D3	57 L	15.1 gal
236D3/242D3	94 L	24.8 gal
246D3/262D3	105 L	27.7 gal
272D3	120 L	31.7 gal
Hydraulic System		
226D3/232D3	45 L	11.9 gal
236D3/242D3	50 L	13.2 gal
246D3/262D3	52 L	13.7 gal
272D3	55 L	14.5 gal
Hydraulic Tank		
226D3/232D3	34 L	9 gal
226D3, 232D3, 236D3, 242D3, 246D3, 262D3, 272D3	39 L	10.3 gal

226D3 Skid Steer Loaders Specifications

Dimensions*

All dimensions are approximate.



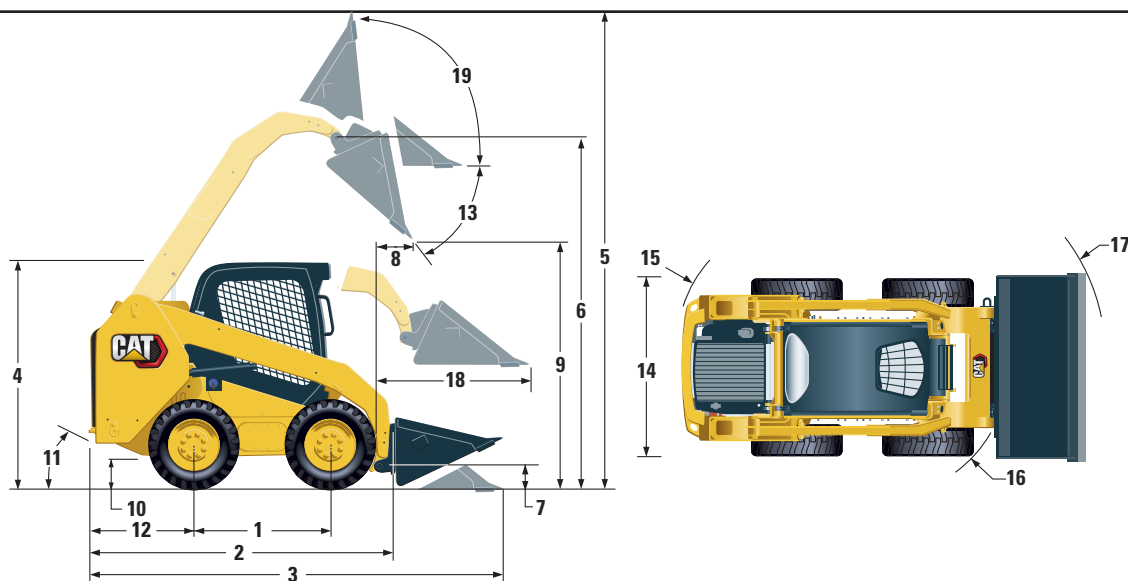
	226D3	
1 Wheelbase	1054 mm	41.5 in
2 Length without Bucket	2524 mm	99.4 in
3 Length with Bucket on Ground	3234 mm	127.3 in
4 Height to Top of Cab	2028 mm	79.8 in
5 Maximum Overall Height	3652 mm	143.8 in
6 Bucket Pin Height at Maximum Lift	2818 mm	110.9 in
7 Bucket Pin Height at Carry Position	215 mm	8.5 in
8 Reach at Maximum Lift and Dump	533 mm	21.0 in
9 Clearance at Maximum Lift and Dump	2077 mm	81.8 in
10 Ground Clearance	175 mm	6.9 in
11 Departure Angle		27.9°
12 Bumper Overhang behind Rear Axle	894 mm	35.2 in
13 Maximum Dump Angle		46.7°
14 Vehicle Width over Tires	1497 mm	58.9 in
15 Turning Radius from Center – Machine Rear	1513 mm	59.6 in
16 Turning Radius from Center – Coupler	1104 mm	43.5 in
17 Turning Radius from Center – Bucket	1977 mm	77.8 in
18 Maximum Reach with Arms Parallel to Ground	1288 mm	50.7 in
19 Rack Back Angle at Maximum Height		88.9°

*Operating Weight, Operating Specifications and Dimensions all based on 75 kg (165 lb) operator, all fluids, single speed, 1576 mm (62 in) low profile bucket, Cat 10 × 16.5 tires, standard flow hydraulics, C1 cab (ROPS, mechanical seat), 850 CCA battery, manual quick coupler, no self level and no optional counterweights (unless otherwise noted).

236D3/246D3 Skid Steer Loaders Specifications

Dimensions*

All dimensions are approximate.



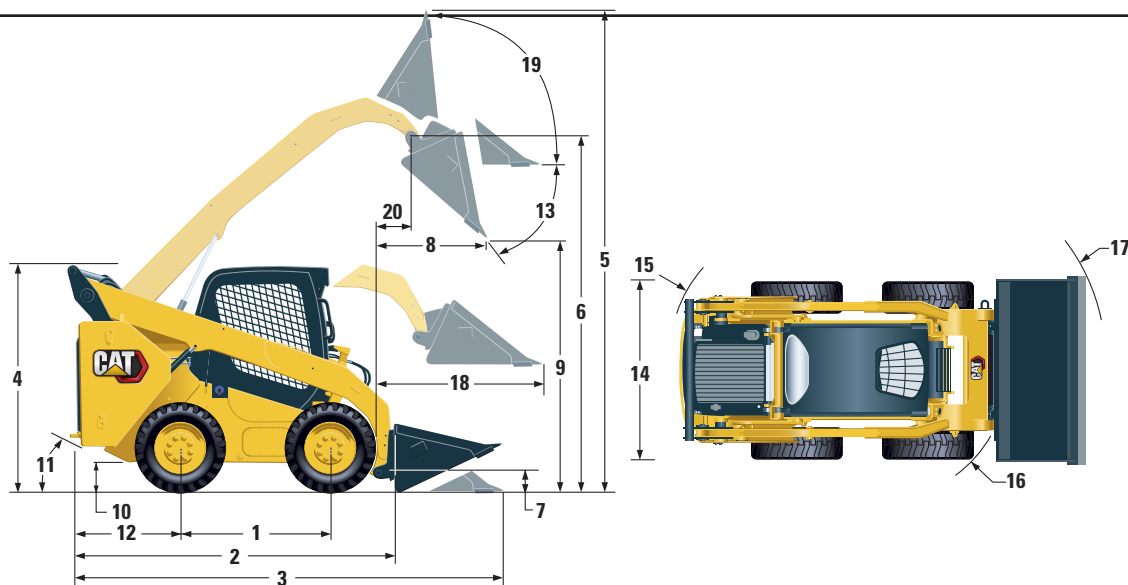
	236D3		246D3	
1 Wheelbase	1105 mm	43.5 in	1249 mm	49.2 in
2 Length without Bucket	2767 mm	108.9 in	2993 mm	117.8 in
3 Length with Bucket on Ground	3487 mm	137.3 in	3708 mm	146.0 in
4 Height to Top of Cab	2082 mm	82.0 in	2110 mm	83.1 in
5 Maximum Overall Height	3977 mm	156.6 in	4032 mm	158.7 in
6 Bucket Pin Height at Maximum Lift	3122 mm	122.9 in	3154 mm	124.2 in
7 Bucket Pin Height at Carry Position	190 mm	7.5 in	200 mm	7.9 in
8 Reach at Maximum Lift and Dump	408 mm	16.0 in	600 mm	23.6 in
9 Clearance at Maximum Lift and Dump	2359 mm	92.9 in	2465 mm	97.1 in
10 Ground Clearance	195 mm	7.7 in	226 mm	8.9 in
11 Departure Angle	26°		26°	
12 Bumper Overhang behind Rear Axle	1021 mm	40.2 in	1083 mm	42.6 in
13 Maximum Dump Angle	48°		39°	
14 Vehicle Width over Tires	1676 mm	66.0 in	1676 mm	66 in
15 Turning Radius from Center – Machine Rear	1639 mm	64.5 in	1806 mm	71.2 in
16 Turning Radius from Center – Coupler	1314 mm	51.8 in	1401 mm	55.2 in
17 Turning Radius from Center – Bucket	2107 mm	83.0 in	2181 mm	85.9 in
18 Maximum Reach with Arms Parallel to Ground	1353 mm	53.3 in	1388 mm	54.6 in
19 Rack Back Angle at Maximum Height	91°		96°	

*Operating Weight, Operating Specifications and Dimensions all based on 75 kg (165 lb) operator, all fluids, one speed, OROPS, 1730 mm (68 in) low profile bucket, Cat 10 x 16.5 tires for a 236D3 and Cat 12 x 16.5 tires for a 246D3, standard flow hydraulics, mechanical suspension seat, no optional counterweights and manual quick coupler (unless otherwise noted).

232D3 Skid Steer Loaders Specifications

Dimensions*

All dimensions are approximate.



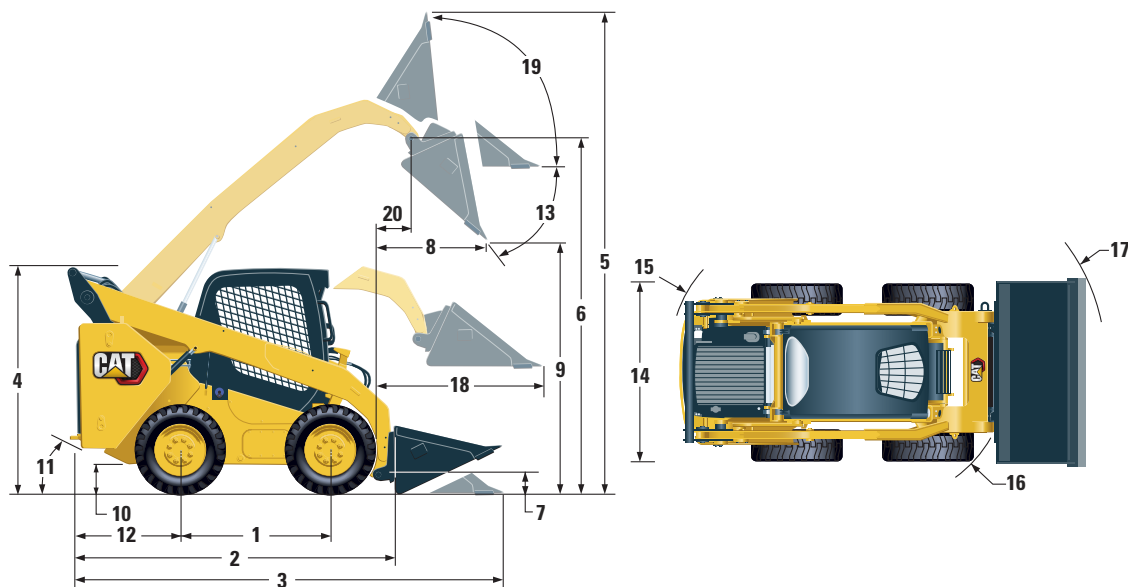
	232D3	
1 Wheelbase	1054 mm	41.5 in
2 Length without Bucket	2523 mm	99.3 in
3 Length with Bucket on Ground	3233 mm	127.3 in
4 Height to Top of Cab	2029 mm	79.9 in
5 Maximum Overall Height	3832 mm	150.9 in
6 Bucket Pin Height at Maximum Lift	3001 mm	118.1 in
7 Bucket Pin Height at Carry Position	214 mm	8.4 in
8 Reach at Maximum Lift and Dump	653 mm	25.7 in
9 Clearance at Maximum Lift and Dump	2254 mm	88.7 in
10 Ground Clearance	170 mm	6.7 in
11 Departure Angle		27.9°
12 Bumper Overhang behind Rear Axle	894 mm	35.2 in
13 Maximum Dump Angle		47.4°
14 Vehicle Width over Tires	1497 mm	58.9 in
15 Turning Radius from Center – Machine Rear	1513 mm	59.6 in
16 Turning Radius from Center – Coupler	1102 mm	43.4 in
17 Turning Radius from Center – Bucket	1976 mm	77.8 in
18 Maximum Reach with Arms Parallel to Ground	1249 mm	49.2 in
19 Rack Back Angle at Maximum Height		88.2°
20 Bucket Pin Reach at Maximum Lift	224 mm	8.8 in

*Operating Weight, Operating Specifications and Dimensions all based on 75 kg (165 lb) operator, all fluids, single speed, 1576 mm (62 in) low profile bucket, Cat 10 × 16.5 tires, standard flow hydraulics, C1 cab (OROPS, mechanical seat), 850 CCA battery, manual quick coupler, no self level and no optional counterweights (unless otherwise noted).

242D3/262D3 Skid Steer Loaders Specifications

Dimensions*

All dimensions are approximate.



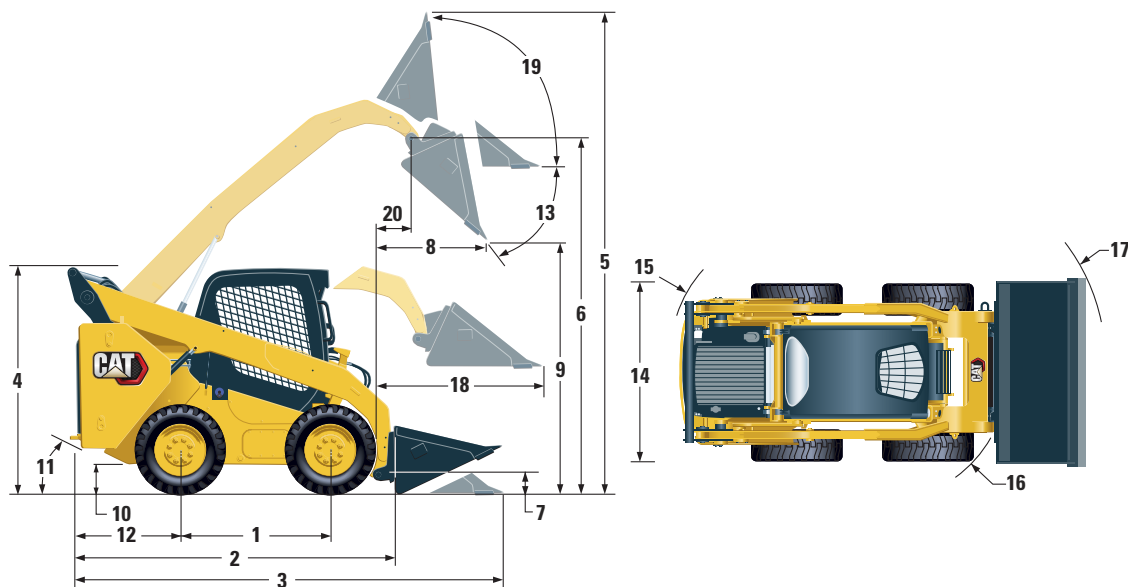
	242D3		262D3	
1 Wheelbase	1105 mm	43.5 in	1249 mm	49.2 in
2 Length without Bucket	2767 mm	108.9 in	2995 mm	117.9 in
3 Length with Bucket on Ground	3487 mm	137.3 in	3714 mm	146.2 in
4 Height to Top of Cab	2111 mm	83.1 in	2110 mm	83.1 in
5 Maximum Overall Height	3917 mm	154.2 in	4008 mm	157.8 in
6 Bucket Pin Height at Maximum Lift	3076 mm	121.1 in	3172 mm	124.9 in
7 Bucket Pin Height at Carry Position	200 mm	7.9 in	200 mm	7.9 in
8 Reach at Maximum Lift and Dump	552 mm	21.7 in	786 mm	30.9 in
9 Clearance at Maximum Lift and Dump	2285 mm	90.0 in	2380 mm	93.7 in
10 Ground Clearance	222 mm	8.7 in	226 mm	8.9 in
11 Departure Angle		27°		26°
12 Bumper Overhang behind Rear Axle	1021 mm	40.2 in	1083 mm	42.6 in
13 Maximum Dump Angle		52°		51°
14 Vehicle Width over Tires	1676 mm	66.0 in	1676 mm	66 in
15 Turning Radius from Center – Machine Rear	1639 mm	64.5 in	1805 mm	71.1 in
16 Turning Radius from Center – Coupler	1314 mm	51.8 in	1401 mm	55.2 in
17 Turning Radius from Center – Bucket	2107 mm	83.0 in	2181 mm	85.9 in
18 Maximum Reach with Arms Parallel to Ground	1249 mm	49.2 in	1293 mm	50.9 in
19 Rack Back Angle at Maximum Height		87°		84°
20 Bucket Pin Reach at Maximum Lift	182 mm	7.2 in	393 mm	15.5 in

*Operating Weight, Operating Specifications and Dimensions all based on 75 kg (165 lb) operator, all fluids, one speed, OROPS, 1730 mm (68 in) low profile bucket, Cat 12 × 16.5 tires on a 242D3 and Cat PC 12 × 16.5 tires on a 262D3, standard flow hydraulics, mechanical suspension seat, no optional counterweights and manual quick coupler (unless otherwise noted).

272D3/272D3 XE Skid Steer Loaders Specifications

Dimensions*

All dimensions are approximate.



	272D3		272D3 XE	
1 Wheelbase	1386 mm	54.6 in	1386 mm	54.6 in
2 Length without Bucket	3242 mm	127.6 in	3226 mm	127.0 in
3 Length with Bucket on Ground	3954 mm	155.7 in	3937 mm	155.0 in
4 Height to Top of Cab	2094 mm	82.4 in	2133 mm	84.0 in
5 Maximum Overall Height	4067 mm	160.1 in	4103 mm	161.5 in
6 Bucket Pin Height at Maximum Lift	3229 mm	127.1 in	3265 mm	128.6 in
7 Bucket Pin Height at Carry Position	198 mm	7.8 in	235 mm	9.3 in
8 Reach at Maximum Lift and Dump	769 mm	30.3 in	736 mm	29.0 in
9 Clearance at Maximum Lift and Dump	2438 mm	96.0 in	2474 mm	97.4 in
10 Ground Clearance	226 mm	8.9 in	263 mm	10.4 in
11 Departure Angle	27°		28°	
12 Bumper Overhang behind Rear Axle	1175 mm	46.2 in	1175 mm	46.2 in
13 Maximum Dump Angle	51°		51°	
14 Vehicle Width over Tires	1829 mm	72.0 in	1930 mm	76.0 in
15 Turning Radius from Center – Machine Rear	1899 mm	74.7 in	1899 mm	74.7 in
16 Turning Radius from Center – Coupler	1482 mm	58.3 in	1466 mm	57.7 in
17 Turning Radius from Center – Bucket	2280 mm	89.8 in	2301 mm	90.6 in
18 Maximum Reach with Arms Parallel to Ground	1282 mm	50.5 in	1246 mm	49.1 in
19 Rack Back Angle at Maximum Height	84°		84°	
20 Bucket Pin Reach at Maximum Lift	374 mm	14.7 in	344 mm	13.5 in
21 Roll Back Angle	28°		28°	

*Operating Weight, Operating Specifications and Dimensions all based on 75 kg (165 lb) operator, all fluids, one speed (272D3) and two speed (272D3 XE), enclosed cab with glass door, side windows, air conditioning, mechanical suspension seat (272D3) and air ride seat (272D3 XE), advanced display, rear view camera (272D3 XE only) standard flow hydraulics (272D3 only), 850 CCA battery (272D3) and 1,000 CCA battery (272D3 XE), 1883 mm (74 in) low profile bucket (272D3) and 2036 mm (80 in) low profile bucket (272D3 XE), no optional counterweights, Cat PC 12 × 16.5 tires (272D3) Cat PC 14 × 17.5 tires (272D3 XE) and manual quick coupler (unless otherwise noted).

226D3/232D3/236D3/242D3/246D3/262D3/272D3/272D3 XE

Feature Availability

 **Standard**

 **Optional**

 **Not Available**

Electrical	226D3	232D3	236D3	242D3	246D3	262D3	272D3	272D3 XE
12V Electrical System	●	●	●	●	●	●	●	●
80 Ampere Alternator	●	●	●	●	●	●	●	●
Ignition Key Start/Stop Switch	●	●	●	●	●	●	●	●
Lights: Gauge Backlighting, Two Rear Tail Lights, Two Rear Halogen Working Lights, Two Adjustable Front Halogen Lights, Dome Light	●	●	●	●	●	●	●	●
Lights: Two Rear LED Working Lights, Two Adjustable Front LED Lights	◐	◐	◐	◐	◐	◐	◐	◐
Lights: Rear, with STOP/TAIL/TURN	◐	◐	◐	◐	◐	◐	◐	◐
Lights: Rear, with STOP/TAIL/TURN. Front Headlights. Front Mirrors.	◐	◐	◐	◐	◐	◐	◐	◐
Backup Alarm	●	●	●	●	●	●	●	●
Heavy Duty Battery, 850 CCA	●	●	●	●	●	●	●	●
Heavy Duty Battery, 1000 CCA	○	○	○	○	○	◐	◐	●
Top and Rear Windows	●	●	●	●	●	●	●	●
Floor mat	●	●	●	●	●	●	●	●
Interior Rearview Mirror	●	●	●	●	●	●	●	●
12 volt Electric Socket	●	●	○	○	○	○	○	○
USB Charging Port (bundled with Advanced Display option only)	◐	◐	●	●	●	●	●	●
Horn	●	●	●	●	●	●	●	●
Hand (Dial) Throttle, Electronic	●	●	●	●	●	●	●	●
Adjustable Joystick Controls (Selectable at Dealer: ISO or H-Pattern)	●	●	●	●	●	●	●	●
Adjustable Joystick Controls (Selectable In-Cab: ISO or H-Pattern)	◐	◐	◐	◐	◐	◐	◐	◐
Hand and Foot Controls	○	○	◐	◐	◐	◐	○	○
Anti-theft Security System with six-button Keypad	●	●	●	●	●	●	●	●
Storage Compartment with Netting	●	●	●	●	●	●	●	●
Engine Block Heater – 120V	◐	◐	◐	◐	◐	◐	◐	◐

Continued on next page

226D3/232D3/236D3/242D3/246D3/262D3/272D3/272D3 XE Skid Steer Loaders Specifications




Standard
◐ **Optional**
○ **Not Available**

Operator Environment	226D3	232D3	236D3	242D3	246D3	262D3	272D3	272D3 XE
Gauges: Fuel Level, Hour Meter	●	●	●	●	●	●	●	●
Operator Warning System Indicators: Air Filter Restriction, Alternator Output, Armrest Raised/Operator Out of Seat, Engine Coolant Temperature, Engine Oil Pressure, Glow Plug Activation, Hydraulic Filter Restriction, Hydraulic Oil Temperature, Park Brake Engaged, Engine Emission System	●	●	●	●	●	●	●	●
Adjustable Vinyl Seat	●	●	●	●	●	●	●	○
Adjustable Vinyl Seat with Suspension	◐	◐	◐	◐	◐	◐	◐	○
Adjustable Vinyl Seat with Air Suspension and Heat	◐	◐	◐	◐	◐	◐	◐	○
Adjustable Cloth Seat with Air Suspension and Heat	◐	◐	◐	◐	◐	◐	◐	●
Fold In Ergonomic Contoured Armrest	●	●	●	●	●	●	●	●
Seat Belt: High Visibility 2"	●	●	●	●	●	●	●	●
Seat Belt: High Visibility 3"	◐	◐	◐	◐	◐	◐	◐	◐
Control Interlock System, when operator leaves seat or armrest raised: Hydraulic System Disables, Hydrostatic Transmission Disables, Parking Brake Engages	●	●	●	●	●	●	●	●
Rops Cab, Open, Tilt Up	●	●	●	●	●	●	●	●
Fops, Level I	●	●	●	●	●	●	●	●
Advanced Display: Full Color, 127 mm (5 in) LCD screen, Advanced Multi-operator Security System, On-screen Adjustments for Implement Response, Hystat Response, and Creep Control; Rearview Camera Included	◐	◐	●	●	●	●	●	●
Radio Ready with Speakers, Wiring, Radio Box, Antenna and Cable, and hardware for installing single DIN radio	◐	◐	◐	◐	◐	◐	◐	◐
Bluetooth Radio with Microphone (AM/FM/Weather Band Receiver with USB and Auxiliary Input Jack)	◐	◐	◐	◐	◐	◐	◐	◐
Powertrain and Performance	226D3	232D3	236D3	242D3	246D3	262D3	272D3	272D3 XE
Cat C2.2, Turbo Diesel Engine, Meeting U.S. EPA Tier 4 Final and EU Stage IIIB Emissions Standards	●	●	○	○	○	○	○	○
Cat C3.3B, Turbo Diesel Engine, Meeting U.S. EPA Tier 4 Final and EU Stage V Emissions Standards	○	○	●	●	●	●	○	○
Cat C3.8, Turbo Diesel Engine, Meeting U.S. EPA Tier 4 Final and EU Stage IV Emissions Standards	○	○	○	○	○	○	●	●
Air Cleaner, Dual Element, Radial Seal	●	●	●	●	●	●	●	●
S-O-S SM Sampling Valve, Hydraulic Oil	●	●	●	●	●	●	●	●
Filter, Cartridge-type, Hydraulic	●	●	●	●	●	●	●	●
Filters, Canister-type Fuel and Water Separator	●	●	●	●	●	●	●	●
Radiator/Hydraulic Oil Cooler (side-by-side)	●	●	●	●	●	●	●	●
Spring Applied, Hydraulically Released Parking Brakes	●	●	●	●	●	●	●	●
Two Speed Travel®	◐	◐	◐	◐	◐	◐	◐	●
Hydrostatic Transmission	●	●	●	●	●	●	●	●

Continued on next page

226D3/232D3/236D3/242D3/246D3/262D3/272D3/272D3 XE

Feature Availability

	 Standard	 Optional	 Not Available								
Other				226D3	232D3	236D3	242D3	246D3	262D3	272D3	272D3 XE
Engine Enclosure, Lockable	●	●	●	●	●	●	●	●	●	●	●
Extended Life Antifreeze, -36° C (-33° F)	●	●	●	●	●	●	●	●	●	●	●
Cat HYDO Advance Hydraulic Oil, -20° C (-4° F) Min	●	●	●	●	●	●	●	●	●	●	●
Cat Cold Operation Hydraulic Oil, -40° C (-40° F) Min	○	○	○	○	○	○	○	○	○	○	○
Machine Tie Down Points (6)	●	●	●	●	●	●	●	●	●	●	●
Support, Lift Arm	●	●	●	●	●	●	●	●	●	●	●
Hydraulic Oil Level Sight Gauge	●	●	●	●	●	●	●	●	●	●	●
Radiator Coolant Level Sight Gauge	●	●	●	●	●	●	●	●	●	●	●
Radiator, Expansion Bottle	●	●	●	●	●	●	●	●	●	●	●
Cat ToughGuard™ Hose	●	●	●	●	●	●	●	●	●	●	●
Auxiliary, Hydraulics, Continuous Flow	●	●	●	●	●	●	●	●	●	●	●
Heavy Duty, Flat Faced Quick Disconnects with Integrated Pressure Release	●	●	●	●	●	●	●	●	●	●	●
Split D-Ring to Route Work Tool Hoses Along Side of Left Lift Arm	●	●	●	●	●	●	●	●	●	●	●
Worktool Quick Coupler: Manual	●	●	●	●	●	●	●	●	●	●	●
Worktool Quick Coupler: Hydraulic	○	○	○	○	○	○	○	○	○	○	○
Electrical Outlet, Beacon	●	●	●	●	●	●	●	●	●	●	●
Beacon, Rotating	○	○	○	○	○	○	○	○	○	○	○
Belly Pan Cleanout	●	●	●	●	●	●	●	●	●	●	●
Variable Speed Demand Fan	●	●	●	●	●	●	●	●	●	●	●
Variable Speed Demand Fan: Reversing	○	○	○	○	○	○	○	○	○	○	○
Product Link PL243, Cellular	●	●	●	●	●	●	●	●	●	●	●
Product Link PL641, Cellular	○	○	○	○	○	○	○	○	○	○	○
Paint, Custom	○	○	○	○	○	○	○	○	○	○	○
Speed Sensitive Ride Control	○	○	○	○	○	○	○	○	○	○	○
Work Tool Return to Dig and Work Tool Positioner	○	○	○	○	○	○	○	○	○	○	○

*Feature Availability Chart is intended for custom order (Lane 3) availabilities and does not consider feature bundling for Pro, Pro Plus, and Ultra packages.

For more complete information on Cat products, dealer services, and industry solutions, visit us on the web at www.cat.com

© 2020 Caterpillar
All rights reserved

Materials and specifications are subject to change without notice. Featured machines in photos may include additional equipment. See your Cat dealer for available options.

CAT, CATERPILLAR, LET'S DO THE WORK, their respective logos, "Caterpillar Corporate Yellow," the "Power Edge" and Cat "Modern Hex" trade dress as well as corporate and product identity used herein, are trademarks of Caterpillar and may not be used without permission.

VisionLink is a trademark of Trimble Navigation Limited, registered in the United States and in other countries.

AEHQ8261 (08-2020)
(Am N, EU, APD,
ANZP – HRC)

