

C9.3 ACERT™

MARINE GENERATOR SET PACKAGE

200 ekW 250 kVA 1500 rpm
250 ekW 313 kVA 1500 rpm



Image shown may not reflect actual engine

SPECIFICATIONS

I-6, 4-Stroke-Cycle-Diesel

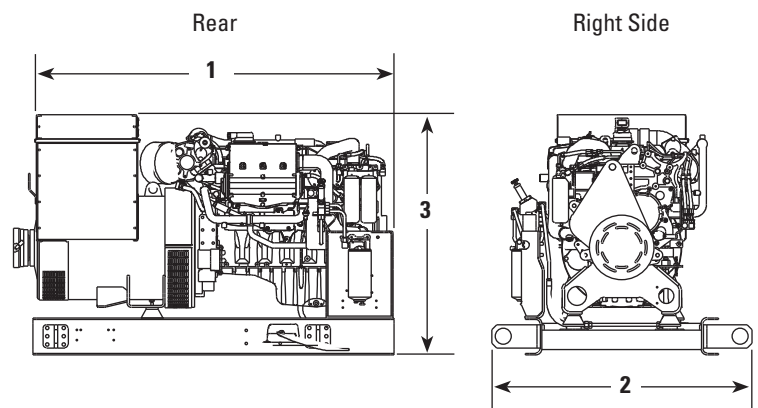
- U.S. EPA Tier 3/IMO II certified/CCNR Stage II
- 9.3 liter (567.5 cu in) displacement
- 50 Hz 1500 rpm rated engine speed
- 115 mm (4.5 in) bore x 149 mm (5.8 in) stroke
- Turbocharged-aftercooled aspiration
- Electronically governed
- Heater exchanger or keel cooled
- Refill capacity
 - Cooling system: 41.3 L (10.9 U.S. gal) – HEX
 - Lube oil system: 24.5 L (6.5 gal)
- Counterclockwise rotation from flywheel end
- 500-hour oil change interval



STANDARD GENERATOR SET EQUIPMENT

- Common rail fuel system
- Plate-type oil cooler
- 3-phase generator with permanent magnet excitation system
- Self-priming rubber impeller sea water pump
- Belt-driven jacket-water pump
- Watercooled exhaust manifold and turbocharger
- Soft engine mount configuration above baseframe
- Available ratings to cover power demand of both 50 Hz and 60 Hz
- Generator space heater
- Voltage regulator
- Current transformers
- Worldwide Extended Service Coverage (ESC) available

DIMENSIONS



ENGINE DIMENSIONS & WEIGHT

(1) Length	2280 mm	89.7 in
(2) Width	1279 mm	50.4 in
(3) Height	1437 mm	56.5 in
Weight, Net Dry (approx)	2495 kg	5500 lb

Note: Do not use these dimensions for installation design. See general dimension drawings for detail.

MARINE ENGINE PERFORMANCE

50 Hz

% Load	EM0787-00					EM0788-00				
	ekW	bhp	g/hr	bkW	g/bkW-hr	ekW	bhp	g/hr	bkW	g/bkW-hr
100	200	286	13.6	213	203.0	250	358	17.0	267	202.3
75	150	214	10.7	160	212.0	188	267	13.2	199	210.7
50	100	144	7.5	108	220.1	125	179	9.1	134	216.3
25	50	74	4.2	55	243.1	63	92	5.1	69	237.8
10	20	31	2.3	23	322.3	25	38	2.6	28	290.0

OPTIONAL ATTACHMENTS

- Air System**
 Air cleaner with integrated fumes disposal
- Control System**
 Extension harnesses, MCS controller (MGCP III B, MGCP II), EMCP 4.2 control panel
- Generators & Generator Attachments**
 RH or LH service, RTD module, potential transformer, power analyzer module, extension box, generator oversizing, IP44
- Fuel System**
 Double wall fuel lines, manual or electric priming pump, simplex or duplex primary fuel filter, simplex or duplex secondary and tertiary fuel filter
- Lube System**
 Simplex or duplex oil filter, manual sump pump and oil drain
- Starting System**
 24V electric starting motor, air starting motor, jacket water heater, charging alternator
- Protection System**
 SOLAS fuel and oil shielding; safety shutdowns for low oil pressure, high water temperature, and overspeed
- Marine Classification Society (MCS) Approval –**
 ABS, BV, DNV, LR, GL, PRS, RINA, CCS, RS

GENERATOR SPECIFICATIONS

Power Factor 0.8
 Frame 44.2/46.2 LC6134B/D
 Insulation Class H
 Temperature Rise Class F
 Winding Pitch Code 2/3
 Terminals 12-lead 2 wires per lead
 Drip Proof IP 23

Air Flow (50 Hz) 0.9 m³/s (1907 cfm)
 Excitation System Permanent Magnet
 Voltage Regulation (steady state) ±0.5%
 Total Harmonic Content LL/LN <4%
 Wave Form: NEMA=TIF <50
 Wave Form: I.E.C.=THF <2%

CAT, CATERPILLAR, their respective logos, ACERT, "Caterpillar Yellow", the "Power Edge" trade dress as well as corporate and product identity used herein, are trademarks of Caterpillar and may not be used without permission.