

# MARINE POWER SOLUTIONS

EDITION 2018 (MAY)



**CATERPILLAR®**

Caterpillar follows a policy of continuous product improvement. For this reason, some material and specifications in the Caterpillar Marine Solutions Guide could change without notice.

For more Information about Caterpillar Marine and current products, as well as legacy products, please visit:

**[www.cat.com/marine](http://www.cat.com/marine)**

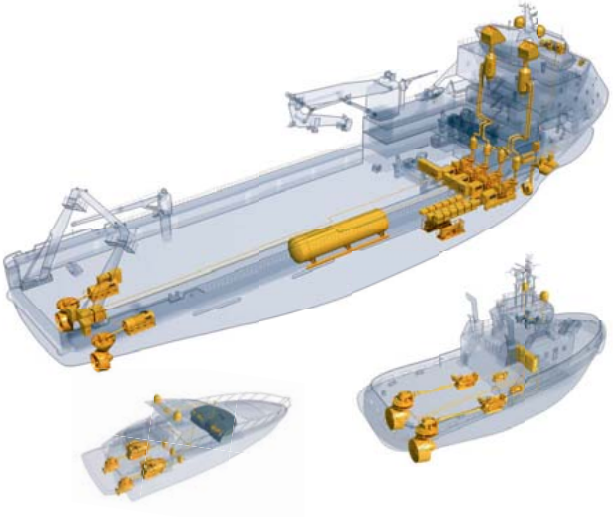
**For Cat<sup>®</sup> Dealers:** Please reference TMI Web for the most current information.

# CONTENTS

	<b>Page</b>
<b>Marine Power Solutions</b> .....	5
<b>Engines and Generator Sets</b> .....	9
Emissions Regulations .....	10
Selective Catalytic Reduction (SCR) System .....	13
Cat <sup>®</sup> High-Speed and Medium-Speed Solutions.....	15
Cat Propulsion Engines.....	16
Cat Generator Sets and Auxiliary Engines.....	48
Cat Controls and Displays .....	73
MaK <sup>™</sup> Medium-Speed and Dual Fuel Solutions .....	77
MaK Propulsion Engines.....	79
MaK Generator Sets.....	105
MaK Controls and Displays .....	131
EMD Medium-Speed and Dual Fuel Solutions.....	145
EMD Propulsion and Dual Fuel Engines.....	146
<b>Propulsion Systems Commercial Applications</b> .....	155
Propulsion Solutions.....	157
MPP - Marine Propulsion Propeller.....	164
MTA - Marine Thruster Azimuth.....	168
MTT - Marine Thruster Transverse .....	177
Remote Control System.....	184
Propulsion Systems Pleasure Craft Applicatios.....	187
<b>System Solutions</b> .....	189
LNG Propulsion and Fuel Gas Systems.....	190
Multi-Engine Optimizer .....	192
Cat Connect .....	193
<b>Customer Support Solutions</b> .....	197
Worldwide Dealer Network .....	198
Customer Service Agreement .....	199
Extended Service Coverage.....	200
Financing.....	201
<b>Glossary</b> .....	203
Addresses.....	204
Marine Rating Definition Propulsion Engines.....	206
Marine Rating Definition Generator Sets and Auxiliary Engines.....	209
Abbreviations .....	210



# MARINE POWER SOLUTIONS



## **Not just Components. Complete Solutions.**

- High-speed and medium-speed propulsion, auxiliary and generator set solutions
- Optional dual fuel, diesel-electric, and hybrid system configurations
- SCR systems
- Complete propulsion systems – controllable pitch propellers, transverse and azimuth thrusters, pleasure craft pods and controls
- LNG propulsion and fuel gas systems – from shore-side bunkering to on-board storage, bunker tanks to LNG fuel gas
- Vessel monitoring and analytics
- Comprehensive global customer support and aftersales solutions

Caterpillar Marine is headquartered in Hamburg, Germany and part of Caterpillar Inc., headquartered in Peoria, Illinois, United States of America.

## **Our Values in Action are Integrity, Excellence, Teamwork, Commitment and Sustainability.**

6 Sigma methodology is our DNA in customer's satisfaction, product development and cost management. The Caterpillar Production System (CPS) enables product quality, cost saving and employee safety. With the Caterpillar Foundation we reflect our philanthropic efforts & corporate social responsibility.

Caterpillar Marine is working with 60 Cat dealers and 20 MaK & EMD dealers globally to ensure customers enduring success. Our product offerings includes diesel & dual fuel engines as propulsion and auxiliary engines, as well as complete generator sets. In addition to the power generation we offer after treatment solutions and complete Fuel Gas Handling Systems.

To ensure manoeuvrability, propulsion and control about your vessel we offer Conventional Propeller Systems in a Controllable Pitch layout and Azimuth Propulsion Systems in a Controllable and Fixed Pitch layout as mechanical, electrical or hybrid driven solutions.

Our technical enabled solutions offer complete integrated monitoring, safety and control system through total vessel analytics solutions to increase up time and efficiency even more. This Marine Asset Intelligence (MAI) gives you advanced predictive analytics and expert advisory services across your vessel or across your entire fleet. Automated analytics identify potential issues before failure. Fleet Advisors provide recommendations for maintenance and operations improvements. We analyse and track equipment condition to optimise maintenance and repair scheduling. We optimise energy use by improving maintenance and operations and ensure safety and regulatory compliance.

The entire solution is tailored to your specific needs, depending on which equipment is included, the types of expert services required, releases metrics, reports, and dashboards for optimum utilisation of your fleet.

All this product and innovations will be delivered through our global dealer network, including complete marine integration solutions. In addition we offer world class marine financing solutions by Cat Financial.

Our mission is to offer advanced marine power solution systems. Our vision is to be a full marine system and service provider. This always with the highest up time and the lowest operational cost.





# ENGINES AND GENERATOR SETS



# Emissions Regulations

Global regulatory agencies, including U.S. Environmental Protection Agency (EPA), EURO Waterways and International Maritime Organization (IMO) have enacted programs to reduce emissions from all diesel vessels.

Caterpillar Marine has a key focus on emissions regulations to ensure that our marine engines meet global requirements. We've long been a leader in solving environmental challenges, allowing customers to focus on business progress.

## U.S. EPA Standards

Recreational Platform	2011	2012	2013	2014	2015	2016	2017	2018	2019
C8.7, C9, C12, C12.9	EPA Tier 2		EPA Tier 3						
C18 - C32	EPA Tier 2		EPA Tier 3						
Commercial Platform	2011	2012	2013	2014	2015	2016	2017	2018	2019
C1.5, C2.2	EPA Tier 2								
C4.4, C7.1, C9.3, C12 (<600 kW) (>600 kW <3700 kW)	EPA Tier 2								
C9.3, C12, C15, C18, & C32 (<600 kW)	EPA Tier 2								
C18 & C32 (<600 kW <1000 kW) (EPA Tier 4 Standard date Oct. 1, 2017)	EPA Tier 2								
3500 & C32 (<1000 kW <1400 kW)	EPA Tier 2								
3500 (<1400 kW <2000 kW)	EPA Tier 2								
3500 & C175 (<2000 kW <3700 kW)	EPA Tier 2								
C280 (<2000 kW <3300 kW)	EPA Tier 2								
C280 (<3300 kW <3700 kW)	EPA Tier 2								
C280 (>3700 kW) (Interim end date Dec. 31, 2016)	EPA Tier 2								

## U.S. EPA Regulations

- NC** Not U.S. EPA Marine Certified for use in the U.S. or Canada.
- T3C** Meets U.S. EPA Marine Tier 3 Commercial standards.
- T3R** Meets U.S. EPA Marine Tier 3 Recreational standards.
- T3CR** Meets U.S. EPA Marine Tier 3 Commercial standards and U.S. EPA Marine Tier 3 Recreational standards.
- T4C** Meets U.S. EPA Marine Tier 4 Final Commercial standards.
- Emergency** Meets U.S. EPA Marine Tier 2 or Tier 3, as applicable, that otherwise must meet Tier 4.

## Canada Regulations

As of January 1, 2016 Category 2 engines (7 to 30 l/cylinder) on Canadian flagged vessels must meet U.S. EPA requirements or have an equivalent certificate that has been provided by another country. All other marine engines must meet IMO requirements for vessels constructed after December 31, 2010. Engines on vessels with keel laid in 2017 with combined propulsion power < 750 kW are exempt from IMO III.

## IMO Certification

Tier	Date	NO <sub>x</sub> Limit (g/kWh)		
		n < 130	130 ≤ n < 2000	n ≥ 2000
Tier I	2000	17.0	$45 \cdot n^{-0.2}$	9.8
Tier II	2011	14.4	$44 \cdot n^{-0.23}$	7.7
Tier III	2016*	3.4	$9 \cdot n^{-0.2}$	2.0

## IMO Certification

**IMO I** — Meet IMO emissions standards for the year 2000 as defined by Regulation 13 of Annex VI to the International Convention for the Prevention of Pollution from Ships, 1973, as modified by the protocol of 1997. Applies to specific engines in vessels with a keel lay date from January 1, 2000 until December 31, 2010; other rules may apply.

**IMO II** — Emissions data measurement is consistent with the procedures described in the NO<sub>x</sub> Technical Code 2008. The engine exhaust emissions meet the International Maritime Organization's Regulation 13 of Revised Annex VI to the MARPOL Convention. Applies to engines greater than 130 kW on vessels flagged in countries party to the MARPOL Annex VI Convention and the vessel is constructed after December 31, 2010. IMO II typically applies outside of NO<sub>x</sub> Emissions Control Areas (NO<sub>x</sub> ECA). See IMO.org "status of conventions" for a current list of nations enforcing MARPOL Annex VI. Other rules may apply.

**IMO III** — Emissions data measurement is consistent with the procedures described in the NO<sub>x</sub> Technical Code 2008. The engine exhaust emissions meet the International Maritime Organization's Regulation 13 of Revised Annex VI to the MARPOL Convention. IMO III applies to NO<sub>x</sub> Emission Control Areas (NO<sub>x</sub> ECA) defined areas. Other rules may apply.

**NST** — Engines  $\leq$  130 kW are not subject to IMO regulations.

## **EU Certification**

### **Commercial Craft Directive 97/68/EC (EU Stage IIIA)**

This directive is in effect and applies to all propulsion and auxiliary engines. Caterpillar has certified some engines with a rated power of greater than 560 kW to this standard. Most of these are to be used for inland waterway vessels. These engines also became effective by reciprocity agreement with CCNR Stage II, on July 1, 2007. (97/68 directive was repealed January 1, 2017 although 97/68 (IIIA) standards apply to marine engines until Stage V comes into effect January 1, 2019 for  $<$  300 kW and January 1, 2020 for  $\geq$  300 kW and all references to 97/68 are now references to EU 2016/1628 (Stage V)).

### **Central Commission for Navigation on the Rhine**

Commercial Craft — CCNR Stage II diesel engine emissions limits became effective July 1, 2007; this directive applies to engines with a rated power at or above 37 kW. The emissions requirements of CCNR expire with the implementation of Stage V as noted above.

## **Engine Certification Descriptions**

**CC2** Meets CCNR Stage II

**IW** Meets EU Stage IIIA or referred to as, Inland Waterway Commercial Craft Directive, meaning the same as Commercial Craft Directive 97/68/EC, now EU 2016/1628 (EU Stage IIIA). Some engine models and ratings will have (CCNR) or (EU Stage IIIA).

**NC** Not Certified for specific regulations.

**NST** Engines  $\leq$  19 kW are not subject to CCNR legislation.

**RCD** Recreational Craft Directive, meets 2013/53/EU. This directive is in effect and applies to all recreational engines used in the European Union areas.

**EUV** Engines meeting stage V.

**C-I** Engines meeting China inland water regulations.

**C-II**

**12**

# Selective Catalytic Reduction (SCR) System

A simple technical solution can help you meet today's stringent Maritime emission standards.

The easy-to-install Cat SCR System is an exhaust gas aftertreatment solution compliant with U.S. Environmental Protection Agency (EPA) Tier 4 and International Maritime Organization (IMO) Tier III emission standards. It is a sustainable solution to reduce NO<sub>x</sub> emissions without sacrificing Caterpillar's marine engine efficiency, durability and reliability that our customers are used to.

Regional initiatives from environmentally friendly governments are already in effect with incentives benefitting ship owners who invest in NO<sub>x</sub> emissions reduction technology.

Caterpillar chose to take part in this environmentally friendly strategy.

## Features and Benefits

- Designed for NO<sub>x</sub> emissions reduction in line with U.S. EPA Tier 4 and IMO III requirements
- Compact package from one single source
- Available for newbuilds and retrofits
- Easy to install with minimum impact to vessel design
- Common control and monitoring system for reliable and safe operation
- Global dealer network for installation and service in any location

## Clean Emission Module (CEM)

Caterpillar designed the SCR System for Cat and MaK marine applications with a compact and easy to install Clean Emission Module (CEM). You will benefit from an optimally matched system with minimum impact to vessel design. Thus, we offer three different CEM configurations to suit all markets and vessel types.

### U-Flow and Z-Flow

Designed for Cat high-speed engines:  
Cat C32, 3500 series, C175



Example:  
3500 Clean Emission Module  
(U-Flow configuration)



Example:  
C32 Clean Emission Module  
(Z-Flow configuration)



Example:  
Dosing Cabinet

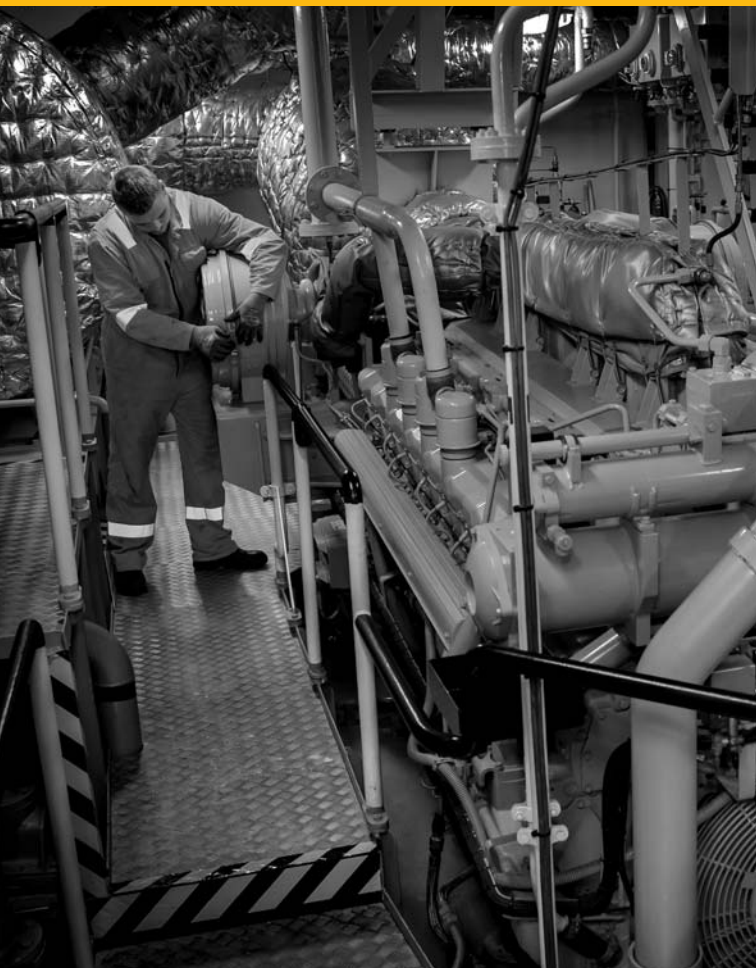
### Vertical Stack

Designed for Cat and MaK medium-speed  
and dual fuel engines:  
Cat 280  
MaK M 20, M 25, M 32, M 43  
MaK M 34, M 46



The Cat SCR System is available for newbuilds and retrofits.  
Contact your local dealer for more information.

# Cat High-Speed and Medium-Speed Solutions



# Cat Propulsion Engines



Caterpillar Marine offers a complete range of conventional and electronic propulsion solutions spanning across commercial and leisure applications. With power ranging from 209 kW (280 bhp) to 5650 kW (7577 bhp), there are Cat high-speed and medium-speed propulsion solutions for you.



Whatever the application, and whatever the solution, our products are renowned for not only reliability, durability and efficiency, but also for design and manufacturing innovation. They deliver the advanced control that vessel operators need to maximize power and efficiency, and the enhanced monitoring that ensures peace of mind. By leveraging our ACERT™ and Cat Common Rail technologies, our electronic engines are designed to meet all the varying global emission standards.



We're built to keep you working – or having fun – on the water.



# C7.1

Electronic Control System

## PROPULSION ENGINE (High Performance Applications)

### RATINGS AND FUEL CONSUMPTION

	mhp	bhp	bkW	rpm	U.S. g/h	g/bkW-hr	EPA	IMO	EU
<b>E*</b>	406	400	298	2900	21.8	227	T3R	II	IW
<b>E</b>	456	450	336	2900	24.4	228	T3R	II	IW
<b>E</b>	507	500	373	2900	27.3	232	T3R	II	IW

\* 300 bkW and lower CCNR2 ratings will not be available after December 2018. Contact your local dealer for availability.

### SPECIFICATIONS

In-line 6, 4-Stroke-Cycle Diesel		
<b>Aspiration</b>	TA	
<b>Bore x Stroke</b>	4.13 x 5.31 in	105 x 135 mm
<b>Displacement</b>	428 cu in	7.01 liter
<b>Rotation (from flywheel end)</b>	Counterclockwise	
<b>Engine dry weight (approx)</b>	1676 lb	760 kg

### DIMENSIONS

	LE	H	WE
<b>min.</b>	43.1 in/1095 mm	34.5 in/876 mm	31.4 in/798 mm
<b>max.</b>	43.1 in/1095 mm	34.5 in/876 mm	31.4 in/798 mm

# C7.1

## PROPULSION ENGINE (Commercial Applications)

### RATINGS AND FUEL CONSUMPTION

	mhp	bhp	bkW	rpm	U.S. g/h	g/bkW-hr	EPA	IMO	EU
<b>B*</b>	284	280	209	2300	14.9	226	T3C	II	IW
<b>C*</b>	355	350	261	2500	18.3	222	T3C	II	IW
<b>D*</b>	406	400	298	2600	20.3	223	T3C	II	IW
<b>D</b>	431	425	317	2700	22.9	226	T3C	II	IW

\* 300 bkW and lower CCNR2 ratings will not be available after December 2018. Contact your local dealer for availability.

EU Stage V product is not expected to be available in 2018.

### SPECIFICATIONS

In-line 6, 4-Stroke-Cycle Diesel		
<b>Aspiration</b>	TA	
<b>Bore x Stroke</b>	4.13 x 5.31 in	105 x 135 mm
<b>Displacement</b>	428 cu in	7.01 liter
<b>Rotation (from flywheel end)</b>	Counterclockwise	
<b>Engine dry weight (approx)</b>	1676 lb	760 kg

### DIMENSIONS

	LE	H	WE
<b>min.</b>	43.1 in/1095 mm	34.5 in/876 mm	31.4 in/798 mm
<b>max.</b>	43.1 in/1095 mm	34.5 in/876 mm	31.4 in/798 mm

# C8.7

## PROPULSION ENGINE

### RATINGS AND FUEL CONSUMPTION

	mhp	bhp	bkW	rpm	U.S. g/h	g/bkW-hr	EPA	IMO	EU
<b>E</b>	650	641	478	2300	33.0	217	T3R	II	IW

### SPECIFICATIONS

In-line 6, 4-Stroke-Cycle Diesel		
<b>Aspiration</b>	TSA	
<b>Bore x Stroke</b>	4.6 x 5.3 in	117 x 135 mm
<b>Displacement</b>	531 cu in	8.7 liter
<b>Rotation (from flywheel end)</b>	Counterclockwise	
<b>Engine dry weight (approx)</b>	2400 lb	1089 kg

### DIMENSIONS

	LE	H	WE
<b>min.</b>	47.9 in/1218 mm	38.7 in/984 mm	34.7 in/881 mm
<b>max.</b>	47.9 in/1218 mm	38.7 in/984 mm	34.7 in/881 mm

# C9.3

## PROPULSION ENGINE

### RATINGS AND FUEL CONSUMPTION

	mhp	bhp	bkW	rpm	U.S. g/h	g/bkW-hr	EPA	IMO	EU
<b>B*</b>	381	375	280	1800	19.3	219.1	T3C	II	IW
<b>C</b>	421	416	310	2100	21.5	220.4	T3C	II	IW
<b>D</b>	483	476	355	2300	24.9	222.3	T3C	II	IW

\* 300 bkW and lower CCNR2 ratings will not be available after December 2018. Contact your local dealer for availability.

### SPECIFICATIONS

In-line 6, 4-Stroke-Cycle Diesel		
<b>Aspiration</b>	TA	
<b>Bore x Stroke</b>	4.53 x 5.87 in	115 x 149 mm
<b>Displacement</b>	568 cu in	9.3 liter
<b>Rotation (from flywheel end)</b>	Counterclockwise	
<b>Engine dry weight (approx)</b>	2083 - 2474 lb	945 - 1122 kg

### DIMENSIONS

	LE	H	WE
<b>min.</b>	57.2 in/1452 mm	43.0 in/1093 mm	38.5 in/978 mm
<b>max.</b>	57.2 in/1452 mm	43.0 in/1093 mm	38.5 in/978 mm

# C12

Electronic Control System

## PROPULSION ENGINE

### RATINGS AND FUEL CONSUMPTION

	mhp	bhp	bkW	rpm	U.S. g/h	g/bkW-hr	EPA	IMO	EU
<b>A</b>	345	340	254	1800	16.6	208.3	NC	II	NC
<b>B</b>	390	385	287	1800	18.6	205.7	NC	II	NC
<b>C</b>	460	454	339	2100	22.0	205.9	NC	II	NC
<b>C</b>	497	490	366	2300	24.0	208.8	NC	I	NC
<b>D</b>	578	570	425	2300	27.9	208.8	NC	I	NC
<b>E</b>	609	600	448	2300	29.3	208.1	NC	I	NC
<b>E</b>	669	660	492	2300	34.1	220.0	NC	II	NC
<b>E</b>	715	705	526	2300	36.5	220.3	NC	II	NC

### SPECIFICATIONS

In-line 6, 4-Stroke-Cycle Diesel		
<b>Aspiration</b>	TA	
<b>Bore x Stroke</b>	5.1 x 5.9 in	130 x 150 mm
<b>Displacement</b>	732 cu in	12 liter
<b>Rotation (from flywheel end)</b>	Counterclockwise	
<b>Engine dry weight (approx)</b>	2588 lb	1174 kg

### DIMENSIONS

	LE	H	WE
<b>min.</b>	62.0 in/1574 mm	39.5 in/1005 mm	38.1 in/969 mm
<b>max.</b>	62.0 in/1574 mm	39.5 in/1005 mm	38.1 in/969 mm

# C12.9

## PROPULSION ENGINE

### RATINGS AND FUEL CONSUMPTION

	mhp	bhp	bkW	rpm	U.S. g/h	g/bkW-hr	EPA	IMO	EU
<b>E</b>	850	838	625	2300	43.3	220.1	T3R	II	IW
<b>E</b>	1000	985	735	2300	50.7	218.9	T3R	II	IW

### SPECIFICATIONS

In-line 6, 4-Stroke-Cycle Diesel		
<b>Aspiration</b>	TA/TSA	
<b>Bore x Stroke</b>	5.31 x 5.9 in	135 x 150 mm
<b>Displacement</b>	787 cu in	12.9 liter
<b>Rotation (from flywheel end)</b>	Counterclockwise	
<b>Engine dry weight (approx)</b>	3635 - 3686 lb	1649 - 1672 kg

### DIMENSIONS

	LE	H	WE
<b>min.</b>	57.6 in/1463 mm	42.7 in/1085 mm	43.7 in/1110 mm
<b>max.</b>	57.6 in/1463 mm	42.7 in/1085 mm	43.7 in/1110 mm

# 3406C

## PROPULSION ENGINE

### RATINGS AND FUEL CONSUMPTION

	mhp	bhp	bkW	rpm	U.S. g/h	g/bkW-hr	EPA	IMO	EU
<b>A</b>	370	365	272	1800	17.8	208.0	NC	NC	NC
<b>B</b>	406	400	298	1800	19.5	208.0	NC	NC	NC

### SPECIFICATIONS

In-line 6, 4-Stroke-Cycle Diesel		
<b>Aspiration</b>	TA	
<b>Bore x Stroke</b>	5.4 x 6.5 in	137.2 x 165.1 mm
<b>Displacement</b>	891 cu in	14.6 liter
<b>Rotation (from flywheel end)</b>	Counterclockwise	
<b>Engine dry weight (approx)</b>	2921 lb	1325 kg

### DIMENSIONS

	LE	H	WE
<b>min.</b>	57.3 in/1454.2 mm	50.3 in/1278.5 mm	36.0 in/913.5 mm
<b>max.</b>	57.3 in/1454.2 mm	50.3 in/1278.5 mm	36.0 in/913.5 mm

# C18

## PROPULSION ENGINE (Commercial Applications)

### RATINGS AND FUEL CONSUMPTION

#### IMO Tier II

	mhp	bhp	bkW	rpm	U.S. g/h	g/bkW-hr	EPA	IMO	EU
<b>A</b>	460	454	339	1800	22.6	212.1	NC	II	IW
<b>A</b>	485	479	357	1800	23.7	211.3	NC	II	IW
<b>A</b>	608	600	447	1800	30.0	213.1	NC	II	IW
<b>B</b>	560	553	412	2100	28.7	221.3	NC	II	IW
<b>B</b>	680	670	500	2100	35.2	223.8	NC	II	IW
<b>C</b>	725	715	533	2100	37.6	223.9	NC	II	IW
<b>D<sup>2</sup></b>	885	873	651	2200	45.0	219.3	NC	II	IW

#### U.S. EPA Tier 3 and IMO Tier II

	mhp	bhp	bkW	rpm	U.S. g/h	g/bkW-hr	EPA	IMO	EU
<b>A</b>	475	469	350	1800	24.5	222.0	T3C	II	IW
<b>A</b>	608	600	447	1800	30.7	218.5	T3C	II	IW
<b>B<sup>1</sup></b>	680	670	500	1800-2100	34.7	223.6	T3C	II	IW
<b>C<sup>1</sup></b>	725	715	533	1800-2100	37.2	221.7	T3C	II	IW
<b>D</b>	814	803	599	2100	41.8	221.6	T3C	II	IW

<sup>1</sup> Wide Operating Speed Range (WOSR)

Heat Exchanger (32°C Sea Water Temp), Keel Cooled (52°C SCAC Temp)

<sup>2</sup> Sea Water Aftercooled

(continued)



# C18

## PROPULSION ENGINE (Commercial Applications)

*(continued)*

### SPECIFICATIONS

In-line 6, 4-Stroke-Cycle Diesel		
<b>Aspiration</b>	TA, TTA	
<b>Bore x Stroke</b>	5.7 x 7.2 in	145 x 183 mm
<b>Displacement</b>	1106 cu in	18.1 liter
<b>Rotation (from flywheel end)</b>	Counterclockwise	
<b>Engine dry weight (approx)</b>	4000 - 4299 lb	1814 - 1950 kg

### DIMENSIONS

	LE	H	WE
<b>min.</b>	73.0 in/1854 mm	47.2 in/1198 mm	44.6 in/1134 mm
<b>max.</b>	76.0 in/1931 mm	51.2 in/1300 mm	47.4 in/1204 mm

# C18

Electronic Control System

## PROPULSION ENGINE (High Performance Applications)

### RATINGS AND FUEL CONSUMPTION

U.S. EPA Tier 3 and IMO Tier II

	mhp	bhp	bkW	rpm	U.S. g/h	g/bkW-hr	EPA	IMO	EU
E	1015	1001	747	2300	53.8	228.9	T3R	II	IW
E	1150	1136	847	2300	58.6	219.8	T3R	II	IW

### SPECIFICATIONS

In-line 6, 4-Stroke-Cycle Diesel		
Aspiration	TA, TTA	
Bore x Stroke	5.7 x 7.2 in	145 x 183 mm
Displacement	1106 cu in	18.1 liter
Rotation (from flywheel end)	Counterclockwise	
Engine dry weight (approx)	4000 - 4299 lb	1814 - 1950 kg

### DIMENSIONS

	LE	H	WE
min.	73.0 in/1854 mm	47.2 in/1198 mm	44.6 in/1134 mm
max.	76.0 in/1931 mm	51.2 in/1300 mm	47.4 in/1204 mm

# C32

## PROPULSION ENGINE (Commercial Applications)

### RATINGS AND FUEL CONSUMPTION

#### IMO Tier II/IMO Tier III

	mhp	bhp	bkW	rpm	U.S. g/h	g/bkW-hr	EPA	IMO	EU
<b>A<sup>1</sup></b>	669	660	492	1600-1800	32.3	208.4	NC	II	IW
<b>A<sup>1</sup></b>	760	750	559	1600-1800	36.2	205.8	NC	II	IW
<b>A<sup>1</sup></b>	760	750	559	1600-1800	37.5	213.2	NC	II/III	NC
<b>A<sup>1</sup></b>	862	850	634	1600-1800	41.0	205.3	NC	II	IW
<b>A</b>	964	950	709	1600	45.2	202.7	NC	II	IW
<b>A<sup>1</sup></b>	1014	1000	746	1600-1800	48.1	204.9	NC	II	IW
<b>A<sup>1</sup></b>	1014	1000	746	1600-1800	49.8	212.1	NC	II/III	NC
<b>B<sup>1</sup></b>	1217	1200	895	1800-2000	59.3	210.5	NC	II	IW
<b>B<sup>1</sup></b>	1217	1200	895	1800-2000	59.3	210.5	NC	II/III	NC
<b>B</b>	1319	1300	970	2100	64.1	211.2	NC	II	IW
<b>B</b>	1319	1300	970	2100	64.6	211.4	NC	II/III	NC
<b>C</b>	1319	1300	970	1800	62.5	204.6	NC	II	IW
<b>C<sup>4</sup></b>	1319	1300	970	1800	62.5	204.5	NC	II/III	NC
<b>C<sup>1</sup></b>	1470	1450	1081	2000-2300	77.2	226.8	NC	II	IW
<b>C<sup>1</sup></b>	1470	1450	1081	2000-2300	76.8	225.6	NC	II/III	NC
<b>D<sup>1,2</sup></b>	1622	1600	1193	2000-2300	82.0	218.2	NC	II	IW

<sup>1</sup> Wide Operating Speed Range (WOSR)

Heat Exchanger (32°C Sea Water Temp), Keel Cooled (52°C SCAC Temp)

<sup>2</sup> Sea Water Aftercooled

<sup>4</sup> Contact your local dealer for availability on U.S. EPA Tier 4 and IMO III ratings.

(continued)

# C32

## PROPULSION ENGINE (Commercial Applications)

(continued)

### RATINGS AND FUEL CONSUMPTION

#### U.S. EPA Tier 3 and IMO Tier II

	mhp	bhp	bkW	rpm	U.S. g/h	g/bkW-hr	EPA	IMO	EU
<b>A<sup>1</sup></b>	760	750	559	1600-1800	37.5	213.2	T3C	II	IW
<b>A<sup>1</sup></b>	811	800	597	1600-1800	40.3	214.6	T3C	II	IW

#### U.S. EPA Tier 4 and IMO Tier III

	mhp	bhp	bkW	rpm	U.S. g/h	g/bkW-hr	EPA	IMO	EU
<b>A<sup>1</sup></b>	1014	1000	746	1600-1800	49.6	210.9	T4C	III	IW
<b>B<sup>1</sup></b>	1217	1200	895	1800-2100	59.1	209.8	T4C	III	IW
<b>C<sup>1</sup></b>	1319	1300	970	1800-2100	64.3	210.7	T4C	III	IW
<b>C<sup>1</sup></b>	1470	1450	1081	2050-2150	73.4	215.6	T4C	III	IW

<sup>1</sup> Wide Operating Speed Range (WOSR)

Heat Exchanger (32°C Sea Water Temp), Keel Cooled (52°C SCAC Temp)

<sup>2</sup> Sea Water Aftercooled

<sup>4</sup> Contact your local dealer for availability on U.S. EPA Tier 4 and IMO III ratings.

(continued)

# C32

## PROPULSION ENGINE (Commercial Applications)

(continued)

### SPECIFICATIONS

Vee 12, 4-Stroke-Cycle Diesel		
<b>Aspiration</b>	TTA	
<b>Bore x Stroke</b>	5.71 x 6.38 in	145 x 162 mm
<b>Displacement</b>	1659 cu in	32.1 liter
<b>Rotation (from flywheel end)</b>	Counterclockwise	
<b>Engine dry weight (approx)</b>	6950 - 7160 lb	3152 - 3248 kg

### DIMENSIONS

	LE	H	WE
<b>min.</b>	83.5 in/2121 mm	60.9 in/1547 mm	60.17 in/1528 mm
<b>max.</b>	89.9 in/2284 mm	62.5 in/1587 mm	60.17 in/1528 mm

# C32

## PROPULSION ENGINE (High Performance Applications)

### RATINGS AND FUEL CONSUMPTION

U.S. EPA Tier 3 and IMO Tier II/III

	mhp	bhp	bkW	rpm	U.S. g/h	g/bkW-hr	EPA	IMO	EU
<b>D</b>	1622	1600	1193	2300	86.3	229.7	T3R	II	IW
<b>D</b>	1622	1600	1193	2300	86.3	229.7	NC	II/III	NC
<b>E</b>	1724	1700	1268	2300	91.2	228.4	T3R	II	IW
<b>E</b>	1825	1800	1342	2300	95.4	225.7	T3R	II	IW
<b>E</b>	1925	1900	1418	2300	100.9	226.1	T3R	II	IW

### SPECIFICATIONS

Vee 12, 4-Stroke-Cycle Diesel		
<b>Aspiration</b>	TTA	
<b>Bore x Stroke</b>	5.71 x 6.38 in	145 x 162 mm
<b>Displacement</b>	1959 cu in	32.1 liter
<b>Rotation (from flywheel end)</b>	Counterclockwise	
<b>Engine dry weight (approx)</b>	6780 lb	3075 kg

### DIMENSIONS

	LE	H	WE
<b>min.</b>	82.9 in/2106 mm	56.9 in/1445 mm	58.3 in/1482 mm
<b>max.</b>	82.9 in/2106 mm	56.9 in/1445 mm	58.3 in/1482 mm

# 3508C

Electronic Control System

## PROPULSION ENGINE

### RATINGS AND FUEL CONSUMPTION

	mhp	bhp	bkW	rpm	U.S. g/h	g/bkW-hr	EPA	IMO	EU
<b>A</b>	786	775	578	1200	36.9	206.1	NC	II	IW
<b>A</b>	1015	1000	746	1600	48.9	208.3	NC	II	IW
<b>B</b>	862	850	634	1200	40.4	202.8	NC	II	IW
<b>B</b>	1065	1050	783	1600	51.6	209.4	NC	II	IW
<b>C</b>	913	900	671	1200	42.9	203.4	NC	II	IW
<b>C</b>	1115	1100	820	1600	54.2	210.1	NC	II	IW

### SPECIFICATIONS

Vee 8, 4-Stroke-Cycle Diesel		
<b>Aspiration</b>	TTA	
<b>Bore x Stroke</b>	6.7 x 7.5 in	170 x 190 mm
<b>Displacement</b>	2107 cu in	34.5 liter
<b>Rotation (from flywheel end)</b>	Counterclockwise or clockwise	
<b>Engine dry weight (approx)</b>	10,935 lb	4960 kg

### DIMENSIONS

	LE	H	WE
<b>min.</b>	83.4 in/2117 mm	72.0 in/1829 mm	67.0 in/1703 mm
<b>max.</b>	83.4 in/2117 mm	72.0 in/1829 mm	67.0 in/1703 mm

# 3512C

Electronic Control System

## PROPULSION ENGINE

### RATINGS AND FUEL CONSUMPTION

	mhp	bhp	bkW	rpm	U.S. g/h	g/bkW-hr	EPA	IMO	EU
<b>A</b>	1298	1280	955	1600	61.3	204.0	NC	II	IW
<b>A</b>	1318	1300	969	1200	64.3	210.6	NC	II	IW
<b>A</b>	1420	1400	1044	1600	66.6	202.5	NC	II	IW
<b>A</b>	1520	1500	1118	1800	70.3	200.1	NC	II	IW
<b>A<sup>1</sup></b>	1521	1500	1118	1200	71.5	203.0	NC	II	IW
<b>A<sup>1</sup></b>	1699	1676	1250	1600	79.7	202.6	NC	II	IW
<b>A<sup>1</sup></b>	1836	1810	1350	1600	84.7	207.1	NC	II	IW
<b>B</b>	1378	1359	1014	1600	64.8	203.0	NC	II	IW
<b>B</b>	1420	1400	1044	1200	69.1	210.1	NC	II	IW
<b>B</b>	1521	1500	1118	1600	71.1	201.9	NC	II	IW
<b>B</b>	1597	1575	1174	1800	73.8	199.9	NC	II	IW
<b>B<sup>1</sup></b>	1622	1600	1194	1200	76.2	202.8	NC	II	IW
<b>B<sup>1</sup></b>	1774	1749	1305	1600	82.5	200.7	NC	II	IW
<b>B<sup>1</sup></b>	1938	1911	1425	1600	89.0	208.5	NC	II	IW
<b>B<sup>1</sup></b>	2282	2250	1678	1800	111.0	209.9	NC	II	IW
<b>C</b>	1429	1409	1051	1600	67.0	202.4	NC	II	IW
<b>C</b>	1521	1500	1118	1200	74.1	210.3	NC	II	IW
<b>C</b>	1622	1600	1194	1600	70.4	201.7	NC	II	IW
<b>C</b>	1673	1650	1230	1800	77.2	199.6	NC	II	NC
<b>C<sup>1</sup></b>	1723	1700	1268	1200	83.4	204.0	NC	II	IW
<b>C<sup>1</sup></b>	1876	1851	1380	1600	86.4	199.0	NC	II	IW
<b>C<sup>1</sup></b>	2040	2012	1500	1600	93.7	208.8	NC	II	IW
<b>C<sup>1</sup></b>	2400	2365	1765	1800	116.5	214.5	NC	II	IW
<b>D<sup>1</sup></b>	2587	2551	1902	1800	124.4	207.7	NC	II	IW

<sup>1</sup> High displacement engine (HD)

(continued)



# 3512C

Electronic Control System

## PROPULSION ENGINE

(continued)

### SPECIFICATIONS

Vee 12, 4-Stroke-Cycle Diesel		
<b>Aspiration</b>	TTA	
<b>Bore x Stroke</b>	6.69 x 7.48 in	170 x 190 mm
<b>Bore x Stroke<sup>1</sup></b>	6.69 x 8.46 in	170 x 215 mm
<b>Displacement</b>	3161 cu in	51.8 liter
<b>Displacement<sup>1</sup></b>	3574 cu in	58.6 liter
<b>Rotation (from flywheel end)</b>	Counterclockwise or clockwise	
<b>Engine dry weight (approx)</b>	14,400 - 16,340 lb	6532 - 7411 kg

### DIMENSIONS

	LE	H	WE
<b>min.</b>	102.0 in/2590 mm	75.0 in/1904 mm	80.2 in/2037 mm
<b>max.</b>	105.1 in/2669 mm	88.3 in/2242 mm	87.9 in/2232 mm

# 3512E

Electronic Control System

## PROPULSION ENGINE

### RATINGS AND FUEL CONSUMPTION

#### U.S. EPA Tier 4 Final and IMO Tier III Ratings

	mhp	bhp	bkW	rpm	U.S. g/h	g/bkW-hr	EPA	IMO	EU
<b>A</b>	1360	1341	1000	1600	63.0	200.2	T4C	III	NC
<b>A</b>	1523	1502	1120	1600	70.0	198.4	T4C	III	NC
<b>A</b>	1523	1502	1120	1800	73.4	208.0	T4C	III	NC
<b>A</b>	1724	1700	1268	1600	78.8	197.5	T4C	III	NC
<b>A</b>	1835	1810	1350	1600	84.0	197.7	T4C	III	NC
<b>A</b>	2028	2000	1491	1600	93.1	198.2	T4C	III	NC
<b>A</b>	2282	2250	1678	1800	105.7	199.9	T4C	III	NC
<b>B</b>	1598	1576	1175	1800	76.4	206.4	T4C	III	NC
<b>B</b>	2142	2112	1575	1600	98.5	198.6	T4C	III	NC
<b>B</b>	2408	2375	1771	1800	111.3	199.6	T4C	III	NC
<b>C</b>	1673	1650	1230	1800	79.6	205.4	T4C	III	NC
<b>C</b>	2244	2213	1650	1600	103.4	199.0	T4C	III	NC
<b>C</b>	2585	2549	1901	1800	119.7	199.9	T4C	III	NC

All high displacement engines (HD).

Engines require SCR Aftertreatment.

Contact dealer for availability.

(continued)

# 3512E

Electronic Control System

## PROPULSION ENGINE

(continued)

### SPECIFICATIONS

Vee 12, 4-Stroke-Cycle Diesel		
<b>Aspiration</b>	TTA	
<b>Bore x Stroke</b>	6.69 x 8.46 in	170 x 215 mm
<b>Displacement</b>	3574 cu in	58.6 liter
<b>Rotation (from flywheel end)</b>	Counterclockwise	
<b>Engine dry weight (approx)</b>	16,508 lb	7488 kg

### DIMENSIONS

	LE	H	WE
<b>min.</b>	104.2 in/2624 mm	87.5 in/2222.6 mm	80.2 in/2037 mm
<b>max.</b>	104.2 in/2624 mm	87.5 in/2222.6 mm	80.2 in/2037 mm

# 3516C

Electronic Control System

## PROPULSION ENGINE

### RATINGS AND FUEL CONSUMPTION

	mhp	bhp	bkW	rpm	U.S. g/h	g/bkW-hr	EPA	IMO	EU
<b>A</b>	1673	1650	1230	1200	78.9	206.2	NC	II	IW
<b>A</b>	2028	2000	1492	1600	96.3	202.8	NC	II	IW
<b>A<sup>1</sup></b>	2292	2260	1686	1600	107.5	202.4	NC	II	IW
<b>A<sup>1</sup></b>	2482	2448	1825	1600	113.2	206.9	NC	II	IW
<b>B</b>	1775	1750	1305	1200	84.2	206.2	NC	II	IW
<b>B</b>	2130	2100	1566	1600	100.4	201.8	NC	II	IW
<b>B<sup>1</sup></b>	2407	2375	1771	1600	112.0	200.8	NC	II	IW
<b>B<sup>1</sup></b>	2611	2575	1920	1600	118.6	206.7	NC	II	IW
<b>B<sup>1</sup></b>	3046	3004	2240	1800	148.3	210.3	NC	II	IW
<b>C</b>	1876	1850	1379	1200	90.0	207.0	NC	II	IW
<b>C</b>	2231	2200	1641	1600	104.5	201.9	NC	II	IW
<b>C<sup>1</sup></b>	2534	2500	1864	1600	117.0	199.3	NC	II	IW
<b>C<sup>1</sup></b>	2720	2682	2000	1600	123.4	198.5	NC	II	IW
<b>C<sup>1</sup></b>	3196	3151	2350	1800	148.6	209.2	NC	I	NC
<b>C<sup>1</sup></b>	3196	3151	2350	1800	154.7	200.9	NC	II	IW
<b>D<sup>1</sup></b>	2855	2816	2100	1600	114.9	199.0	NC	II	IW
<b>D<sup>1</sup></b>	3434	3386	2525	1800	165.0	207.6	NC	II	IW

<sup>1</sup> High displacement engine (HD)

(continued)

# 3516C

Electronic Control System

## PROPULSION ENGINE

(continued)

### SPECIFICATIONS

Vee 16, 4-Stroke-Cycle Diesel		
<b>Aspiration</b>	TTA	
<b>Bore x Stroke</b>	6.69 x 7.48 in	170 x 190 mm
<b>Bore x Stroke<sup>1</sup></b>	6.69 x 8.46 in	170 x 215 mm
<b>Displacement</b>	4211 cu in	69 liter
<b>Displacement<sup>1</sup></b>	4765 cu in	78 liter
<b>Rotation (from flywheel end)</b>	Counterclockwise or clockwise	
<b>Engine dry weight (approx)</b>	17,550 - 19,025 lb	7964 - 8629 kg

### DIMENSIONS

	LE	H	WE
<b>min.</b>	143.1 in/3637 mm	77.4 in/1967 mm	80.2 in/2037 mm
<b>max.</b>	148.0 in/3761 mm	84.6 in/2150 mm	84.3 in/2142 mm

# 3516E

## PROPULSION ENGINE

Electronic Control System

### RATINGS AND FUEL CONSUMPTION

#### U.S. EPA Tier 4 Final and IMO Tier III Ratings

	mhp	bhp	bkW	rpm	U.S. g/h	g/bkW-hr	EPA	IMO	EU
<b>A</b>	2536	2501	1865	1600	118.4	201.5	T4C	III	NC
<b>A</b>	2720	2682	2000	1600	126.7	201.2	T4C	III	NC
<b>A</b>	3046	3004	2240	1800	145.4	206.1	T4C	III	NC
<b>B</b>	2855	2816	2100	1600	133.2	201.4	T4C	III	NC
<b>B</b>	3195	3151	2350	1800	151.2	204.3	T4C	III	NC
<b>C</b>	2991	2950	2200	1600	139.9	202.0	T4C	III	NC
<b>C</b>	3433	3386	2525	1800	162.2	203.4	T4C	III	NC

All ratings are high displacement.

Engines require SCR Aftertreatment.

Contact Caterpillar or your local dealer for availability and technical details (e.g. fuel consumption).

### SPECIFICATIONS

Vee 16, 4-Stroke-Cycle Diesel		
<b>Aspiration</b>	TTA	
<b>Bore x Stroke</b>	6.69 x 8.46 in	170 x 215 mm
<b>Displacement</b>	4765 cu in	78 liter
<b>Rotation (from flywheel end)</b>	Counterclockwise	
<b>Engine dry weight (approx)</b>	21,164 lb	9600 kg

### DIMENSIONS

	LE	H	WE
<b>min.</b>	125.7 in/3192 mm	87.6 in/2225 mm	89.9 in/2284 mm
<b>max.</b>	125.7 in/3192 mm	87.6 in/2225 mm	89.9 in/2284 mm

# C175-16

## PROPULSION ENGINE

### RATINGS AND FUEL CONSUMPTION

#### IMO Tier II

	mhp	bhp	bkW	rpm	U.S. g/h	g/bkW-hr	EPA	IMO	EU
<b>A</b>	2721	2683	2001	1600	132.7	210.6	NC	II	NC
<b>A</b>	2831	2792	2082	1600	138.3	210.9	NC	II	NC
<b>A</b>	3044	3003	2239	1800	143.9	204.1	NC	II	NC
<b>A</b>	3301	3256	2428	1800	156.2	204.3	NC	II	NC
<b>B</b>	2948	2907	2168	1600	144.4	211.5	NC	II	NC
<b>B</b>	3467	3420	2550	1800	167.9	209.1	NC	II	NC

### SPECIFICATIONS

Vee 16, 4-Stroke-Cycle Diesel		
<b>Aspiration</b>	TA	
<b>Bore x Stroke</b>	6.88 x 8.66 in	175 x 220 mm
<b>Displacement</b>	5166.88 cu in	84.67 liter
<b>Rotation (from flywheel end)</b>	Counterclockwise	
<b>Engine dry weight (approx)</b>	28,750 lb	13,041 kg

### DIMENSIONS

	LE	H	WE
<b>min.</b>	177.8 in/4515 mm	97.6 in/2478 mm	72.6 in/1845 mm
<b>max.</b>	177.8 in/4515 mm	97.6 in/2478 mm	72.6 in/1845 mm

# C280-6

## PROPULSION ENGINE

### RATINGS AND FUEL CONSUMPTION

	mhp	bhp	bkW	rpm	U.S. g/h	g/bkW-hr	EPA	IMO	EU
<b>CS</b>	2352	2320	1730	900	105	194.7	NC	II	NC
<b>CS</b>	2515	2481	1850	1000	112	202.7	NC	II	NC
<b>MC</b>	2583	2548	1900	900	108	194.0	NC	II	NC
<b>MC</b>	2760	2722	2030	1000	116	200.4	NC	II	NC

*C280 fuel rate is at full load on the prop curve, BSFC is at full power condition.*

### SPECIFICATIONS

In-line 6, 4-Stroke-Cycle Diesel		
<b>Aspiration</b>	TA	
<b>Bore x Stroke</b>	11.0 x 11.8 in	280 x 300 mm
<b>Displacement</b>	6773 cu in	111 liter
<b>Rotation (from flywheel end)</b>	Counterclockwise or clockwise	
<b>Engine dry weight (approx)</b>	34,496 lb	15,680 kg

### DIMENSIONS

	LE	H	WE
<b>min.</b>	158 in/4013 mm	108 in/2743 mm	71 in/1803 mm
<b>max.</b>	158 in/4013 mm	108 in/2743 mm	71 in/1803 mm



# C280-8

## PROPULSION ENGINE

### RATINGS AND FUEL CONSUMPTION

	mhp	bhp	bkW	rpm	U.S. g/h	g/bkW-hr	EPA	IMO	EU
<b>CS</b>	3127	3084	2300	900	139	187.9	NC	II	NC
<b>CS</b>	3345	3299	2460	1000	139	197.0	T4C	III	NC
<b>MC</b>	3440	3393	2530	900	143	188.4	NC	II	NC
<b>MC</b>	3684	3634	2710	1000	144	197.8	T4C	III	NC

*C280 fuel rate is at full load on the prop curve, BSFC is at full power condition.*

### SPECIFICATIONS

In-line 8, 4-Stroke-Cycle Diesel		
<b>Aspiration</b>	TA	
<b>Bore x Stroke</b>	11.0 x 11.8 in	280 x 300 mm
<b>Displacement</b>	9031 cu in	148 liter
<b>Rotation (from flywheel end)</b>	Counterclockwise or clockwise	
<b>Engine dry weight (approx)</b>	41,800 lb	19,000 kg

### DIMENSIONS

	LE	H	WE
<b>min.</b>	195 in/4953 mm	104 in/2642 mm	71 in/1803 mm
<b>max.</b>	195 in/4953 mm	104 in/2642 mm	71 in/1803 mm

# C280-12

## PROPULSION ENGINE

### RATINGS AND FUEL CONSUMPTION

	mhp	bhp	bkW	rpm	U.S. g/h	g/bkW-hr	EPA	IMO	EU
<b>CS</b>	4704	4640	3460	900	208	193.8	NC	II	NC
<b>CS</b>	5031	4962	3700	1000	210	199.2	T4C	III	NC
<b>MC</b>	5167	5096	3800	900	214	194.0	NC	II	NC
<b>MC</b>	5520	5444	4060	1000	217	198.8	T4C	III	NC

*C280 fuel rate is at full load on the prop curve, BSFC is at full power condition.*

### SPECIFICATIONS

Vee 12, 4-Stroke-Cycle Diesel		
<b>Aspiration</b>	TTA	
<b>Bore x Stroke</b>	11.0 x 11.8 in	280 x 300 mm
<b>Displacement</b>	13,546 cu in	222 liter
<b>Rotation (from flywheel end)</b>	Counterclockwise or clockwise	
<b>Engine dry weight (approx)</b>	57,276 lb	25,980 kg

### DIMENSIONS

	LE	H	WE
<b>min.</b>	182 in/4623 mm	134 in/3404 mm	80 in/2032 mm
<b>max.</b>	182 in/4623 mm	134 in/3404 mm	80 in/2032 mm

# C280-16

Electronic Control System

## PROPULSION ENGINE

### RATINGS AND FUEL CONSUMPTION

	mhp	bhp	bkW	rpm	U.S. g/h	g/bkW-hr	EPA	IMO	EU
<b>CS</b>	6255	6169	4600	900	272	187.9	T4C	III	NC
<b>CS</b>	6690	6598	4920	1000	293	197.0	NC	II	NC
<b>MC</b>	6879	6785	5060	900	278	188.4	NC	II	NC
<b>MC</b>	7369	7268	5420	1000	302	197.0	NC	II	NC
<b>FCVR</b>	7682	7577	5650	1000	372	205.3	NC	II	NC

C280 fuel rate is at full load on the prop curve, BSFC is at full power condition.

Arrangements are available with front mounted turbochargers or rear mounted turbochargers.

FMT requires remote mounted (Shipped Loose) heat exchanger for the Oil Cooler.

FMT duplex Oil filters are ship loose and require remote mounting and plumbing.

Single circuit cooling system is not available with FMT configuration.

### SPECIFICATIONS

Vee 16, 4-Stroke-Cycle Diesel		
<b>Aspiration</b>	TTA	
<b>Bore x Stroke</b>	11.0 x 11.8 in	280 x 300 mm
<b>Displacement</b>	18,062 cu in	296 liter
<b>Rotation (from flywheel end)</b>	Counterclockwise or clockwise	
<b>Engine dry weight (approx)</b>	68,343 lb	31,000 kg

### DIMENSIONS

	LE	H	WE
<b>min.</b>	224 in/5690 mm	134 in/3404 mm	80 in/2032 mm
<b>max.</b>	224 in/5690 mm	134 in/3404 mm	80 in/2032 mm

### RATINGS AND FUEL CONSUMPTION

	bhp	bkW	rpm	U.S. g/h	g/bkW-hr	EPA	IMO	EU
<b>C4.4</b>	94.5	70.5	1500	5.2	236.8	NC	II	CC2
<b>C4.4</b>	116.4	86.8	1500	6.2	227.5	NC	II	CC2
<b>C4.4</b>	145.6	108.6	1500	7.4	217.9	NC	II	CC2
<b>C7.1</b>	134.9	100.6	1500	7.8	263.6	NC	II	CC2
<b>C7.1</b>	146.5	109.3	1500	7.9	229.6	NC	II	CC2
<b>C7.1</b>	162.6	121.3	1500	9.3	251.3	NC	II	CC2
<b>C7.1</b>	172.9	129	1500	9.2	227.5	NC	II	CC2
<b>C7.1</b>	209.5	156.3	1500	11.3	239.8	NC	II	CC2
<b>C7.1</b>	219.8	164	1500	11.2	216.5	NC	II	CC2
<b>C9.3</b>	292	218	1500	13.9	202.6	NC	II	CC2
<b>C9.3</b>	362	270	1500	17.2	202.6	NC	II	CC2
<b>C18</b>	404	301	1500	19.9	210.1	NC	II	CC2
<b>C18</b>	514	383	1500	25.2	209.1	NC	II	CC2
<b>C18</b>	587	438	1500	28.7	208.2	NC	II	CC2
<b>C18</b>	660	492	1500	32.3	208.6	NC	II	CC2
<b>C32</b>	791	590	1500	37.9	203.8	NC	II	IW
<b>C32</b>	923	688	1500	44.0	203.0	NC	II	IW
<b>C32</b>	1172	874	1500	57.0	207.0	NC	II	IW
<b>3512B</b>	1686	1257	1500	77.4	195.7	NC	II	NC
<b>3508C</b>	903	673	1500	44.4	209.4	NC	II	NC
<b>3508C</b>	1100	820	1500	53.2	206.1	NC	II	NC
<b>3512C</b>	1826	1362	1500	84.7	197.5	NC	II	NC
<b>3516C</b>	2303	1717	1500	110.3	203.9	NC	II	NC
<b>3516C</b>	2600	1940	1500	122.6	200.8	NC	II	NC

US EPA commercial ratings 1000 kW and greater will move to EPA T4 starting Jan. 1, 2017, ratings 600 kW and greater will move to EPA T4 starting Oct. 1, 2017.

300 kW and lower EU Stage 3A ratings will not be available after December 2018. Contact your local dealer for availability.

(continued)

# DEP

## DIESEL ELECTRIC PROPULSION - 50 HZ

(continued)

### RATINGS AND FUEL CONSUMPTION

	bhp	bkW	rpm	U.S. g/h	g/bkW-hr	EPA	IMO	EU
<b>C175-16</b>	3243	2418	1500	153.7	201.9	NC	II	NC
<b>C280-6</b>	2481	1850	1000	118.9	204.3	NC	II	NC
<b>C280-6</b>	2722	2030	1000	131.7	206.2	NC	II	NC
<b>C280-8</b>	3299	2460	1000	153.2	197.9	NC	II	NC
<b>C280-8</b>	3634	2710	1000	170.3	199.7	NC	II	NC
<b>C280-12</b>	4962	3700	1000	237.7	204.2	NC	II	NC
<b>C280-12</b>	5445	4060	1000	263.4	206.2	NC	II	NC
<b>C280-16</b>	6598	4920	1000	306.4	197.9	NC	II	NC
<b>C280-16</b>	7268	5420	1000	340.6	194.7	NC	II	NC

US EPA commercial ratings 1000 kW and greater will move to EPA T4 starting Jan. 1, 2017, ratings 600 kW and greater will move to EPA T4 starting Oct. 1, 2017.

C280 fuel rate at rated power, BSFC is at full power condition.

For C175-16 50Hz DEP, configure using Petro price list and request Marine DEP through DTO process and provide load profile on SRR form.

# DEP

## DIESEL ELECTRIC PROPULSION - 60 HZ

### RATINGS AND FUEL CONSUMPTION

	bhp	bkW	rpm	U.S. g/h	g/bkW-hr	EPA	IMO	EU
<b>C4.4</b>	87.4	65.2	1500	5.0	241.9	NC	II	CC2
<b>C4.4</b>	109.2	81.5	1500	5.9	231.3	NC	II	CC2
<b>C4.4</b>	145.6	108.6	1500	7.5	220.3	NC	II	CC2
<b>C4.4</b>	172.9	129	1500	8.3	204.5	NC	II	CC2
<b>C7.1</b>	155.8	116.2	1800	9.1	254.2	NC	II	CC2
<b>C7.1</b>	172.9	129	1800	9.5	233.6	NC	II	CC2
<b>C7.1</b>	202.7	151.2	1800	11.1	243.5	NC	II	CC2
<b>C7.1</b>	219.7	163.9	1800	11.3	219.4	NC	II	CC2
<b>C7.1</b>	239.3	178.5	1800	12.7	231.5	NC	II	CC2
<b>C7.1</b>	256.4	191.3	1800	13.2	219.5	NC	II	CC2
<b>C7.1</b>	293.0	218.6	1800	14.9	216.4	NC	II	CC2
<b>C9.3</b>	369	275	1800	18.6	215.1	T3C	II	CC2
<b>C9.3</b>	436	325	1800	21.8	212.8	T3C	II	CC2
<b>C18</b>	624	465	1800	32.8	224.0	T3C	II	NC
<b>C18</b>	803	599	1800	25.4	217.0	T3C	II	NC
<b>C32</b>	916	683	1800	45.3	210.8	NC	II	IW
<b>C32</b>	1047	781	1800	57.8	210.4	NC	II	IW
<b>C32</b>	1047	781	1800	54.3	220.8	T3C	II	IW
<b>C32</b>	1333	994	1800	64.9	207.2	NC	II	IW
<b>C32</b>	1333	994	1800	68.0	217.3	T3C	II	IW
<b>3512C</b>	1920	1432	1800	91.9	204.0	NC	II	IW
<b>3512C</b>	2183	1628	1800	110.2	215.1	NC	II	IW
<b>3512C</b>	2400	1790	1800	119.7	212.4	NC	II	IW
<b>3512E</b>	2189	1632	1800	104.0	202.4	T4C	III	NC

300 bkW and lower EU Stage 3A ratings will not be available after December 2018. Contact your local dealer for availability.

(continued)

# DEP

## DIESEL ELECTRIC PROPULSION - 60 HZ

(continued)

### RATINGS AND FUEL CONSUMPTION

	bhp	bkW	rpm	U.S. g/h	g/bkW-hr	EPA	IMO	EU
<b>3512E</b>	2399	1789	1800	113.2	200.9	T4C	III	NC
<b>3516C</b>	2435	1815	1800	129.0	226.0	T3C	II	NC
<b>3516C</b>	2809	2095	1800	132.0	200.2	NC	II	IW
<b>3516C</b>	2984	2225	1800	140.6	200.1	NC	II	IW
<b>3516C</b>	3151	2350	1800	148.9	201.4	NC	II	IW
<b>3516E</b>	2576	1921	1800	122.7	202.9	T4C	III	NC
<b>3516E</b>	2823	2105	1800	135.1	203.7	T4C	III	NC
<b>3516E</b>	3175	2368	1800	152.4	204.3	T4C	III	NC
<b>C280-6</b>	2320	1730	900	107.4	197.3	NC	II	NC
<b>C280-6</b>	2548	1900	900	118.6	198.4	NC	II	NC
<b>C280-8</b>	3084	2300	900	142.7	193.0	T4C	III	NC
<b>C280-8</b>	3393	2530	900	153.8	190.7	T4C	III	NC
<b>C280-12</b>	4640	3460	900	217.4	198.0	T4C	III	NC
<b>C280-12</b>	5096	3800	900	237.0	196.3	T4C	III	NC
<b>C280-16</b>	6169	4600	900	278.5	192.7	T4C	III	NC
<b>C280-16</b>	6786	5060	900	307.0	190.7	T4C	III	NC

C280 fuel rate at rated power, BSFC is at full power condition.

# Cat Generator Sets and Auxiliary Engines



With more than 80 years of marine power experience, we offer a wide array of generator sets spanning from 10 ekW (10 kVA) to 5200 ekW (6500 kVA). Cat marine generator sets and auxiliary engines combine proven design and manufacturing methods with the latest technology, such as advanced control for more power and efficiency, and enhanced monitoring that keeps you ahead of any issues that could potentially affect your uptime and productivity.

We're built to provide the power you work with and live by.



# C1.5

## GENERATOR SET

### RATINGS AND FUEL CONSUMPTION

Three Phase ekW@.8pf	Single Phase ekW@1.0pf	kVA	Hz	rpm	U.S. g/h	g/bkW-hr	EPA	IMO	EU
13.0		16.5	60	1800	1.2	268.2	T3C	NST	NST
11.0		13.5	50	1500	1.0	264.1	T3C	NST	NST
	12.0	12.0	60	1800	1.2	290.5	T3C	NST	NST
	10.0	10.0	50	1500	1.0	290.5	T3C	NST	NST

### SPECIFICATIONS

In-line 3, 4-Stroke-Cycle Diesel		
Aspiration	NA	
Bore x Stroke	3.31 x 3.5 in	84 x 90 mm
Displacement	91 cu in	1.5 liter
Rotation (from flywheel end)	Counterclockwise	
Generator set weight (approx)	703/908 lb	319/412 kg

### DIMENSIONS

	LE	H	WE
Open	40.8 in/1038 mm	27.1 in/689 mm	21.1 in/535 mm
Enclosed	43.1 in/1095 mm	27.9 in/711 mm	24 in/608 mm

# C2.2

## GENERATOR SET

### RATINGS AND FUEL CONSUMPTION

Three Phase ekW@.8pf	Single Phase ekW@1.0pf	kVA	Hz	rpm	U.S. g/h	g/bkW-hr	EPA	IMO	EU
19.5		24.0	60	1800	1.63	242.9	T3C	NST	IW
27.0		34.0	60	1800	2.24	241.0	T3C	NST	IW
16.0		20.0	50	1500	1.37	248.8	T3C	NST	IW
22.5		28.0	50	1500	1.88	242.8	T3C	NST	IW
	19.0	19.0	60	1800	1.63	242.9	T3C	NST	IW
	27.0	27.0	60	1800	2.24	241.0	T3C	NST	IW
	16.0	16.0	50	1500	1.37	248.8	T3C	NST	IW
	22.5	22.5	50	1500	1.88	242.8	T3C	NST	IW

300 kW and lower EU Stage 3A ratings will not be available after December 2018.

Contact your local dealer for availability.

### SPECIFICATIONS

In-line 4, 4-Stroke-Cycle Diesel		
Aspiration	NA, T	
Bore x Stroke	3.31 x 3.94 in	84 x 100 mm
Displacement	135 cu in	2.2 liter
Rotation (from flywheel end)	Counterclockwise	
Generator set weight (approx)	857/1027 lb	389/466 kg

### DIMENSIONS

	LE	H	WE
Open	47.9 in/1219 mm	32.8 in/835 mm	22.3 in/567 mm
Enclosed	50.7 in/1290 mm	31.0 in/775 mm	24.7 in/628 mm

# C4.4

## GENERATOR SET

### RATINGS AND FUEL CONSUMPTION

ekW@.8pf	ekW@1.0pf	kVA	Hz	rpm	U.S. g/h	g/bkW-hr	EPA	IMO	EU
38.0		47.5	50	1500	2.9	221.7	NC	NST	CC2
51.5		64.5	50	1500	3.9	220.0	NC	NST	CC2
69.0		86.0	50	1500	4.9	206.3	NC	NST	CC2
86.0		107.0	50	1500	6.5	219.6	NC	NST	NC
44.0		55.0	60	1800	3.4	224.5	NC	NST	NC
58.5		73.0	60	1800	4.2	208.6	NC	NST	NC
76.0		95.0	60	1800	5.8	221.7	NC	NST	NC
99.0		123.0	60	1800	7.3	214.2	NC	NST	NC
36.0R		45.0	50	1500	2.9	234.0	NC	NST	CC2
49.0R		61.0	50	1500	3.9	231.2	NC	NST	CC2
65.0R		81.0	50	1500	4.9	219.0	NC	NST	CC2
82.0R		103.0	50	1500	6.5	230.3	NC	NST	NC
42.0R		53.0	60	1800	3.4	235.2	NC	NST	NC
56.0R		70.0	60	1800	4.5	233.5	NC	NST	NC
72.0R		90.0	60	1800	5.8	234.0	NC	NST	NC
95.0R		119.0	60	1800	7.3	223.3	NC	NST	NC

R - Radiator cooled only.

ABS, BV, DNV, GL, LR, RINA, CCS approved generator set packages available for ratings.

300 kW and lower CCNR2 ratings will not be available after December 2018.

Contact your local dealer for availability.

(continued)

# C4.4

## GENERATOR SET

### RATINGS AND FUEL CONSUMPTION

#### U.S. EPA Tier 3 & IMO Tier II

ekW@.8pf	ekW@1.0pf	kVA	Hz	rpm	U.S. g/h	g/bkW-hr	EPA	IMO	EU
65		81	50	1500	5.2	236.8	T3C	NST	CC2
80		100	50	1500	6.2	227.5	T3C	NST	CC2
99		124	50	1500	7.4	217.9	T3C	NST	CC2
60		75	60	1800	5.0	241.9	T3C	NST	CC2
75		94	60	1800	5.9	231.3	T3C	NST	CC2
99		124	60	1800	7.5	220.3	T3C	NST	CC2
118		148	60	1800	8.3	204.5	T3C	NST	CC2
58R		73	50	1500	5.1	225.2	T3C	NST	CC2
73R		91	50	1500	6.1	219.4	T3C	NST	CC2
88R		110	50	1500	7.0	205.9	T3C	NST	CC2
51R		64	60	1800	4.9	235.2	T3C	NST	CC2
66R		83	60	1800	5.8	224.0	T3C	NST	CC2
90R		113	60	1800	7.3	215.2	T3C	NST	CC2
105R		131	60	1800	8.5	210.8	T3C	NST	CC2

Engine type approval available from ABS, BV, DNV, GL, NKK, RINA, CRS.

300 bkW and lower CCNR2 ratings will not be available after December 2018.

Contact your local dealer for availability.

(continued)

# C4.4

## GENERATOR SET

*(continued)*

### SPECIFICATIONS

In-line 4, 4-Stroke-Cycle Diesel		
<b>Aspiration</b>	TA	
<b>Bore x Stroke</b>	4.13 x 5.0 in	105 x 127 mm
<b>Displacement</b>	269 cu in	4.4 liter
<b>Rotation (from flywheel end)</b>	Counterclockwise	
<b>Generator set weight (approx)</b>	2736 - 3389 lb	1241 - 1537 kg

### DIMENSIONS

	LE	H	WE
<b>min.</b>	66.4 in/1687 mm	49 in/1245 mm	38.3 in/974 mm
<b>max.</b>	80.2 in/2037 mm	78.7 in/1999 mm	38.8 in/986 mm

## GENERATOR SET

### RATINGS AND FUEL CONSUMPTION

#### U.S. EPA Tier 3 & IMO Tier II

ekW@.8pf	ekW@1.0pf	kVA	Hz	rpm	U.S. g/h	g/bkW-hr	EPA	IMO	EU
100		125	50	1500	7.9	229.6	T3C	NST	CC2
118		148	50	1500	9.2	227.5	T3C	NST	CC2
150		188	50	1500	11.2	216.5	T3C	II	CC2
118		148	60	1800	9.5	233.6	T3C	NST	CC2
150		188	60	1800	11.3	219.4	T3C	II	CC2
175		219	60	1800	13.2	219.5	T3C	II	CC2
200		250	60	1800	14.9	216.4	T3C	II	CC2
92R		115	50	1500	7.8	263.6	T3C	NST	CC2
111R		139	50	1500	9.3	251.3	T3C	NST	CC2
143R		179	50	1500	11.3	239.8	T3C	II	CC2
106R		133	60	1800	9.1	254.2	T3C	NST	CC2
138R		173	60	1800	11.1	243.5	T3C	II	CC2
163R		204	60	1800	12.7	231.5	T3C	II	CC2

Engine type approval available from ABS, BV, DNV, GL, LR, NKK, RINA, CRS, CCS.

300 kW and lower CCNR2 ratings will not be available after December 2018.

Contact your local dealer for availability.

### SPECIFICATIONS

In-line 6, 4-Stroke-Cycle Diesel		
<b>Aspiration</b>	TA	
<b>Bore x Stroke</b>	4.13 x 5.3 in	105 x 135 mm
<b>Displacement</b>	433.3 cu in	7.01 liter
<b>Rotation (from flywheel end)</b>	Counterclockwise	
<b>Generator set weight (approx)</b>	3355 - 4718 lb	1522 - 2140 kg

### DIMENSIONS

	LE	H	WE
<b>min.</b>	76.3 in/1940 mm	49.7 in/1263 mm	37.6 in/956 mm
<b>max.</b>	102 in/2582 mm	62.3 in/1583 mm	39.0 in/993 mm

# C9.3

## GENERATOR SET

### RATINGS AND FUEL CONSUMPTION

ekW@.8pf	kVA	Hz	rpm	U.S. g/h	g/bkW-hr	EPA	IMO	EU
200*	250	50	1500	13.6	203.0	NC	II	CC2
195	244	50	1500	TBD	TBD	NC	II/III	NC
250*	313	50	1500	17.0	202.3	NC	II	CC2
245	306	50	1500	TBD	TBD	NC	II/III	NC
250*	313	60	1800	18.2	216.4	T3C	II	CC2
250	313	60	1800	TBD	TBD	NC	II/III	NC
300	375	60	1800	21.5	213.0	T3C	II	CC2
185R*	231	50	1500	13.6	203.0	NC	II	CC2
180R	225	50	1500	TBD	TBD	NC	II/III	NC
235R*	294	50	1500	17.0	202.3	NC	II	CC2
230R	288	50	1500	TBD	TBD	NC	II/III	NC
224R*	280	60	1800	18.2	216.4	T3C	II	CC2
224R	280	60	1800	TBD	TBD	NC	II/III	NC
274R	343	60	1800	21.5	213.0	T3C	II	CC2

\*300 bkW and lower CCNR2 ratings will not be available after December 2018.

Contact your local dealer for availability.

### SPECIFICATIONS

In-line 6, 4-Stroke-Cycle Diesel		
<b>Aspiration</b>	TA	
<b>Bore x Stroke</b>	4.13 x 5.31 in	115 x 149 mm
<b>Displacement</b>	568 cu in	9.3 liter
<b>Rotation (from flywheel end)</b>	Counterclockwise	
<b>Generator set weight (approx)</b>	5219 lb	2367 kg

### DIMENSIONS

	LE	H	WE
<b>min.</b>	85.8 in/2179 mm	56.5 in/1436 mm	50.4 in/1260 mm
<b>max.</b>	85.8 in/2179 mm	56.5 in/1436 mm	50.4 in/1260 mm

## GENERATOR SET

### RATINGS AND FUEL CONSUMPTION

#### IMO Tier II

ekW@.8pf	kVA	Hz	rpm	U.S. g/h	g/bkW-hr	EPA	IMO	EU
280	350	50	1500	19.9	209.5	NC	II	IW
360*	450	50	1500	25.2	209.0	NC	II	IW
410*	513	50	1500	28.7	208.0	NC	II	IW
465*	581	50	1500	32.3	209.0	NC	II	IW
345*	431	60	1800	25.4	217.0	NC	II	IW
430	538	60	1800	31.5	215.0	NC	II	IW
565	706	60	1800	40.4	214.0	NC	II	IW
260R	325	50	1500	19.2	209.5	NC	II	IW
335R*	419	50	1500	25.2	209.0	NC	II	IW
390R*	486	50	1500	28.7	208.0	NC	II	IW
445R*	556	50	1500	32.3	208.7	NC	II	IW
310R*	388	60	1800	25.4	217.0	NC	II	IW
395R	494	60	1800	31.5	215.0	NC	II	IW
530R	663	60	1800	40.4	214.0	NC	II	IW

\*Contact your local dealer for details on availability on IMO III ratings. Power may vary slightly from IMO II rating.

#### U.S. EPA Tier 3 & IMO Tier II

ekW@.8pf	kVA	Hz	rpm	U.S. g/h	g/bkW-hr	EPA	IMO	EU
430	538	60	1800	32.3	220.0	T3C	II	IW
565	706	60	1800	40.1	212.7	T3C	II	IW
395R	594	60	1800	32.2	220.0	T3C	II	IW
530R	663	60	1800	40.1	212.7	T3C	II	IW

Generator set package includes SRMP generator.

(continued)



# C18

## GENERATOR SET

(continued)

### SPECIFICATIONS

In-line 6, 4-Stroke-Cycle Diesel		
<b>Aspiration</b>	TA, TTA	
<b>Bore x Stroke</b>	5.7 x 7.2 in	145 x 183 mm
<b>Displacement</b>	1106 cu in	
<b>Rotation (from flywheel end)</b>	Counterclockwise	
<b>Generator set weight (approx)</b>	8733 - 9974 lb	3961 - 4524 kg

### DIMENSIONS

	LE	H	WE
<b>min.</b>	119.7 in/3040 mm	66.3 in/1684 mm	60.9 in/1547 mm
<b>max.</b>	119.7 in/3040 mm	66.3 in/1684 mm	60.9 in/1547 mm

# C32

## GENERATOR SET

### RATINGS AND FUEL CONSUMPTION

#### IMO Tier II/IMO Tier III

ekW@.8pf	kVA	Hz	rpm	U.S. g/h	g/bkW-hr	EPA	IMO	EU
550	688	50	1500	37.9	203.8	NC	II	IW
830	1038	50	1500	57.0	207.0	NC	II	IW
830	1038	50	1500	57.8	210.3	NC	II/III	NC
730	913	60	1800	51.8	210.4	NC	II	IW
730	913	60	1800	TBD	TBD	NC	II/III	NC
940	1175	60	1800	64.9	207.2	NC	II	IW
940	1175	60	1800	65.0	207.9	NC	II/III	NC
525R	656	50	1500	37.9	203.8	NC	II	IW
795R	994	50	1500	57.0	207.0	NC	II	IW
795R	994	50	1500	57.8	210.3	NC	II/III	NC
675R	844	60	1800	51.8	210.4	NC	II	IW
675R	844	60	1800	TBD	TBD	NC	II/III	NC
880R	1100	60	1800	64.9	207.2	NC	II	IW
880R	1100	60	1800	65.0	207.9	NC	II/III	NC

Heat Exchanger (32°C Sea Water Temp), Keel Cooled (52°C SCAC Temp).

(continued)

# C32

## GENERATOR SET

*(continued)*

### RATINGS AND FUEL CONSUMPTION

#### U.S. EPA Tier 4 and IMO Tier III

ekW@.8pf	kVA	Hz	rpm	U.S. g/h	g/bkW-hr	EPA	IMO	EU
830	1038	50	1500	63.3	202.1	NC	III	IW
940	1175	60	1800	70.8	204.3	T4C	III	IW
795R	994	50	1500	63.3	202.1	NC	III	IW
880R	844	60	1800	70.8	204.3	T4C	III	IW

*Heat Exchanger (32°C Sea Water Temp), Keel Cooled (52°C SCAC Temp)*

### SPECIFICATIONS

Vee 12, 4-Stroke-Cycle Diesel		
<b>Aspiration</b>	TTA	
<b>Bore x Stroke</b>	5.7 x 6.4 in	145 x 162 mm
<b>Displacement</b>	1959 cu in	32.1 liter
<b>Rotation (from flywheel end)</b>	Counterclockwise	
<b>Generator set weight (approx)</b>	15,721 lb	7131 kg

### DIMENSIONS

	LE	H	WE
<b>min.</b>	168.2 in/4271 mm	65.6 in/1667 mm	
<b>max.</b>	175.3 in/4452 mm	65.6 in/1667 mm	

# C280-6

Electronic Control System

## GENERATOR SET

### RATINGS AND FUEL CONSUMPTION

ekW@.8pf	kVA	Hz	rpm	U.S. g/h	g/bkW-hr	EPA	IMO	EU
1650	2063	60	900	106.4	195.5	NC	II	NC
1820	2275	60	900	116.9	195.5	NC	II	NC
1760	2200	50	1000	116.4	200.0	NC	II	NC
1940	2425	50	1000	127.7	200.0	NC	II	NC

### SPECIFICATIONS

In-line 6, 4-Stroke-Cycle Diesel		
Aspiration	TA	
Bore x Stroke	11.0 x 11.8 in	280 x 300 mm
Displacement	6773 cu in	111 liter
Rotation (from flywheel end)	Counterclockwise	
Engine dry weight (approx)	34,500 lb	15,680 kg
Generator weight (approx)	18,000 lb	8165 kg

### DIMENSIONS

	LE	LG	H	WE
min.	145 in/3691 mm	280.3 in/7120 mm	154.9 in/3934 mm	77.2 in/1961 mm
max.	145 in/3691 mm	280.3 in/7120 mm	154.9 in/3934 mm	77.2 in/1961 mm

# C280-8

## GENERATOR SET

### RATINGS AND FUEL CONSUMPTION

ekW@.8pf	kVA	Hz	rpm	U.S. g/h	g/bkW-hr	EPA	IMO	EU
2200	2750	60	900	136.5	188.6	T4C	III	NC
2420	3025	60	900	150.1	188.5	T4C	III	NC
2350	2938	50	1000	148.2	191.5	NC	II	NC
2600	3250	50	1000	161.4	189.3	NC	II	NC

### SPECIFICATIONS

In-line 8, 4-Stroke-Cycle Diesel		
<b>Aspiration</b>	TA	
<b>Bore x Stroke</b>	11.0 x 11.8 in	280 x 300 mm
<b>Displacement</b>	9031 cu in	148 liter
<b>Rotation (from flywheel end)</b>	Counterclockwise	
<b>Engine dry weight (approx)</b>	41,800 lb	19,000 kg
<b>Generator weight (approx)</b>	25,00 lb	11,340 kg

### DIMENSIONS

	LE	LG	H	WE
<b>min.</b>	178 in/4511 mm	316.5 in/8040 mm	155.0 in/3937 mm	77.2 in/1961 mm
<b>max.</b>	178 in/4511 mm	316.5 in/8040 mm	155.0 in/3937 mm	77.2 in/1961 mm

# C280-12

## GENERATOR SET

### RATINGS AND FUEL CONSUMPTION

ekW@.8pf	kVA	Hz	rpm	U.S. g/h	g/bkW-hr	EPA	IMO	EU
3300	4125	60	900	212.7	195.4	T4C	III	NC
3640	4550	60	900	233.8	195.5	T4C	III	NC
3520	4400	50	1000	232.7	199.9	NC	II	NC
3880	4850	50	1000	255.5	200.0	NC	II	NC

### SPECIFICATIONS

Vee 12, 4-Stroke-Cycle Diesel		
Aspiration	TA	
Bore x Stroke	11.0 x 11.8 in	280 x 300 mm
Displacement	13546 cu in	222 liter
Rotation (from flywheel end)	Counterclockwise	
Engine dry weight (approx)	27,276 lb	25,980 kg
Generator weight (approx)	33,000 lb	14,790 kg

### DIMENSIONS

	LE	LG	H	WE
min.	161 in/4087 mm	316.5 in/8040 mm	160.8 in/4085 mm	78.7 in/2000 mm
max.	161 in/4087 mm	316.5 in/8040 mm	160.8 in/4085 mm	78.7 in/2000 mm

# C280-16

Electronic Control System

## GENERATOR SET

### RATINGS AND FUEL CONSUMPTION

ekW@.8pf	kVA	Hz	rpm	U.S. g/h	g/bkW-hr	EPA	IMO	EU
4400	5500	60	900	272.9	188.5	T4C	III	NC
4840	6050	60	900	300.2	188.6	T4C	III	NC
4700	5875	50	1000	296.4	191.5	NC	II	NC
5200	6500	50	1000	322.8	189.3	NC	II	NC

### SPECIFICATIONS

Vee 16, 4-Stroke-Cycle Diesel		
Aspiration	TA	
Bore x Stroke	11.0 x 11.8 in	280 x 300 mm
Displacement	18,062 cu in	222 liter
Rotation (from flywheel end)	Counterclockwise	
Engine dry weight (approx)	68,343 lb	31,000 kg
Generator weight (approx)	40,000 lb	18,145 kg

### DIMENSIONS

	LE	LG	H	WE
min.	197 in/5007 mm	366.7 in/9314 mm	164.1 in/4167 mm	78.3 in/1990 mm
max.	197 in/5007 mm	366.7 in/9314 mm	164.1 in/4167 mm	78.3 in/1990 mm

# C7.1

## VARIABLE SPEED AUXILIARY ENGINE

### RATINGS AND FUEL CONSUMPTION

#### Variable Speed Auxiliary

bhp	bkW	rpm	U.S. g/h	g/bkW-hr	EPA	IMO	EU
280	208	2300	14.9	226.0	T3C	II	NC

### SPECIFICATIONS

In-line 6, 4-Stroke-Cycle Diesel		
Aspiration	TA	
Bore x Stroke	4.13 x 5.31 in	105 x 135 mm
Displacement	428 cu in	7.01 liter
Rotation (from flywheel end)	Counterclockwise	
Engine dry weight (approx)	1676 lb	760 kg

### DIMENSIONS

	LE	H	WE
min.	43.1 in/1095 mm	34.5 in/876 mm	31.4 in/798 mm
max.	43.1 in/1095 mm	34.5 in/876 mm	31.4 in/798 mm



# C9.3

## GENERATOR SET ENGINE/AUXILIARY

### RATINGS AND FUEL CONSUMPTION

#### Constant Speed

bhp	bkW	rpm	U.S. g/h	g/bkW-hr	EPA	IMO	EU
292	218*	1500	13.9	202.6	NC	II	CC2
282 <sup>1</sup>	210	1500	TBD	TBD	NC	II/III	NC
362	270*	1500	17.2	202.2	NC	II	CC2
351 <sup>1</sup>	262	1500	TBD	TBD	NC	II/III	NC
369	275*	1800	18.6	215.1	T3C	II	CC2
363 <sup>1</sup>	271	1800	TBD	TBD	NC	II/III	NC
436	325	1800	21.8	212.8	T3C	II	CC2

#### Variable Speed Auxiliary

bhp	bkW	rpm	U.S. g/h	g/bkW-hr	EPA	IMO	EU
375	280	1800	19.3	219.1	T3C	II	CC2

<sup>1</sup> Contact your local dealer for details on availability on IMO III ratings. Power may vary slightly from IMO II rating.

\* 300 bkW and lower CCNR2 ratings will not be available after December 2018. Contact your local dealer for availability.

### SPECIFICATIONS

In-line 6, 4-Stroke-Cycle Diesel		
Aspiration	TA	
Bore x Stroke	4.53 x 5.87 in	115 x 149 mm
Displacement	568 cu in	9.3 liter
Rotation (from flywheel end)	Counterclockwise	
Engine dry weight (approx)	2083 - 2474 lb	945 - 1122 kg

### DIMENSIONS

	LE	H	WE
min.	57.2 in/1452 mm	43.0 in/1093 mm	38.5 in/978 mm
max.	57.2 in/1452 mm	43.0 in/1093 mm	38.5 in/978 mm

## GENERATOR SET ENGINE/AUXILIARY

### RATINGS AND FUEL CONSUMPTION

#### IMO Tier II

bhp	bkW	rpm	U.S. g/h	g/bkW-hr	EPA	IMO	EU
404	301	1500	19.9	210.0	NC	II	IW
514*	383	1500	25.2	209.0	NC	II	IW
587*	438	1500	28.7	208.0	NC	II	IW
660*	492	1500	32.3	209.0	NC	II	IW
499*	372	1800	25.4	217.0	NC	II	IW
624	465	1800	31.5	215.0	NC	II	IW
803	599	1800	40.4	214	NC	II	IW

#### U.S. EPA Tier 3 & IMO Tier II

bhp	bkW	rpm	U.S. g/h	g/bkW-hr	EPA	IMO	EU
624	465	1800	32.2	220.2	T3C	II	NC
803	599	1800	40.1	212.7	T3C	II	NC

\* Contact your local dealer for details on availability on IMO III ratings. Power may vary slightly from IMO II rating.

### SPECIFICATIONS

In-line 6, 4-Stroke-Cycle Diesel		
Aspiration	TA, TTA	
Bore x Stroke	5.7 x 7.2 in	145 x 183 mm
Displacement	1106 cu in	
Rotation (from flywheel end)	Counterclockwise	
Generator set weight (approx)	4299 lb	1950 kg

### DIMENSIONS

	LE	H	WE
min.	73.0 in/1854 mm	51.2 in/1300 mm	44.6 in/1134 mm
max.	73.0 in/1854 mm	51.2 in/1300 mm	44.6 in/1134 mm

# C32

## GENERATOR SET ENGINE/AUXILIARY

### RATINGS AND FUEL CONSUMPTION

#### IMO Tier II/IMO Tier III

bhp	bkW	rpm	U.S. g/h	g/bkW-hr	EPA	IMO	EU
791	590	1500	37.9	203.8	NC	II	IW
923	688	1500	44.0	203.0	NC	II	IW
1172	874	1500	57.0	207.0	NC	II	IW
1172	874	1500	57.9	210.3	NC	II/III	NC
916	683	1800	45.3	210.8	NC	II	IW
1047	781	1800	51.8	210.4	NC	II	IW
1047	781	1800	TBD	TBD	NC	II/III	NC
1333	994	1800	64.9	207.2	NC	II	IW
1333	994	1800	65.1	207.9	NC	II/III	NC

#### U.S. EPA Tier 4 & IMO Tier III

bhp	bkW	rpm	U.S. g/h	g/bkW-hr	EPA	IMO	EU
1172	874	1500	55.6	202.1	NC	III	IW
1332	994	1800	64.0	204.4	T4C	III	IW

### SPECIFICATIONS

#### Vee 12, 4-Stroke-Cycle Diesel

<b>Aspiration</b>	TTA	
<b>Bore x Stroke</b>	5.7 x 6.4 in	145 x 162 mm
<b>Displacement</b>	1959 cu in	32.1 liter
<b>Rotation (from flywheel end)</b>	Counterclockwise	
<b>Engine dry weight (approx)</b>	6950 - 7160 lb	3152 - 3248 kg

### DIMENSIONS

	LE	H	WE
<b>min.</b>	83.5 in/2121 mm	60.9 in/1547 mm	60.2 in/1528 mm
<b>max.</b>	89.9 in/2284 mm	62.5 in/1587 mm	60.2 in/1528 mm

# 3500 SERIES

Electronic Control System

## AUXILIARY/DIESEL ELECTRIC PROPULSION

### RATINGS AND FUEL CONSUMPTION

#### DEP - 50 HZ

	bhp	bkW	rpm	U.S. g/h	g/bkW-hr	EPA	IMO	EU
<b>3512B</b>	1686	1257	1500	77.4	195.7	NC	II	NC
<b>3508C</b>	903	673	1500	44.4	209.4	NC	II	NC
<b>3508C</b>	1100	820	1500	53.2	206.1	NC	II	NC
<b>3512C</b>	1826	1362	1500	84.7	197.5	NC	II	NC
<b>3516C</b>	2303	1717	1500	110.3	203.9	NC	II	NC
<b>3516C</b>	2600	1940	1500	122.6	200.8	NC	II	NC

#### DEP - 60 HZ

	bhp	bkW	rpm	U.S. g/h	g/bkW-hr	EPA	IMO	EU
<b>3512C</b>	1920	1432	1800	91.9	204.0	NC	II	IW
<b>3512C</b>	2183	1628	1800	110.2	215.1	NC	II	IW
<b>3512C</b>	2400	1790	1800	119.7	212.4	NC	II	IW
<b>3516C</b>	2809	2095	1800	132.0	200.2	NC	II	IW
<b>3516C</b>	2984	2225	1800	140.6	200.1	NC	II	IW
<b>3516C</b>	3151	2350	1800	148.9	201.4	NC	II	IW
<b>3512E</b>	2188	1632	1800	104.0	202.4	T4C	III	NC
<b>3512E</b>	2400	1789	1800	113.2	200.9	T4C	III	NC
<b>3516E</b>	2576	1921	1800	122.7	202.9	T4C	III	NC
<b>3516E</b>	2822	2105	1800	135.1	203.7	T4C	III	NC
<b>3516E</b>	3176	2368	1800	152.4	204.3	T4C	III	NC

(continued)

# 3500 SERIES

Electronic Control System

## AUXILIARY/DIESEL ELECTRIC PROPULSION

(continued)

### RATINGS AND FUEL CONSUMPTION

#### Auxiliary - IMO Tier II & III/U.S. EPA T4F

	bhp	bkW	rpm	ekW*	EPA	IMO	EU
<b>3512C</b>	1920	1432	1800	1360	NC	II	NC
<b>3512C<sup>1</sup></b>	2183	1628	1800	1550	NC	II	NC
<b>3512C<sup>1</sup></b>	2394	1786	1800	1700	NC	II	NC
<b>3516C<sup>1</sup></b>	3151	2350	1800	2250	NC	II	NC
<b>3512E</b>	2188	1632	1800	1550	T4C	III	NC
<b>3512E</b>	2400	1789	1800	1700	T4C	III	NC
<b>3516E</b>	2576	1921	1800	1825	T4C	III	NC
<b>3516E</b>	2822	2105	1800	2000	T4C	III	NC
<b>3516E</b>	3176	2368	1800	2250	T4C	III	NC

<sup>1</sup> Ratings are high displacement (HD).

\* ekW is based on a 95% generator efficiency.

Contact dealer for design-to-order generator set solutions.

#### Variable Speed DEP

	bhp	bkW	rpm	U.S. g/h	g/bkW-hr	EPA	IMO	EU
<b>3512C</b>		1425	1600	*	*	NC	II	NC
<b>3512C</b>		1729	1800	*	*	NC	II	NC
<b>3512C</b>		1765	1800	*	*	NC	II	NC
<b>3516C</b>		1771	1600	*	*	NC	II	NC
<b>3516C</b>		1910	1800	*	*	NC	II	NC
<b>3516C</b>		2240	1800	*	*	NC	II	NC
<b>3516C</b>	3151	2350	1800	*	*	NC	II	NC
<b>3512E</b>	2400	1789	1800	119.7	199.9	T4C	III	NC
<b>3516E</b>	2576	1921	1800	122.7	202.9	T4C	III	NC
<b>3516E</b>	3176	2368	1800	152.3	204.3	T4C	III	NC

\* Contact your local dealer for technical specifications.

# 3500E SERIES

Electronic Control System

## AUXILIARY/DIESEL ELECTRIC PROPULSION

### SPECIFICATIONS

Vee 12, Vee 16, 4-Stroke-Cycle Diesel			
Aspiration		TA	
Bore x Stroke		6.7 x 8.5 in	170 x 215 mm
Displacement	3512E	3576 cu in	58.6 liter
	3516E	4766 cu in	78.1 liter
Engine dry weight (approx)	3512E	19,103 lb	8665 kg
	3516E	22,408 lb	10,164 kg

### DIMENSIONS

		LE	H	WE
3512E	min.	127.2 in/3232 mm	86.8 in/2205 mm	85.0 in/2160 mm
	max.	127.2 in/3232 mm	86.8 in/2205 mm	85.0 in/2160 mm
3516E	min.	148.5 in/3773 mm	87.6 in/2224 mm	89.9 in/2284 mm
	max.	148.5 in/3773 mm	87.6 in/2224 mm	89.9 in/2284 mm

# C280 SERIES

## AUXILIARY

### RATINGS AND FUEL CONSUMPTION

	bhp	bkW	rpm	U.S. g/h	g/bkW-hr	EPA	IMO	EU
<b>C280-6</b>	2320	1730	900	107.4	197.3	NC	II	NC
<b>C280-6</b>	2481	1850	1000	118.9	204.4	NC	II	NC
<b>C280-6</b>	2548	1900	900	118.6	198.4	NC	II	NC
<b>C280-6</b>	2722	2030	1000	131.7	206.2	NC	II	NC
<b>C280-8</b>	3084	2300	900	142.7	193.0	T4C	III	NC
<b>C280-8</b>	3299	2460	1000	153.2	197.9	NC	II	NC
<b>C280-8</b>	3393	2530	900	153.8	190.7	T4C	III	NC
<b>C280-8</b>	3634	2710	1000	170.3	199.7	NC	II	NC
<b>C280-12</b>	4640	3460	900	217.4	198.0	T4C	III	NC
<b>C280-12</b>	4962	3700	1000	237.7	204.2	NC	II	NC
<b>C280-12</b>	5096	3800	900	237.0	196.3	T4C	III	NC
<b>C280-12</b>	5444	4060	1000	263.4	206.2	NC	II	NC
<b>C280-16</b>	6169	4600	900	278.5	192.7	T4C	III	NC
<b>C280-16</b>	6598	4920	1000	306.4	197.9	NC	II	NC
<b>C280-16</b>	6785	5060	900	307.0	190.7	T4C	III	NC
<b>C280-16</b>	7268	5420	1000	340.6	199.7	NC	II	NC

C280 fuel rate is at rated power, BSFC is at full power condition.

(continued)

# C280 SERIES

## AUXILIARY

(continued)

### SPECIFICATIONS

In-line 6, In-line 8, Vee 12, Vee 16, 4-Stroke-Cycle Diesel			
<b>Aspiration</b>		TA	
<b>Bore x Stroke</b>		11.0 x 11.8 in	280 x 300 mm
<b>Displacement</b>	<b>C280-6</b>	6773 cu in	111 liter
	<b>C280-8</b>	9031 cu in	148 liter
	<b>C280-12</b>	13,546 cu in	222 liter
	<b>C280-16</b>	18,062 cu in	296 liter
<b>Engine dry weight (approx)</b>	<b>C280-6</b>	34,496 lb	15,680 kg
	<b>C280-8</b>	41,800 lb	19,000 kg
	<b>C280-12</b>	57,276 lb	25,980 kg
	<b>C280-16</b>	62,832 lb	28,500 kg

### DIMENSIONS

		L	LE	H	WE
<b>C280-6</b>	<b>min.</b>	168 in/4276 mm	145 in/3691 mm	108 in/2733 mm	68 in/1722 mm
	<b>max.</b>	168 in/4276 mm	145 in/3691 mm	108 in/2733 mm	68 in/1722 mm
<b>C280-8</b>	<b>min.</b>	219 in/5561 mm	178 in/4511 mm	104 in/2641 mm	68 in/1722 mm
	<b>max.</b>	219 in/5561 mm	178 in/4511 mm	104 in/2641 mm	68 in/1722 mm
<b>C280-12</b>	<b>min.</b>	191 in/4861 mm	161 in/4087 mm	140 in/3550 mm	69 in/1741 mm
	<b>max.</b>	191 in/4861 mm	161 in/4087 mm	140 in/3550 mm	69 in/1741 mm
<b>C280-16</b>	<b>min.</b>	216 in/5482 mm	197 in/5007 mm	125 in/3171 mm	67 in/1704 mm
	<b>max.</b>	216 in/5482 mm	197 in/5007 mm	125 in/3171 mm	67 in/1704 mm



# Cat Controls and Displays

## Controls

### Multi-Station Control System (MSCS)

MSCS provides engine and transmission control for single or dual engine applications with up to eight control stations. Control can be easily transferred from one station to another and the fully redundant backup system ensures propulsion system operation if the primary control system fails. Transmission shift logic prevents stalling the engine during quick shifting maneuvers.

## Displays

### CMD7 and CMD13

The Cat Marine Display (CMD) provides the operator with easy-to-read, high resolution graphics to monitor all vessel operations. The configurable screen allows for full user customization and visual simplicity.

All electronics are environmentally sealed for increased durability and safety and are built to reliably perform in extreme conditions. The CMD is available with a 7" or 13" screen size.



## CMD5

The new CMD5 is built on the same software platform as the CMD7 and 13. The new display comes with the common feel and functionality as the rest of the CMD product line including the built in configurable tool. With more compact size and front and rear



IP 66 rating, the CMD5 gives the customer options on installation locations. Customers will come to appreciate the tactile feel of the display's button navigation during rough seas.

*Coming soon. See your dealer for availability.*

## Control Panels

Cat Control Panels provide complete propulsion engine and generator set control and monitoring from local and remote locations, including engine start/stop capability, alarm and protection, user interface and communication. System modularity allows expansion of remote monitoring, input/output capabilities and programmable relays.

### MECP I (C9.3-C32 prop)

The MECP I is an inexpensive, basic control panel that can be mounted directly on the engine. It is not type-approved.

### MECP II (C9.3-C32 prop)

The MECP II is type-approved for manned and un-manned engine rooms. It provides local throttle control, a color display and advanced diagnostics and communications.

### MECP IIIB (C9.3-3500 prop, C175<sup>\*)</sup>, C280<sup>\*)</sup>)

The MECP IIIB has all the features of the MECP II and has additional I/O, supports more expansion modules and has extra space for customer options.

<sup>\*) See dealer for availability.</sup>

### **MCS3e (C4.4 – C7.1 ACERT genset)**

The MCS3e panel provides generator and engine monitoring to Marine Society specifications, including AC monitoring, load share (optionally enabled), MODbus and CANbus (J1939).

Multi position – left, right, rear, plus tower – remote mountable.  
Type-approved for manned and un-manned engine rooms.

### **EMCP 4.2 (C4.4 – C7.1 ACERT genset)**

The EMCP 4.2 panel provides generator and engine monitoring.

Multi position – left, right, rear, plus tower – remote mountable.

It is not type-approved.



### **EMCP 4.2 (C9.3 – C32 aux and genset)**

The EMCP 4.2 panel provides generator and engine monitoring.  
It is not type-approved.

### **MGCP II (C9.3-C32 aux and genset)**

The MGCP II is type-approved for manned and un-manned engine rooms. It provides local throttle control, a color display and advanced diagnostics and communications.

### **MGCP IIIB (C9.3-3500 aux and genset, C175<sup>\*)</sup>, C280<sup>\*)</sup>**

The MGCP IIIB has all the features of the MGCP II and has additional I/O, supports more expansion modules and has extra space for customer options.

<sup>\*) See dealer for availability.</sup>

### **L2 (3500 - C280)**

The L2 includes a CMPD as the main operator interface. It also has switches for engine protection override, prelube override, torque limit and manual speed control.

## **Accessories**

### **RTD Module**

The RTD Module monitors 8 RTD temperature sensors. It is generally used on a generator.

### **Thermocouple Module**

The TC Module monitors 20 thermocouple temperature sensors. It is generally used on an engine.

### **Remote Panel 220E (MECP/MGCP II and III only)**

The RP 220E can remotely monitor and start/stop two engines or gensets. Multiple RPs can be installed on a ship.

### **Remote Panel 410E (MECP/MGCP II and III only)**

The RP 410E can remotely monitor and start/stop eight engines or gensets and four IP cameras. Multiple RPs can be installed on a ship.

### **Remote I/O 410 Module (MECP/MGCP II and III only)**

The RIO 410 provides additional switch and sensor inputs for the control panel, as well as relay outputs. Up to four RIOs can be used with the IIIB panels, one with the II panels.

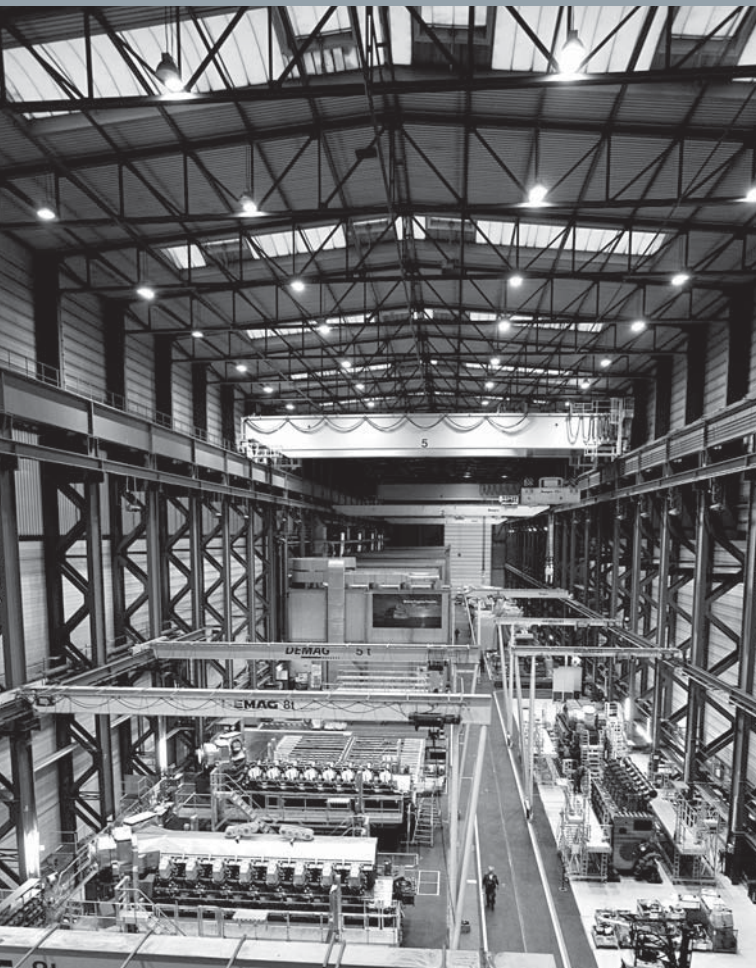
### **Relay Module (MECP/MGCP III only)**

The ARM provides 14 programmable relays. It can be connected to the Local Control Panel or to an RP.

### **Power Analyzer Module (MGCP II and III only)**

The PAM provides generator power information, such as phase voltage, current, power factor, Total Harmonic Distortion (THD), etc.

# MaK Medium-Speed and Dual Fuel Solutions



**MaK**



# MaK Propulsion Engines



## **MaK Marine Propulsion Engines**

Caterpillar Motoren GmbH & Co. KG and the excellent reputation of the MaK brand are based on more than 90 years of experience in the development, manufacture, and service of gas, diesel, and dual fuel engines.

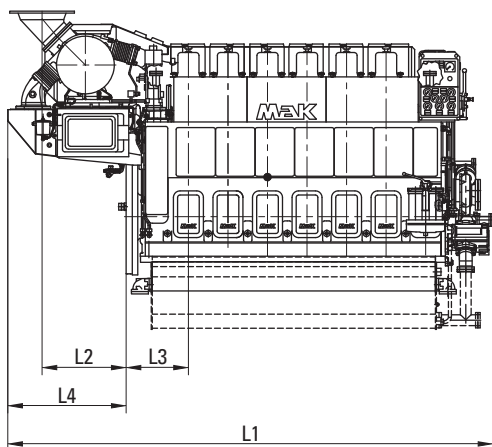
The current MaK product line, comprised of six medium-speed, four-stroke diesel and dual fuel engine models, ranges in power from 1,020 to 16,800 kW. MaK engines feature an extremely high level of reliability, low operating costs, simple installation and maintenance, and meet current engine exhaust emission standards. Please contact your local dealer for specific emissions compliance.

# M 20 C

## Propulsion Engine

### DIMENSIONS (mm) AND WEIGHTS (t)

Type	L1	L2	L3	L4	H1	H2	H3	H4	W1	W2	Weight	
											Wet sump	Dry sump
<b>6 M 20 C</b>	4049	702	520	988	1714	630	330	941	1591	627	11.5	10.9
<b>8 M 20 C</b>	4846	802	520	1125	1856	630	330	941	1727	710	14.5	13.8
<b>9 M 20 C</b>	5176	802	520	1125	1856	630	330	941	1727	710	16.0	15.0



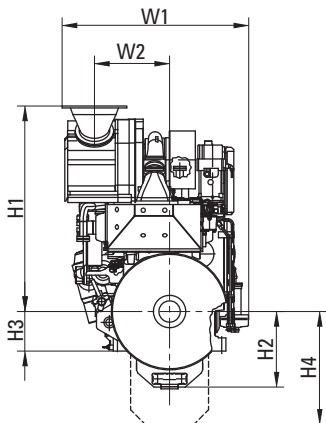


# TECHNICAL DATA

Type	Output range		Speed	Mean eff. pressure	Mean piston speed	Spec. fuel consumption	
						100%	85%
	kW	mhp	rpm	bar	m/s	g/kWh	g/kWh
<b>6 M 20 C</b>	1020	1390	900	24.1	9.0	189	188
	1080	1469	900	25.5	9.0	191	189
	1140	1550	1000	24.2	10.0	190	189
	1200	1632	1000	25.5	10.0	192	190
<b>8 M 20 C</b>	1360	1850	900	24.1	9.0	189	188
	1440	1958	900	25.5	9.0	191	189
	1520	2070	1000	24.2	10.0	190	189
	1600	2176	1000	25.5	10.0	192	190
<b>9 M 20 C</b>	1530	2082	900	24.1	9.0	189	188
	1620	2203	900	25.5	9.0	191	189
	1710	2326	1000	24.2	10.0	190	189
	1800	2448	1000	25.5	10.0	192	190

Stroke: 300 mm  
Bore: 200 mm

Specific lubricating oil consumption 0.6 g/kWh



Engine centre distance: 2010 mm

Removal of cylinder liner:  
in transverse direction: 1910 mm  
in longitudinal direction: 2085 mm

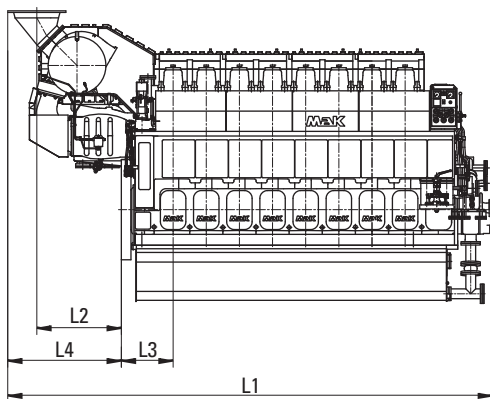
Engine with turbocharger at free end available, ask for dimensions.

# M 25 C

## Propulsion Engine

### DIMENSIONS (mm) AND WEIGHTS (t)

Type	L1	L2	L3	L4	H1	H2	H3	H4	W1	W2	Weight	
											Wet sump	Dry sump
<b>6 M 25 C</b>	5345	1068	672	1390	2526	861	460	1191	2237	977	23.5	21.2
<b>8 M 25 C</b>	6289	1097	672	1474	2578	861	460	1191	2291	977	30.0	28.5
<b>9 M 25 C</b>	6719	1097	672	1474	2578	861	460	1191	2291	977	32.0	30.0

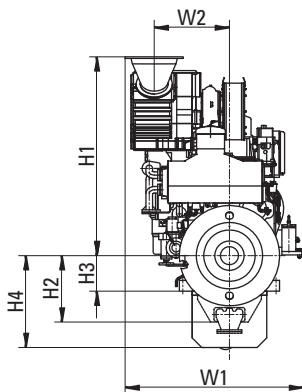


# TECHNICAL DATA

Type	Output range		Speed	Mean eff. pressure	Mean piston speed	Spec. fuel consumption	
						100%	85%
	kW	mhp	rpm	bar	m/s	g/kWh	g/kWh
<b>6 M 25 C</b>	1740	2370	720	23.7	9.6	185	184
	1800	2450	750	23.5	10.0	185	184
	2000	2720	720	27.2	9.6	188	185
	2000	2720	750	26.1	10.0	186	184
<b>8 M 25 C</b>	2320	3160	720	23.7	9.6	185	184
	2400	3260	750	23.5	10.0	185	184
	2666	3630	720	27.2	9.6	189	185
	2666	3630	750	26.1	10.0	187	184
<b>9 M 25 C</b>	2610	3550	720	23.7	9.6	185	184
	2700	3670	750	23.5	10.0	185	184
	3000	4080	720	27.2	9.6	189	185
	3000	4080	750	26.1	10.0	187	184

Stroke: 400 mm  
Bore: 255 mm

Specific lubricating oil consumption 0.6 g/kWh



Engine centre distance: 2500 mm

Removal of cylinder liner:  
in transverse direction: 2510 mm  
in longitudinal direction: 2735 mm

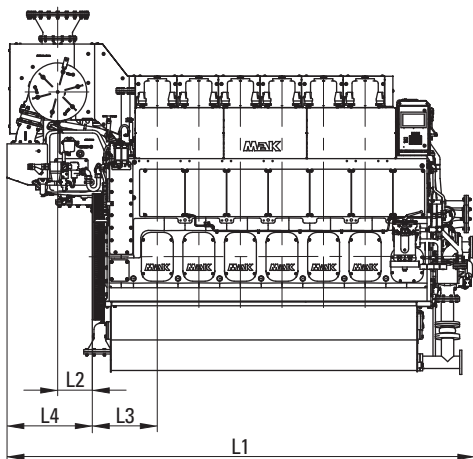
Engine with turbocharger at free end available, ask for dimensions.

# M 25 E

## Propulsion Engine

### DIMENSIONS (mm) AND WEIGHTS (t)

Type	L1	L2	L3	L4	H1	H2	H3	H4	W1	W2	Weight	
											Wet sump	Dry sump
6 M 25 E	4840	358	672	883	2255	861	460	1191	2080	850	23.5	21.2
8 M 25 E	5700	338	672	883	2430	861	460	1191	2230	937	30.0	28.5
9 M 25 E	6130	338	672	883	2430	861	460	1191	2230	937	32.0	30.0

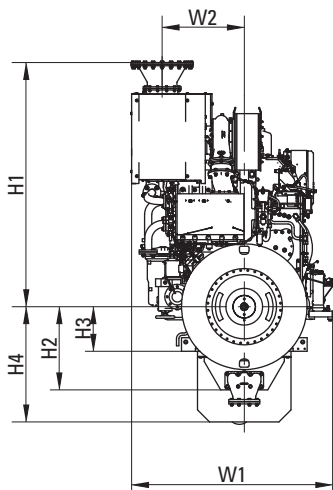


# TECHNICAL DATA

Type	Output range		Speed	Mean eff. pressure	Mean piston speed	Spec. fuel consumption	
						100%	85%
	kW	mhp	rpm	bar	m/s	g/kWh	g/kWh
<b>6 M 25 E</b>	2100	2856	720	28.6	9.6	187	183
	2100	2856	750	27.4	10.0	187	183
<b>8 M 25 E</b>	2800	3808	720	28.6	9.6	187	183
	2800	3808	750	27.4	10.0	187	183
<b>9 M 25 E</b>	3150	4284	720	28.6	9.6	187	183
	3150	4284	750	27.4	10.0	187	183

Stroke: 400 mm  
Bore: 255 mm

Specific lubricating oil consumption 0.6 g/kWh,  
Reduced part load fuel consumption available for constant and variable speed.



Engine centre distance: 2500 mm

Removal of cylinder liner:  
in transverse direction: 2510 mm  
in longitudinal direction: 2735 mm

Engine with turbocharger at free end available, ask for dimensions.

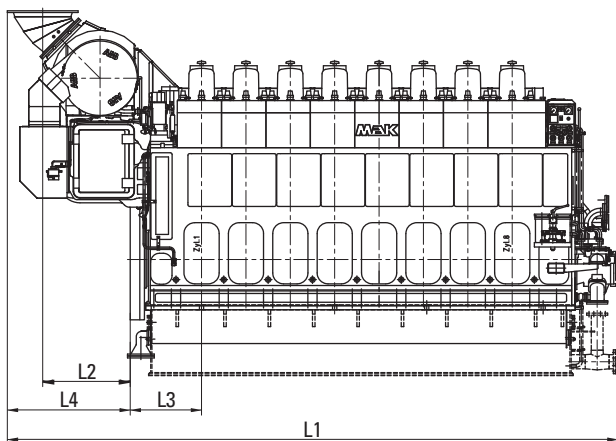
Please contact us for lead times.

# M 32 C

## Propulsion Engine

### DIMENSIONS (mm) AND WEIGHTS (t)

Type	L1	L2	L3	L4	H1	H2	H3	H4	W1	W2	W3	Weight	
												Wet sump	Dry sump
<b>6 M 32 C</b>	5936	788	852	1170	2784	1052	550	1392	2368	962	2140	41.6	39.5
<b>8 M 32 C</b>	7293	1044	852	1467	2969	1052	550	1392	2182	262	2140	51.7	49.0
<b>9 M 32 C</b>	7823	1044	852	1467	2969	1052	550	1392	2182	262	2140	55.0	52.0

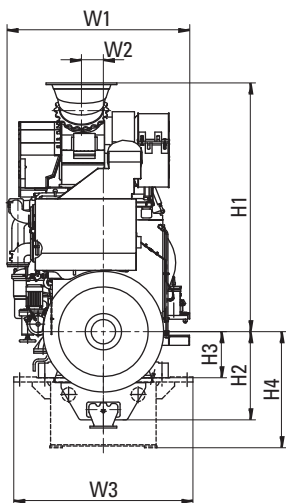


# TECHNICAL DATA

Type	Output range		Speed	Mean eff. pressure	Mean piston speed	Spec. fuel consumption	
	kW	mhp				100%	85%
			g/kWh	g/kWh			
<b>6 M 32 C</b>	2880	3920	600	24.9	9.6	177	176
	3000	4080	600	25.9	9.6	177	176
<b>8 M 32 C</b>	3840	5220	600	24.9	9.6	177	176
	4000	5440	600	25.9	9.6	177	176
<b>9 M 32 C</b>	4320	5880	600	24.9	9.6	177	176
	4500	6120	600	25.9	9.6	177	176

Stroke: 480 mm  
Bore: 320 mm

Specific lubricating oil consumption 0.6 g/kWh



Engine centre distance: 2800 mm\*

Removal of cylinder liner:  
in transverse direction: 3040 mm  
in longitudinal direction: 3405 mm

Engine with turbocharger at free end available, ask for dimensions.

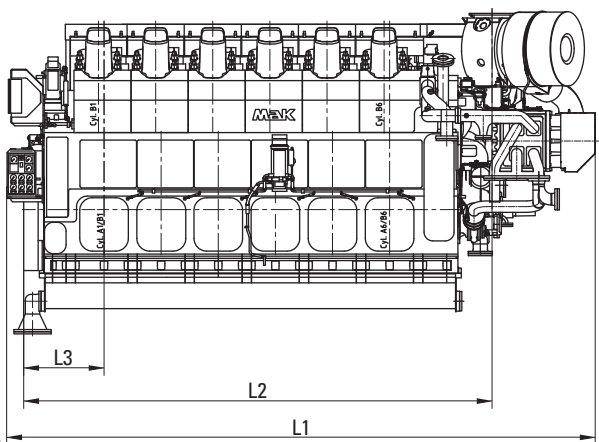
\* If turbocharger is located on opposite coupling side, the water cover of the charge air cooler must be dismantled.

# VM 32 C

Propulsion Engine

## DIMENSIONS (mm) AND WEIGHTS (t)

Type	L1	L2	L3	H1	H2	H3	W1	W2	Weight
<b>12 M 32 C</b>	6956	5535	949	2319	1205	750	2985	1133	65.0
<b>16 M 32 C</b>	8328	6885	949	2319	1205	750	2985	1133	82.0



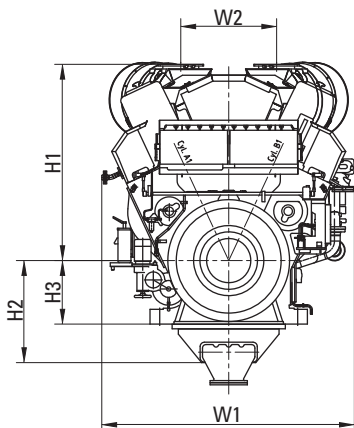


# TECHNICAL DATA

Type	Output range		Speed	Mean eff. pressure	Mean piston speed	Spec. fuel consumption	
						100%	85%
	kW	mhp	rpm	bar	m/s	g/kWh	g/kWh
<b>12 M 32 C</b>	6000	8160	720	22.5	11.0	178	177
	6000	8160	750	21.6	11.5	179	179
<b>16 M 32 C</b>	8000	10880	720	22.5	11.0	178	177
	8000	10880	750	21.6	11.5	179	179

Stroke: 460 mm  
Bore: 320 mm

Specific lubricating oil consumption 0.6 g/kWh



Engine centre distance: 3500 mm

Removal of cylinder liner:  
in transverse direction: 2836 mm

This engine is only available with dry oil sump.

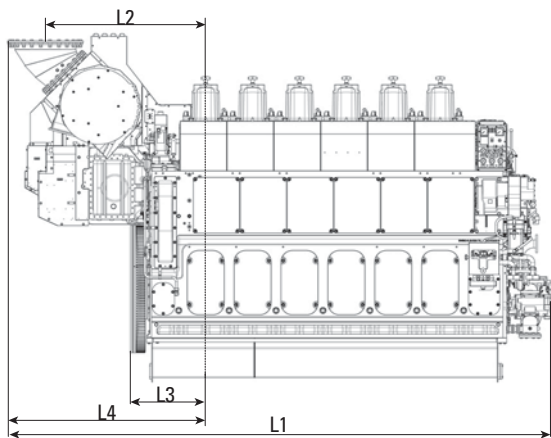
Engine with turbocharger at driving end available, ask for dimensions.

# M 32 E

## Propulsion Engine

### DIMENSIONS (mm) AND WEIGHTS (t)

Type	L1	L2	L3	L4	H1	H2	H3	H4	W1	W2	Weight
<b>6 M 32 E</b>	6,148	1,812	852	2,240	2,900	1,052	550	1,220	2,368	126	37.5
<b>8 M 32 E</b>	7,318	1,837	852	2,265	3,053	1,052	550	1,220	2,182	190	46.4
<b>9 M 32 E</b>	7,848	1,837	852	2,265	3,053	1,052	550	1,220	2,182	190	49.4

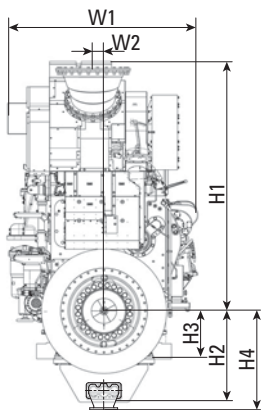


# TECHNICAL DATA

Type	Output range		Speed	Mean eff. pressure	Mean piston speed	Spec. fuel consumption	
						100%	85%
	kW	mhp	rpm	bar	m/s	g/kWh	g/kWh
<b>6 M 32 E</b>	3300	4488	720	24.8	11.0	179	178
	3300	4488	750	23.8	11.5	179	178
<b>8 M 32 E</b>	4400	5984	720	24.8	11.0	179	178
	4400	5984	750	23.8	11.5	179	178
<b>9 M 32 E</b>	4950	6732	720	24.8	11.0	179	178
	4950	6732	750	23.8	11.5	179	178

Stroke: 460 mm  
Bore: 320 mm

Specific lubricating oil consumption 0.6 g/kWh,  
Reduced part load fuel consumption available for constant and variable speed.



Engine centre distance: 2800 mm

Removal of cylinder liner:  
in transverse direction: 3040 mm  
in longitudinal direction: 3400 mm

Engine with turbocharger at free end available, ask for dimensions.

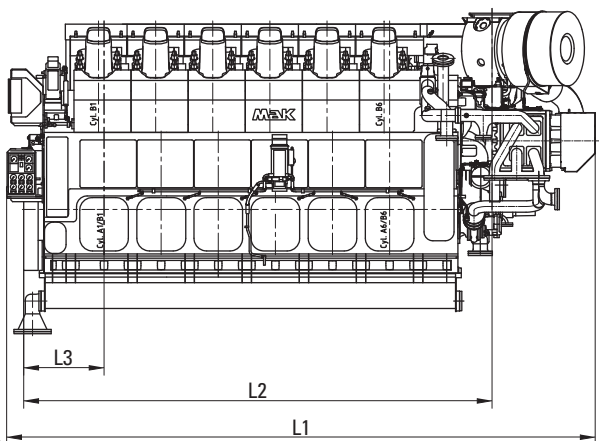
Please contact us for lead times.

# VM 32 E

Propulsion Engine

## DIMENSIONS (mm) AND WEIGHTS (t)

Type	L1	L2	L3	H1	H2	H3	W1	W2	Weight
12 M 32 E	6956	5535	949	2319	1205	750	2985	1133	65.0
16 M 32 E	8328	6885	949	2319	1205	750	2985	1133	82.0

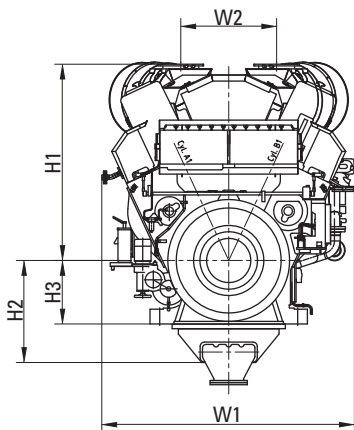


# TECHNICAL DATA

Type	Output range		Speed	Mean eff. pressure	Mean piston speed	Spec. fuel consumption	
	kW	mhp				100%	85%
			rpm	bar	m/s	g/kWh	g/kWh
12 M 32 E	6360	8650	720	23.9	11.0	178	177
	6360	8650	750	22.9	11.5	179	179
	6720*	9139	720	25.2	11.0	178	177
	6720*	9139	750	24.2	11.5	179	179
16 M 32 E	8480	11533	720	23.8	11.0	178	177
	8480	11533	750	22.9	11.5	179	179
	8960*	12186	720	25.2	11.0	181	177
	8960*	12186	750	24.2	11.5	182	179

\* MDO only  
Stroke: 460 mm  
Bore: 320 mm

Specific lubricating oil consumption 0.6 g/kWh,  
Reduced part load fuel consumption available for constant and variable speed.



Engine centre distance: 3500 mm

Removal of cylinder liner:  
in transverse direction: 2836 mm

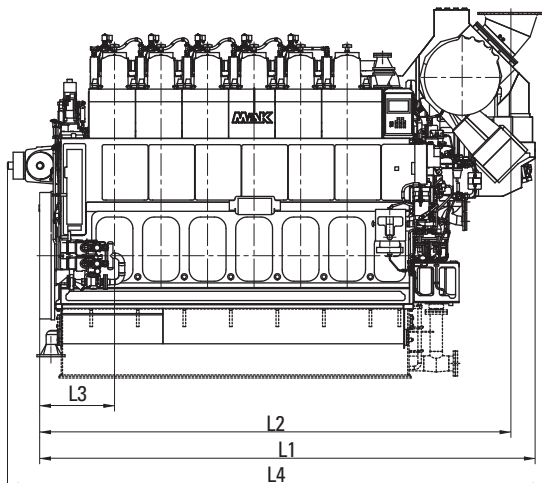
Engine with turbocharger at driving  
end available, ask for dimensions.

# M 34 DF

## Propulsion Engine

### DIMENSIONS (mm) AND WEIGHTS (t)

Type	L1	L2	L3	L4	H1	H2	H3	H4	H5	W1	W2	W3	Weight
<b>6 M 34 DF</b>	5645	5366	852	6109	2767	1052	550	2817	1392	2291	126	2140	39.5
<b>8 M 34 DF</b>	6704	6533	852	7325	2970	1052	550	2995	1392	2291	191	2140	49.0
<b>9 M 34 DF</b>	7234	7063	852	7855	2970	1052	550	2995	1392	2291	191	2140	52.0

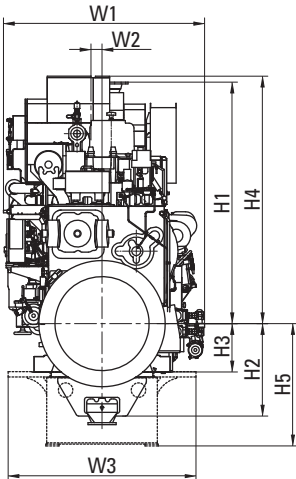


# TECHNICAL DATA

Type	Output range		Speed	Mean eff. pressure	Mean piston speed	Spec. fuel consumption (Diesel mode)		Total spec energy consumption (Gas mode)	
	kW	mhp				100%	85%	100%	85%
			rpm	bar	m/s	g/kWh		kJ/kWh	
<b>6 M 34 DF</b>	3060	4162	720	20.3	11.0	188/187		7520/7680	
	3180	4325	750	20.2	11.5	188/187		7520/7680	
<b>8 M 34 DF</b>	4080	5549	720	20.3	11.0	188/187		7520/7680	
	4240	5766	750	20.2	11.5	188/187		7520/7680	
<b>9 M 34 DF</b>	4690	6242	720	20.3	11.0	188/187		7520/7680	
	4770	6487	750	20.2	11.5	188/187		7520/7680	

Stroke: 460 mm  
Bore: 340 mm

Maximum continuous rating according to ISO 3046/1.



Engine centre distance: 2800 mm

Removal of cylinder liner:  
in transverse direction: 3040 mm  
in longitudinal direction: 3400 mm

Engine with turbocharger at free end available, ask for dimensions.

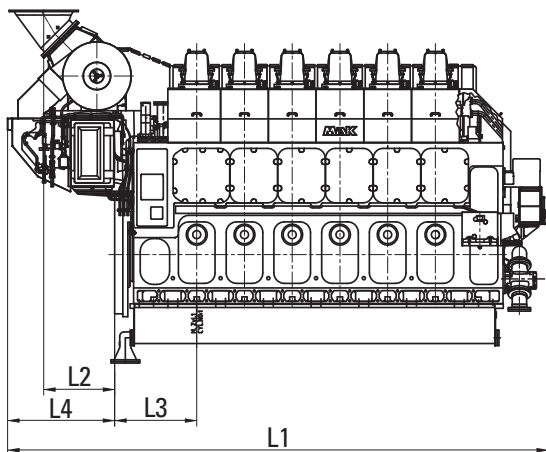
Please contact us for lead times.

# M 43 C

## Propulsion Engine

### DIMENSIONS (mm) AND WEIGHTS (t)

Type	L1	L2	L3	L4	H1	H2	H3	W1	W2	Weight
<b>6 M 43 C</b>	8271	1086	1255	1638	3734	1396	750	2878	215	91.0
<b>7 M 43 C</b>	9068	1119	1255	1704	4105	1396	750	2878	232	107.0
<b>8 M 43 C</b>	9798	1119	1255	1704	4105	1396	750	2878	232	117.0
<b>9 M 43 C</b>	10528	1119	1255	1704	4105	1396	750	2878	232	127.0



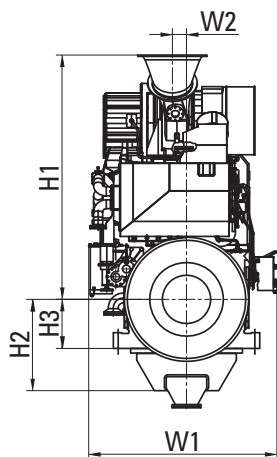


# TECHNICAL DATA

Type	Output range		Speed	Mean eff. pressure	Mean piston speed	Spec. fuel consumption	
	kW	mhp				100%	85%
			g/kWh	g/kWh			
6 M 43 C	6000	8160	500	27.1	10.2	176	175
	6000	8160	514	26.4	10.5	176	175
	6300	8568	500	28.4	10.2	178	176
	6300	8568	514	27.7	10.5	178	176
7 M 43 C	7000	9520	500	27.1	10.2	176	176
	7000	9520	514	26.4	10.5	176	175
	7350	9996	500	28.4	10.2	178	176
	7350	9996	514	27.7	10.5	178	176
8 M 43 C	8000	10880	500	27.1	10.2	176	175
	8000	10880	514	26.4	10.5	176	175
	8400	11424	500	28.4	10.2	178	176
	8400	11424	514	27.7	10.5	178	176
9 M 43 C	9000	12240	500	27.1	10.2	176	175
	9000	12240	514	26.4	10.5	176	175
	9450	12852	500	28.4	10.2	178	176
	9450	12852	514	27.7	10.5	178	176

Stroke: 610 mm  
Bore: 430 mm

Specific lubricating oil consumption 0.6 g/kWh



Engine centre distance: 3400 mm

Removal of cylinder liner:  
in transverse direction: 4165 mm  
in longitudinal direction: 4610 mm

This engine is only available with dry oil sump.

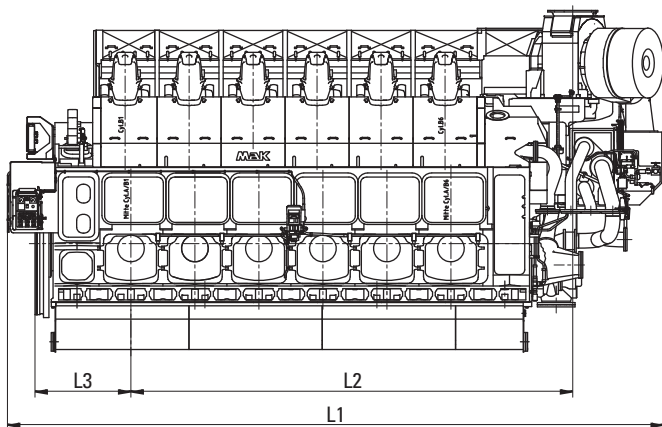
Engine with turbocharger at driving end available, ask for dimensions.

# VM 43 C

## Propulsion Engine

### DIMENSIONS (mm) AND WEIGHTS (t)

Type	L1	L2	L3	H1	H2	H3	W1	W2	Weight
<b>12 M 43 C</b>	9842	6628	1440	3497	1625	875	3890	1685	160.0
<b>16 M 43 C</b>	11943	8533	1440	3473	1625	875	4027	1670	220.0

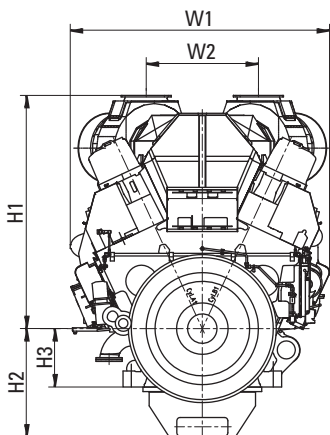


# TECHNICAL DATA

Type	Output range		Speed	Mean eff. pressure	Mean piston speed	Spec. fuel consumption	
	kW	mhp	rpm	bar	m/s	100%	85%
						g/kWh	g/kWh
<b>12 M 43 C</b>	12000	16320	500	27.1	10.2	176	175
	12000	16320	514	26.4	10.5	176	175
	12600	17136	500	28.4	10.2	177	176
	12600	17136	514	27.7	10.5	177	176
<b>16 M 43 C</b>	16000	21760	500	27.1	10.2	176	175
	16000	21760	514	26.4	10.5	176	175
	16800	22848	500	28.4	10.2	177	176
	16800	22848	514	27.7	10.5	177	176

Stroke: 610 mm  
Bore: 430 mm

Specific lubricating oil consumption 0.6 g/kWh



Engine centre distance: 4500 mm

Removal of cylinder liner:  
in transverse direction: 3700 mm

This engine is only available with dry oil sump.

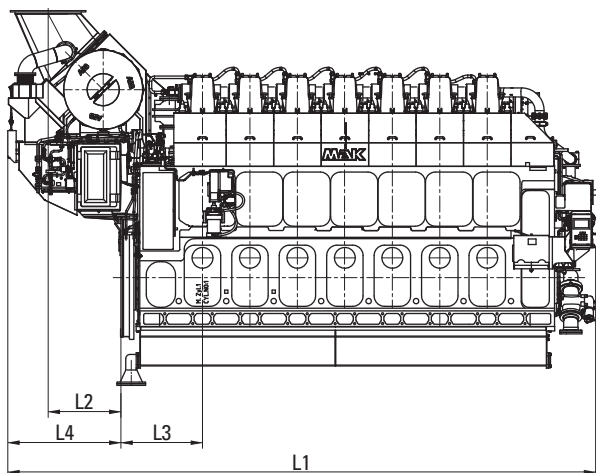
Engine with turbocharger at driving end available, ask for dimensions.

# M 46 DF

## Propulsion Engine

### DIMENSIONS (mm) AND WEIGHTS (t)

Type	L1	L2	L3	L4	H1	H2	H3	W1	W2	Weight
<b>6 M 46 DF</b>	8330	1086	1255	1723	3734	1396	750	2961	215	96.0
<b>7 M 46 DF</b>	9068	1119	1255	1740	4105	1396	750	2961	232	109.0
<b>8 M 46 DF</b>	9798	1119	1255	1740	4105	1396	750	2961	232	119.0
<b>9 M 46 DF</b>	10768	1119	1255	1740	4105	1396	750	2961	232	131.0



# TECHNICAL DATA

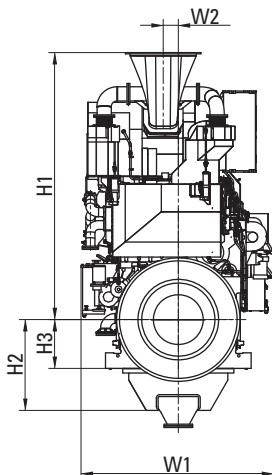
Type	Output range		Speed	Mean eff. pressure	Mean piston speed	Spec. fuel consumption (Diesel mode)		Total spec. energy consumption (Gas mode)	
	kW	mhp				rpm	bar	m/s	100%
						g/kWh			
<b>6 M 46 DF</b>	5400	7344	500/514	21.3/20.7	10.2/10.5	186/185		7441/7524	
	5790*	7874	500	22.8	10.2	185/183		7350/7460	
	5790*	7874	514	22.2	10.5	186/184		7350/7460	
<b>7 M 46 DF</b>	6300	8568	500/514	21.3/20.7	10.2/10.5	186/185		7441/7524	
	6755*	9187	500	22.8	10.2	185/183		7350/7460	
	6755*	9187	514	22.2	10.5	186/184		7350/7460	
<b>8 M 46 DF</b>	7200	9792	500/514	21.3/20.7	10.2/10.5	186/185		7441/7524	
	7720*	10499	500	22.8	10.2	185/183		7350/7460	
	7720*	10499	514	22.2	10.5	186/184		7350/7460	
<b>9 M 46 DF</b>	8100	11016	500/514	21.3/20.7	10.2/10.5	186/185		7441/7524	
	8685*	11812	500	22.8	10.2	185/183		7350/7460	
	8685*	11824	514	22.2	10.5	186/184		7350/7460	

\* MDO only

Specific lubricating oil consumption 0.6 g/kWh

Stroke: 610 mm

Bore: 460 mm



Engine centre distance: 3400 mm

Removal of cylinder liner:  
in transverse direction: 4165 mm  
in longitudinal direction: 4610 mm

This engine is only available with dry oil sump.

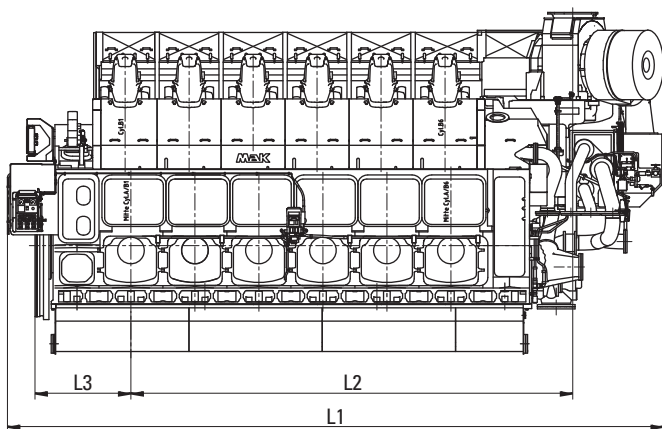
Engine with turbocharger at free end available, ask for dimensions.

# VM 46 DF

## Propulsion Engine

### DIMENSIONS (mm) AND WEIGHTS (t)

Type	L1	L2	L3	H1	H2	H3	W1	W2	Weight
12 M 46 DF	9847	6628	1440	3497	1625	875	3890	1685	160.0
16 M 46 DF	11943	8533	1440	3473	1625	875	4027	1670	220.0

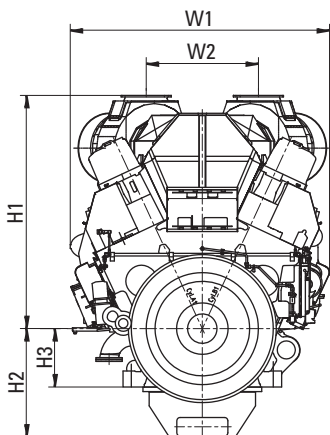


# TECHNICAL DATA

Type	Output range		Speed	Mean eff. pressure	Mean piston speed	Spec. fuel consumption (Diesel mode)		Total spec. energy consumption (Gas mode)	
	kW	mhp	rpm	bar	m/s	100%	85%	100%	85%
						g/kWh		kJ/kWh	
<b>12 M 46 DF</b>	10800	14688	500	21.3	10.2	184/184		7272/7417	
	10800	14688	514	20.7	10.5	184/184		7272/7417	
	11580	15749	500	22.8	10.2	184/182		7350/7370	
	11580	15749	514	22.2	10.5	185/183		7350/7370	
<b>16 M 46 DF</b>	14400	19584	500	21.3	10.2	184/184		7272/7417	
	14400	19584	514	20.7	10.5	184/184		7272/7417	
	15440	20998	500	22.8	10.2	184/182		7350/7370	
	15440	20998	514	22.2	10.5	185/183		7350/7370	

Stroke: 610 mm  
Bore: 460 mm

Specific lubricating oil consumption 0.6 g/kWh



Engine centre distance: 4500 mm

Removal of cylinder liner:  
in transverse direction: 3700 mm

This engine is only available with dry oil sump.

Engine with turbocharger at free end available, ask for dimensions.

Please contact us for lead times.





# MaK Generator Sets



## MaK Marine Generator Sets

Today's shipping industry relies on dependable on-board electrical power generation.

MaK auxiliary diesel engines ensure the availability of electrical power, wherever and whenever needed.

For navigational equipment, monitoring installations, refrigerated containers, lighting, pumps, heating, or ventilation, MaK auxiliary engines are the right choice.

As with MaK propulsion engines, these auxiliary engines can be operated with economical Heavy Fuel Oil (HFO), and meet NO<sub>x</sub> limits according to IMO Code Revised MARPOL, Annex VI, NO<sub>x</sub> Technical Code 2008, (IMO Tier II).

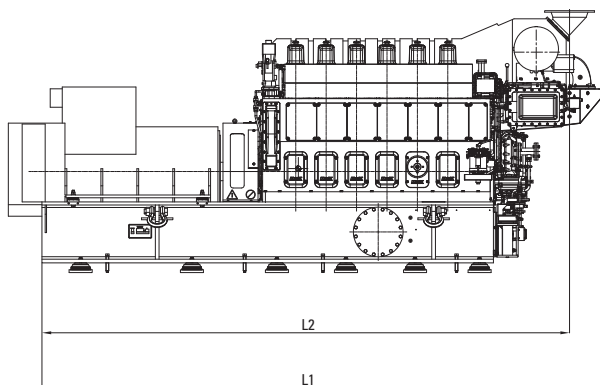
# M 20 C

## Generator Set

### DIMENSIONS (mm) AND WEIGHTS (t)

Type	L1*	L2*	H1	H2	W1	W2	Weight*
<b>6 M 20 C</b>	6073	5727	1779	1054	1800	627	19.0
<b>8 M 20 C</b>	6798	6475	1956	1054	1800	710	24.0
<b>9 M 20 C</b>	7125	6802	1956	1054	1800	710	26.5

\* Dependent on generator make/type

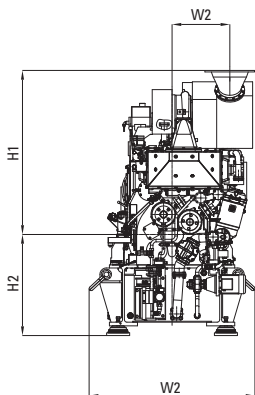


# TECHNICAL DATA

Type	Engine rating	Output range		Frequency	Speed	Mean eff. pressure	Mean piston speed	Spec. fuel consumption	
								100%	85%
	kW	kWe	kVA	Hz	rpm	bar	m/s	g/kWh	g/kWh
<b>6 M 20 C</b>	1020	979	1224	60	900	24.1	9.0	189	188
	1080	1036	1296	60	900	25.5	9.0	191	189
	1140	1094	1368	50	1000	24.2	10.0	190	189
	1200	1151	1440	50	1000	25.5	10.0	192	190
<b>8 M 20 C</b>	1360	1306	1632	60	900	24.1	9.0	189	188
	1440	1381	1728	60	900	25.5	9.0	191	189
	1520	1459	1824	50	1000	24.2	10.0	190	189
	1600	1534	1920	50	1000	25.5	10.0	192	190
<b>9 M 20 C</b>	1530	1468	1836	60	900	24.1	9.0	189	188
	1620	1553	1944	60	900	25.5	9.0	191	189
	1710	1641	2052	50	1000	24.2	10.0	190	189
	1800	1726	2160	50	1000	25.5	10.0	192	190

Stroke: 300 mm  
Bore: 200 mm

Specific lubricating oil consumption 0.6 g/kWh,  
Generator efficiency: 0.96, cos  $\phi$ : 0.8



Genset centre distance: min. 2010 mm

Removal of cylinder liner:  
in transverse direction: 1910 mm  
in longitudinal direction: 2085 mm

Engine with turbocharger at driving end available, ask for dimensions.

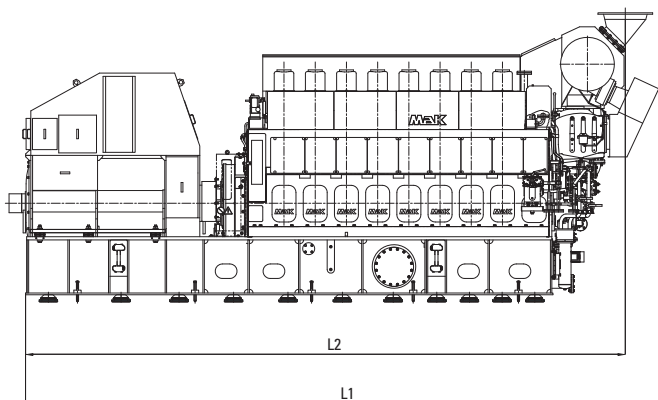
# M 25 C

## Generator Set

### DIMENSIONS (mm) AND WEIGHTS (t)

Type	L1*	L2*	H1	H2	W1	W2	Weight*
<b>6 M 25 C</b>	8126	7638	2571	1335	2479	977	39.5
<b>8 M 25 C</b>	8722	8262	2623	1335	2534	977	51.5
<b>9 M 25 C</b>	9516	9057	2623	1335	2534	977	56.0

\* Dependent on generator make/type

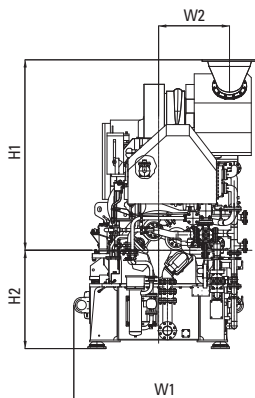


# TECHNICAL DATA

Type	Engine rating		Output range		Frequency	Speed	Mean eff. pressure	Mean piston speed	Spec. fuel consumption	
	kW	kWe	kVA	Hz					rpm	bar
<b>6 M 25 C</b>	1740	1669	2088	60	720	23.6	9.6	185	184	
	1800	1726	2160	50	750	23.5	10.0	185	184	
	2000	1918	2400	60	720	27.2	9.6	188	185	
	2000	1918	2400	50	750	26.1	10.0	186	184	
<b>8 M 25 C</b>	2320	2225	2784	60	720	23.6	9.6	185	184	
	2400	2302	2880	50	750	23.5	10.0	185	184	
	2666	2557	3199	60	720	27.2	9.6	189	185	
	2666	2557	3199	50	750	26.1	10.0	187	184	
<b>9 M 25 C</b>	2610	2503	3132	60	720	23.6	9.6	185	184	
	2700	2589	3240	50	750	23.5	10.0	185	184	
	3000	2877	3600	60	720	27.2	9.6	189	185	
	3000	2877	3600	50	750	26.1	10.0	187	184	

Stroke: 400 mm  
Bore: 255 mm

Specific lubricating oil consumption 0.6 g/kWh,  
Generator efficiency: 0.96,  $\cos \varphi$ : 0.8



Genset centre distance: min. 2700 mm

Removal of cylinder liner:  
in transverse direction: 2510 mm  
in longitudinal direction: 2735 mm

Engine with turbocharger at driving end available, ask for dimensions.

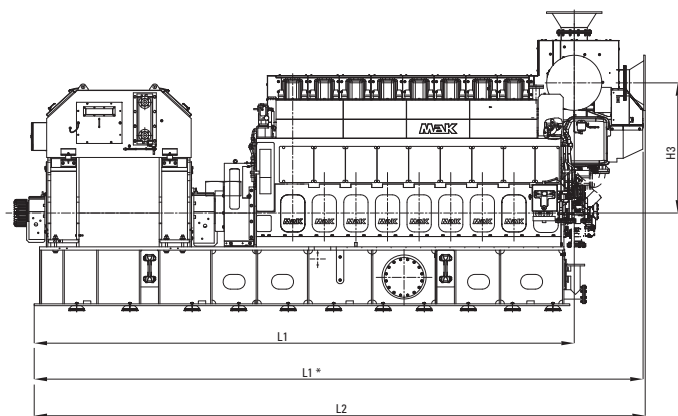
# M 25 E

## Generator Set

### DIMENSIONS (mm) AND WEIGHTS (t)

Type	L1	L2	H1	H2	W1	W2	L1*	H3	Dry weight**
	Turbocharger nozzle position 0°						Turbocharger nozzle position 90°		
6 M 25 E	6776	7717	2555	1329	2357	850	7579	1734	39.5
8 M 25 E	7367	8313	2700	1329	2357	937	8283	1770	51.5
9 M 25 E	7855	8743	2700	1329	2357	937	8713	1770	56.0

\*\* Dependent on generator make/type



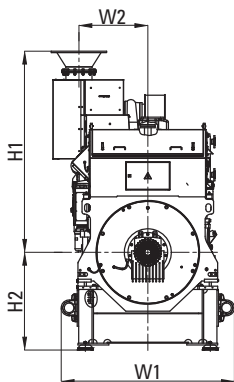
# TECHNICAL DATA

Type	Engine rating	Output range		Frequency	Speed	Mean eff. pressure	Mean piston speed	Spec. fuel consumption	
								100%	85%
	kW	kWe	kVA	Hz	rpm	bar	m/s	g/kWh	g/kWh
<b>6 M 25 E</b>	2100	2016	2625	60	720	28.56	9.6	187	183
	2100	2016	2625	50	750	27.4	10.0	187	183
<b>8 M 25 E</b>	2800	2688	3500	60	720	28.56	9.6	187	183
	2800	2688	3500	50	750	27.4	10.0	187	183
<b>9 M 25 E</b>	3150	3024	3938	60	720	28.56	9.6	187	183
	3150	3024	3938	50	750	27.4	10.0	187	183

Stroke: 400 mm  
Bore: 255 mm

Specific lubricating oil consumption 0.6 g/kWh,  
Generator efficiency: 0.96,  $\cos \varphi$ : 0.8

Reduced part load fuel consumption available for constant and variable speed



Genset centre distance: min. 2700 mm

Removal of cylinder liner:  
in transverse direction: 2510 mm  
in longitudinal direction: 2735 mm

Engine with turbocharger at driving end available, ask for dimensions.

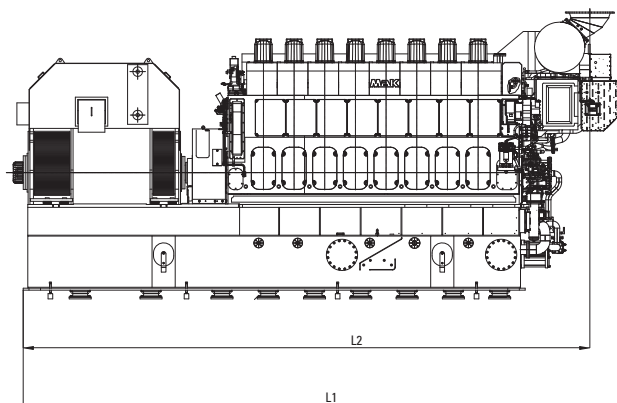
# M 32 C

## Generator Set

### DIMENSIONS (mm) AND WEIGHTS (t)

Type	L1*	L2*	H1	H2	W1	W2	Weight*
<b>6 M 32 C</b>	9127	8665	2622	2155	2752	183	70.0
<b>8 M 32 C</b>	10340	9850	2775	2155	2752	255	82.0
<b>9 M 32 C</b>	11245	10920	2775	2155	2752	255	91.0

\* Dependent on generator make/type



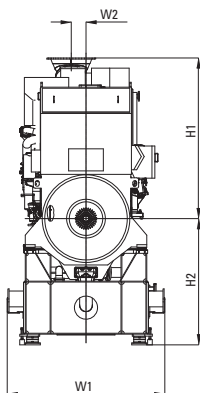


# TECHNICAL DATA

Type	Engine rating	Output range		Frequency	Speed	Mean eff. pressure	Mean piston speed	Spec. fuel consumption	
								100%	85%
	kW	kWe	kVA	Hz	rpm	bar	m/s	g/kWh	g/kWh
<b>6 M 32 C</b>	2880	2762	3456	50/60	600	24.9	9.6	177	176
	3000	2877	3600	50/60	600	25.9	9.6	177	176
<b>8 M 32 C</b>	3840	3682	4608	50/60	600	24.9	9.6	177	176
	4000	3836	4800	50/60	600	25.9	9.6	177	176
<b>9 M 32 C</b>	4320	4143	5184	50/60	600	24.9	9.6	177	176
	4500	4316	5400	50/60	600	25.9	9.6	177	176

Stroke: 480 mm  
Bore: 320 mm

Specific lubricating oil consumption 0.6 g/kWh,  
Generator efficiency: 0.96,  $\cos \varphi$ : 0.8



Genset centre distance: min. 3000 mm

Removal of cylinder liner:  
in transverse direction: 3040 mm  
in longitudinal direction: 3405 mm

Engine with turbocharger at driving end available, ask for dimensions.

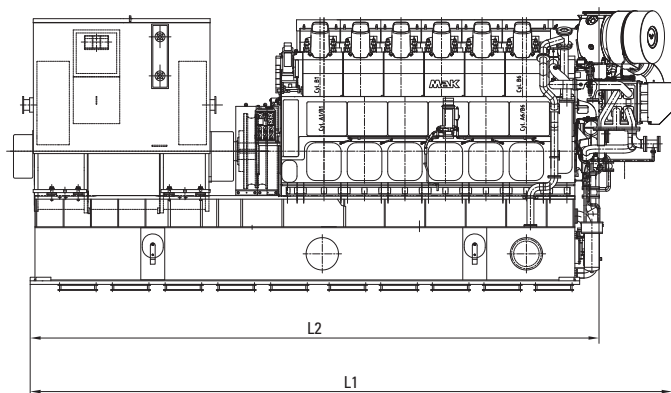
# VM 32 C

## Generator Set

### DIMENSIONS (mm) AND WEIGHTS (t)

Type	L1*	L2*	H1	H2	W1	W2	Weight*
<b>12 M 32 C</b>	10703	9484	2319	2320	3320	1133	120.0
<b>16 M 32 C</b>	12053	10835	2319	2320	3320	1133	145.0

\* Dependent on generator make/type

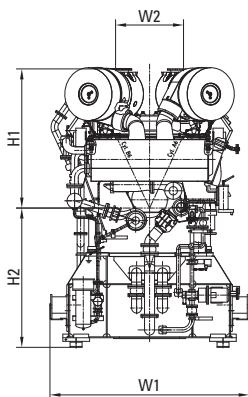


# TECHNICAL DATA

Type	Engine rating	Output range		Frequency	Speed	Mean eff. pressure	Mean piston speed	Spec. fuel consumption	
								100%	85%
	kW	kWe	kVA	Hz	rpm	bar	m/s	g/kWh	g/kWh
<b>12 M 32 C</b>	6000	5754	7200	60	720	22.5	11.0	178	177
	6000	5754	7200	50	750	21.6	11.5	179	179
<b>16 M 32 C</b>	8000	7672	9600	60	720	22.5	11.0	178	177
	8000	7672	9600	50	750	21.6	11.5	179	179

Stroke: 460 mm  
Bore: 320 mm

Specific lubricating oil consumption 0.6 g/kWh,  
Generator efficiency: 0.96,  $\cos \varphi$ : 0.8



Genset centre distance: min. 3500 mm

Removal of cylinder liner:  
in transverse direction: 2836 mm

Engine with turbocharger at driving  
end available, ask for dimensions.

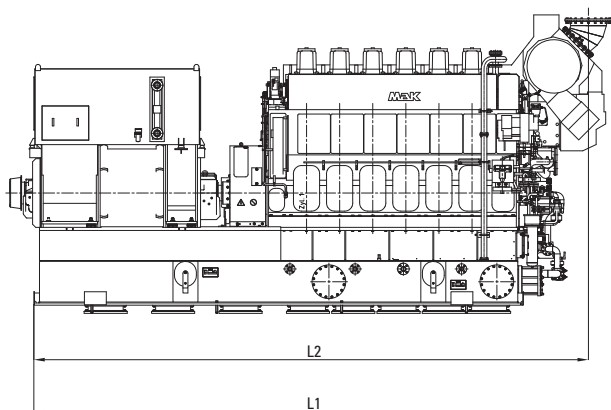
# M 32 E

## Generator Set

### DIMENSIONS (mm) AND WEIGHTS (t)

Type	L1*	L2*	H1	H2	W1	W2	Weight*
<b>6 M 32 E</b>	9150	8772	2767	1930	2752	126	72.0
<b>8 M 32 E</b>	10659	10232	2970	1930	2752	190	84.0
<b>9 M 32 E</b>	11189	10762	2970	1930	2752	190	90.0

\* Dependent on generator make/type



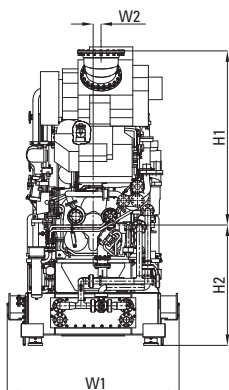
# TECHNICAL DATA

Type	Engine rating	Output range		Frequency	Speed	Mean eff. pressure	Mean piston speed	Spec. fuel consumption	
								100%	85%
	kW	kWe	kVA	Hz	rpm	bar	m/s	g/kWh	g/kWh
<b>6 M 32 E</b>	3300	3165	3960	60	720	23.7	11.0	179	178
	3300	3165	3960	50	750	22.7	11.5	179	178
<b>8 M 32 E</b>	4400	4220	5280	60	720	23.7	11.0	179	178
	4400	4220	5280	50	750	22.7	11.5	179	178
<b>9 M 32 E</b>	4950	4747	5940	60	720	23.7	11.0	179	178
	4950	4747	5940	50	750	22.7	11.5	179	178

Stroke: 460 mm  
Bore: 320 mm

Specific lubricating oil consumption 0.6 g/kWh,  
Generator efficiency: 0.96,  $\cos \varphi$ : 0.8

Reduced part load fuel consumption available for constant and variable speed



Genset centre distance: min. 3000 mm

Removal of cylinder liner:  
in transverse direction: 3040 mm  
in longitudinal direction: 3400 mm

Engine with turbocharger at driving end available, ask for dimensions.

Please contact us for lead times.

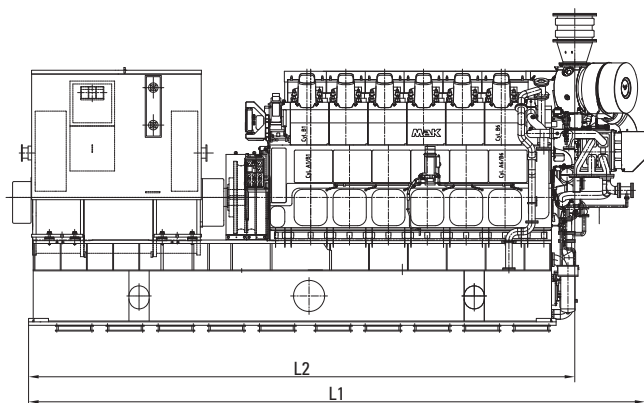
# VM 32 E

## Generator Set

### DIMENSIONS (mm) AND WEIGHTS (t)

Type	L1*	L2*	H1	H2	W1	W2	Weight*
<b>12 M 32 E</b>	10703	9484	2319	2320	3320	1133	120.0
<b>16 M 32 E</b>	12053	10835	2319	2320	3320	1133	145.0

\* Dependent on generator make/type



# TECHNICAL DATA

Type	Engine rating	Output range		Frequency	Speed	Mean eff. pressure	Mean piston speed	Spec. fuel consumption	
								100%	85%
	kW	kWe	kVA	Hz	rpm	bar	m/s	g/kWh	g/kWh
<b>12 M 32 E</b>	6360	6099	7632	60	720	23.8	11.0	178	177
	6360	6099	7632	50	750	22.9	11.5	179	179
	6720*	6444	8064	60	720	25.2	11.0	178	177
	6720*	6444	8064	50	750	24.2	11.5	179	179
<b>16 M 32 E</b>	8480	8132	10176	60	720	23.8	11.0	178	177
	8480	8132	10176	50	750	22.9	11.5	179	179
	8960*	8593	10752	60	720	25.2	11.0	181	177
	8960*	8593	10752	50	750	24.2	11.5	182	179

\* MDO only

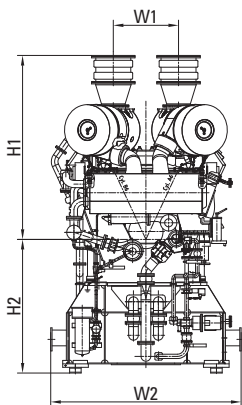
Stroke: 460 mm

Bore: 320 mm

Specific lubricating oil consumption 0.6 g/kWh,

Generator efficiency: 0.96,  $\cos \varphi$ : 0.8

Reduced part load fuel consumption available for constant and variable speed



Genset centre distance: min. 3500 mm

Removal of cylinder liner:  
in transverse direction: 2836 mm

Engine with turbocharger at driving  
end available, ask for dimensions.

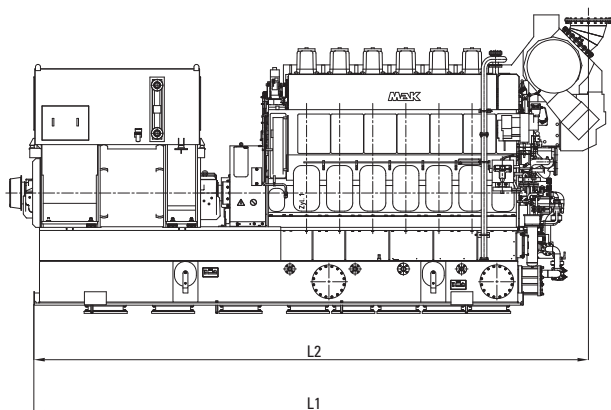
# M 34 DF

## Generator Set

### DIMENSIONS (mm) AND WEIGHTS (t)

Type	L1*	L2*	H1	H2	W1	W2	Weight*
<b>6 M 34 DF</b>	9150	8772	2767	1930	2752	126	72.0
<b>8 M 34 DF</b>	10659	10232	2970	1930	2752	190	84.0
<b>9 M 34 DF</b>	11189	10762	2970	1930	2752	190	90.0

\* Dependent on generator make/type



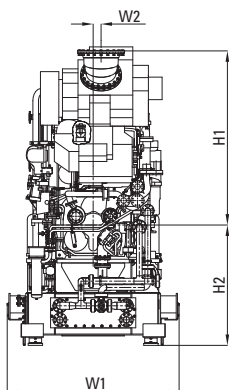


# TECHNICAL DATA

Type	Engine rating		Output range		Frequency	Speed	Mean eff. pressure	Mean piston speed	Spec. fuel consumption (Diesel mode)		Total spec. energy consumption (Gas mode)	
	kW	kWe	kVA	Hz					rpm	bar	m/s	g/kWh
									100%	85%	100%	85%
<b>6 M 34 DF</b>	3060	2934	3672	60	720	20.3	11.0	188/187	7520/7680			
	3180	3050	3816	50	750	20.2	11.5	188/187	7520/7680			
<b>8 M 34 DF</b>	4080	3913	4896	60	720	20.3	11.0	188/187	7520/7680			
	4240	4066	5088	50	750	20.2	11.5	188/187	7520/7680			
<b>9 M 34 DF</b>	4590	4401	5508	60	720	20.3	11.0	188/187	7520/7680			
	4770	4574	5724	50	750	20.2	11.5	188/187	7520/7680			

Stroke: 460 mm  
Bore: 340 mm

Specific lubricating oil consumption 0.6 g/kWh,  
Generator efficiency: 0.96,  $\cos \varphi$ : 0.8



Genset centre distance: min. 3000 mm

Removal of cylinder liner:  
in transverse direction: 3040 mm  
in longitudinal direction: 3400 mm

Engine with turbocharger at driving end available, ask for dimensions.

Please contact us for lead times.

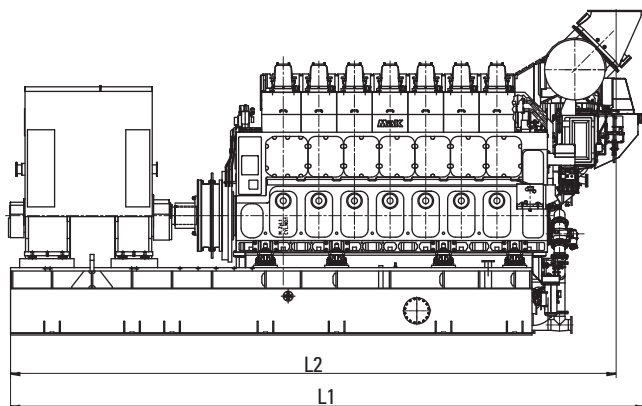
# M 43 C

## Generator Set

### DIMENSIONS (mm) AND WEIGHTS (t)

Type	L1*	L2*	H1	H2	W1	W2	Weight*
<b>6 M 43 C</b>	12202	11651	3834	2444	3400	215	178.0
<b>7 M 43 C</b>	12999	12414	4205	2444	3400	232	195.0
<b>8 M 43 C</b>	13729	13144	4205	2444	3400	232	210.0
<b>9 M 43 C</b>	14459	13874	4205	2444	3400	232	240.0

\* Dependent on generator make/type

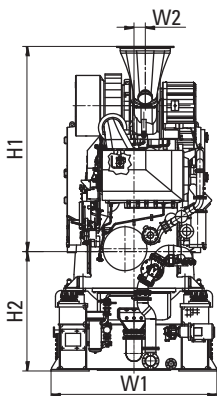


# TECHNICAL DATA

Type	Engine rating	Output range		Frequency	Speed	Mean eff. pressure	Mean piston speed	Spec. fuel consumption	
								100%	85%
	kW	kWe	kVA	Hz	rpm	bar	m/s	g/kWh	g/kWh
<b>6 M 43 C</b>	6000	5754	7200	50/60	500/514	27.1/26.4	10.2/10.5	177	175
	6300	6042	7560	50/60	500/514	28.4/27.7	10.2/10.5	178	176
<b>7 M 43 C</b>	7000	6713	8400	50/60	500/514	27.1/26.4	10.2/10.5	177	175
	7350	7049	8820	50/60	500/514	28.4/27.7	10.2/10.5	178	176
<b>8 M 43 C</b>	8000	7672	9600	50/60	500/514	27.1/26.4	10.2/10.5	177	175
	8400	8056	10080	50/60	500/514	28.4/27.7	10.2/10.5	178	176
<b>9 M 43 C</b>	9000	8631	10800	50/60	500/514	27.1/26.4	10.2/10.5	177	175
	9450	9063	11340	50/60	500/514	28.4/27.7	10.2/10.5	178	176

Stroke: 610 mm  
Bore: 430 mm

Specific lubricating oil consumption 0.6 g/kWh,  
Generator efficiency: 0.96,  $\cos \varphi$ : 0.8



Genset centre distance: min. 3700 mm

Removal of cylinder liner:  
in transverse direction: 4165 mm  
in longitudinal direction: 4610 mm

# VM 43 C

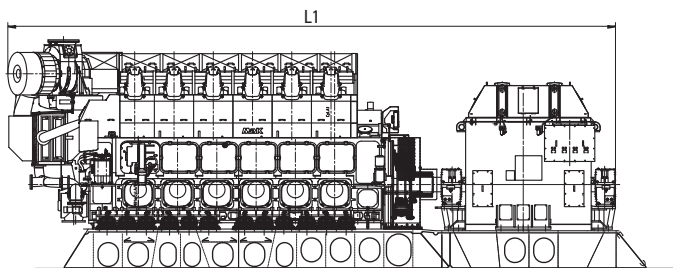
## Generator Set

### DIMENSIONS (mm) AND WEIGHTS (t)

Type	L1*	H1	H2	W1	W2	Weight**
<b>12 M 43 C</b>	14855	3497	1088	3890	1684	160.0
<b>16 M 43 C</b>	16940	3473	1088	4027	1670	220.0

\* Dependent on generator make/type

\*\* Engine weight only



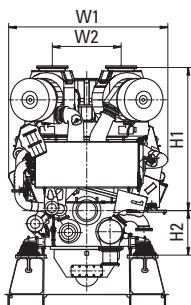
Foundation Shipyard (example)

# TECHNICAL DATA

Type	Engine rating	Output range		Frequency	Speed	Mean eff. pressure	Mean piston speed	Spec. fuel consumption	
								100%	85%
	kW	kWe	kVA	Hz	rpm	bar	m/s	g/kWh	g/kWh
<b>12 M 43 C</b>	12000	11508	14400	50/60	500/514	27.1/26.4	10.2/10.5	177	175
	12600	12083	15120	50/60	500/514	28.4/27.7	10.2/10.5	178	176
<b>16 M 43 C</b>	16000	15344	19200	50/60	500/514	27.1/26.4	10.2/10.5	177	175
	16800	16111	20160	50/60	500/514	28.4/27.7	10.2/10.5	178	176

Stroke: 610 mm  
Bore: 430 mm

Specific lubricating oil consumption 0.6 g/kWh,  
Generator efficiency: 0.96,  $\cos \varphi$ : 0.8



Foundation Shipyard (example)

Genset centre distance: min. 4500 mm

Removal of cylinder liner:  
in transverse direction: 3700 mm

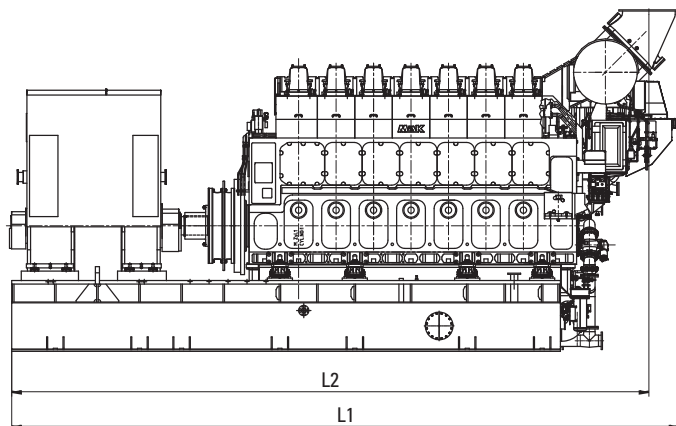
# M 46 DF

## Generator Set

### DIMENSIONS (mm) AND WEIGHTS (t)

Type	L1*	L2*	H1	H2	W1	W2	Weight*
<b>6 M 46 DF</b>	12202	11651	3834	2444	3400	215	178.0
<b>7 M 46 DF</b>	12999	12414	4205	2444	3400	232	195.0
<b>8 M 46 DF</b>	13729	13144	4205	2444	3400	232	210.0
<b>9 M 46 DF</b>	14459	13874	4205	2444	3400	232	240.0

\* Dependent on generator make/type

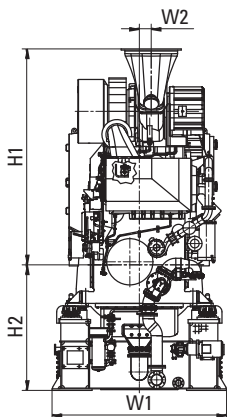


# TECHNICAL DATA

Type	Engine rating		Output range		Frequency	Speed	Mean eff. pressure	Mean piston speed	Spec. fuel consumption (Diesel mode)	Total spec. energy consumption (Gas mode)
	kW	kWe	kVA	Hz					rpm	bar
					g/kWh	kJ/kWh				
<b>6 M 46 DF</b>	5400	5179	6480	50/60	500/514	21.3/20.7	10.2/10.5	186/185	7441/7524	
	5790	5553	6948	50	500	22.8	10.2	185/183	7350/7460	
	5790	5553	6948	60	514	22.2	10.5	186/184	7350/7460	
<b>7 M 46 DF</b>	6300	6042	7560	50/60	500/514	21.3/20.7	10.2/10.5	186/185	7441/7524	
	6755	6478	8106	50	500	22.8	10.2	185/183	7350/7460	
	6755	6478	8106	60	514	22.2	10.5	186/184	7350/7460	
<b>8 M 46 DF</b>	7200	6905	8640	50/60	500/514	21.3/20.7	10.2/10.5	186/185	7441/7524	
	7720	7403	9264	50	500	22.8	10.2	185/183	7350/7460	
	7720	7403	9264	60	514	22.2	10.5	186/184	7350/7460	
<b>9 M 46 DF</b>	8100	7768	9720	50/60	500/514	21.3/20.7	10.2/10.5	186/185	7441/7524	
	8685	8329	10422	50	500	22.8	10.2	186/185	7350/7460	
	8685	8329	10422	60	514	22.2	10.5	186/185	7350/7460	

Stroke: 610 mm  
Bore: 460 mm

Specific lubricating oil consumption 0.6 g/kWh,  
Generator efficiency: 0.96, cos φ: 0.8



Genset centre distance: min. 3700 mm

Removal of cylinder liner:  
in transverse direction: 4165 mm  
in longitudinal direction: 4610 mm

Nozzle position: ask for availability.

# VM 46 DF

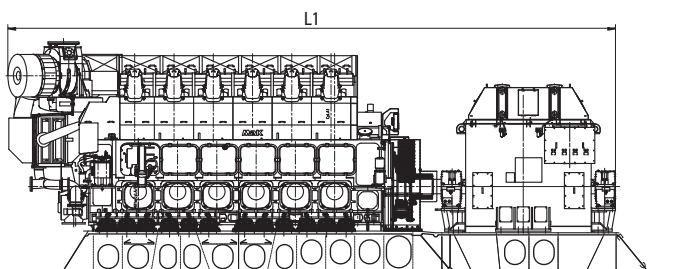
## Generator Set

### DIMENSIONS (mm) AND WEIGHTS (t)

Type	L1*	H1	H2	W1	W2	Weight**
12 M 46 DF	14855	3497	1088	3890	1684	160.0
16 M 46 DF	16940	3473	1088	4027	1670	220.0

\* Dependent on generator make/type

\*\* Engine weight only



Foundation Shipyard (example)

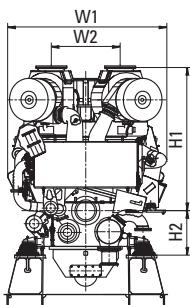


# TECHNICAL DATA

Type	Engine rating		Output range		Frequency	Speed	Mean eff. pressure	Mean piston speed	Spec. fuel consumption (Diesel mode)	Total spec. energy consumption (Gas mode)
									100%/85%	100%/85%
	kW	kWe	kVA	Hz	rpm	bar	m/s	g/kWh	kJ/kWh	
<b>12 M 46 DF</b>	10880	10357	12960	50/60	500/514	21.3/20.7	10.2/10.5	184/184	7272/7417	
	11580	11105	13896	50	500	22.8	10.2	184/182	7350/7370	
	11580	11105	13896	60	514	22.2	10.5	185/183	7350/7370	
<b>16 M 46 DF</b>	14400	13810	17280	50/60	500/514	21.3/20.7	10.2/10.5	184/184	7272/7417	
	15440	14807	18528	50	500	22.8	10.2	184/182	7350/7370	
	15440	14807	18528	60	514	22.2	10.5	185/183	7350/7370	

Stroke: 610 mm  
Bore: 460 mm

Specific lubricating oil consumption 0.6 g/kWh,  
Generator efficiency: 0.96,  $\cos \varphi$ : 0.8



Foundation Shipyard (example)

Genset centre distance: min. 4500 mm

Removal of cylinder liner:  
in transverse direction: 3700 mm

Please contact us for lead times.

## General definition of reference conditions

The maximum continuous rating (locked output) stated by Caterpillar Motoren refers to the following reference conditions according to "IACS" (International Association of Classification Societies) for main and auxiliary engines (tropical conditions):

Air pressure:	100 kPa (1 bar)
Air temperature:	318 K (45 °C)
Relative humidity:	60 %
Seawater temperature:	305 K (32 °C)

## Reference conditions regarding fuel consumption

Fuel consumption data is based on the following reference conditions:

Intake temperature	298 K (25 °C)
Charge air coolant inlet temperature:	298 K (25 °C)
Net heating value of the diesel oil:	42,700 kJ/kg

## Brake specific fuel consumption/heat rate

Brake specific fuel consumption SFOC (g/kWh) and heat rate (kJ/kWh), tolerance 5 %, without engine driven pumps.

### For M 20 C and M 25 C engines only:

For each engine driven pump an additional brake specific fuel consumption/heat rate of 1 % has to be calculated.

### For all E, DF, M 43 C, VM 43 C and VM 32 C engines:

Additional SFOC/heat rate per engine driven lube oil pump:

Power	100 %	85 %	75 %	50 %	25 %
Constant speed	1.0 %	1.2 %	1.3 %	2.0 %	4.0 %
Prop. curve	1.0 %	1.1 %	1.2 %	1.4 %	2.0 %

Additional SFOC/heat rate per engine driven cooling water pump:

Power	100 %	85 %	75 %	50 %	25 %
Constant speed	0.47 %	0.47 %	0.53 %	0.8 %	1.6 %
Prop. curve	0.4 %	0.4 %	0.4 %	0.4 %	0.4 %

# MaK Controls and Displays

---

MaK brand medium-speed diesel and dual fuel engines will be provided with a well proven Modular Alarm and Control System. All of the marine alarm and control systems are fully marine classification society (MCS) type approved for manned and unmanned engine rooms.

Caterpillar is currently offering three systems for diesel and dual fuel engines. For diesel engines there are still the LESS or MACS systems which will be gradually replaced for these engines. In the future, all diesel engines will be equipped with the Caterpillar's new and uniform advanced Monitoring, Alarm and Control System (aMACS). The M 20 is already available with aMACS only. Dual fuel engines will be equipped with the Modular Alarm and Control System (MACS) which, compared to aMACS, is offering an extended scope of functions for the gas part.

Both aMACS and MACS are offering the customer the same basic functions. The MACS and aMACS consist of several base functions that are required for each engine type, such as start-stop control or protection system. In addition, modular-built function blocks are added as optional scope of supply or for the dual fuel engine, such as FCT, slow turn, GVU control and leakage monitoring.

The system design of MACS or aMACS remains nearly identical, regardless of the engine type equipped with MACS or aMACS.

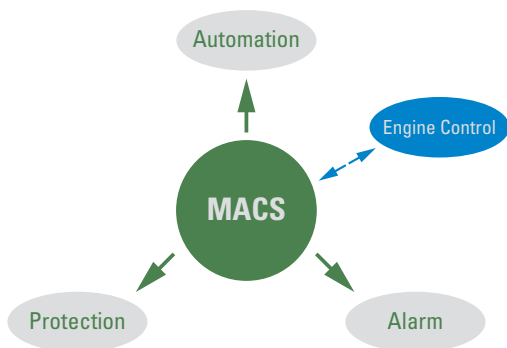
Both systems are making use of the same system components. Particularly, both systems are using the same alarm system (DCU) and providing the customer with a uniform interface for both operation and alarm transmission to a higher-level system such as the ship's alarm system or MAI via Modbus TCP. Furthermore, the Caterpillar SCR system can be used in combination with both systems. Alarms and measuring values of the SCR system are displayed at the engine alarm system and provided via Modbus.

As an option, Caterpillar is offering a remote panel with 8.4" touch display (RP410E). The display is capable of showing up to eight engines displaying current operating data and alarms. In addition, several remote panels can be installed on board. These can be connected to engines equipped with aMACS or MACS. If Cat branded engines are equipped with MECP/MGCP II or III, these engines can also be displayed on a joint RP410E.

## Modular Alarm and Control System - MACS

**MACS** is marine classification society (MCS) approved and available for all dual fuel engines such as MaK M 34 DF, M 46 DF and VM 46 DF.

The MACS consists of several base functions that are required for each engine type, such as start-stop control or protection system. In addition, modular-built function blocks are added as optional scope of supply or for the dual fuel engine, such as FCT, slow turn, GVU control, and leakage monitoring.



### MACS Functions

MACS consists of the following software functions:

- Automation
  - Start/stop function
  - Diesel/gas mode control
  - Engine diesel and gas automation
- Monitoring and alarm system
- Diesel and gas protection system

Besides MACS, the engine is also equipped with an Engine Control System (ECM) that comprises the speed governor and a load sharing system.

## MACS Components

### Engine Alarm System (DCU)

The engine's alarm system and the local display are consolidated in the DCU located in the local control panel. The 5.7" display can display multiple instrument views as well as an alarm and event list.



Various modules communicate directly with the DCU. By this, it receives status and measurement values from all I/O modules, the engine control system (ECM) and the engine protection system (PLC Safety). Furthermore, the

DCU provides all measurement values, status values and alarms on Modbus TCP (Modus RTU optional) for the vessel's system and for the Cat remote monitoring system MAI.

The alarm system determines critical engine conditions, activates alarms and, if necessary, shuts down the engine. The DCU also has the ability to shut off the fuel gas supply to the engine. All alarms are stored in an alarm history using the ship's timestamp and are shown in a manner requested by the marine classification societies (MCS). The complete alarm management is handled by the DCU. All information is visualized via the screen in the DCU and additional remote panels (RP410E).

### Engine Protection System (PLC Safety)

The PLC Safety covers the engine's diesel and gas safety system required by the classification societies and IGF code. The PLC Safety shuts down the engine in case of a major fault that may damage the engine. A dedicated safety stop valve is provided. The PLC Safety also comprises the engine's gas safety system and is therefore able to shut off the gas supply to the engine if the system detects a critical condition.

The PLC Safety has its own sensors for all implemented shutdown and gas shutoff functions and is completely independent off the alarm and monitoring system as well as the engine control system. The system provides remote emergency stops, shutdown overrides and a delayed shutdown function where allowed by the MCS.

Each event is displayed on the DCU display in the local control panel or at the remote panel (RP) and can be read via DCU Modbus interface.

## **Engine Automation System (PLC System)**

The PLC system comprises the monitoring and automation system. It involves the start and stop functionality, the diesel gas mode control as well as the engine diesel and engine gas automation. The PLC system will handle the complete changeover process from diesel to gaseous fuel and vice versa. It performs several system checks before admitting gaseous fuel to the engine, monitors the engine for fuel gas leakages and shuts off the fuel gas supply to the engine after leaving the gas mode. This may include a fast flushing process during an emergency changeover from gas to diesel to completely remove gaseous fuel from the engine pipes.

Besides the on-engine devices it is capable of controlling and monitoring the following Cat modules:

- ignition fuel module
- gas value unit (GVU)
- exhaust ventilation module
- ventilation module
- slow turn module

Internally generated alarm signals are displayed on the DCU display in the local control panel or at the remote panel and can be read via DCU Modbus interface.

## **Engine Control System (ECM)**

The engine control system consists of two or three ECMs mounted on the engine. This system is controlling the fuel systems, air/fuel ratio, engine speed and FCT. For load sharing, droop mode and isochronous load sharing are offered. The ECM has its own set of sensors for all control-relevant functions and can operate independently of other sub-systems.

## Further monitoring functions

### **Fuel Gas Leakage Monitoring**

MACS provides a full fuel gas leakage monitoring for the on-engine fuel pipes. It monitors the double-walled gas pipe on the engine and between the engine and the gas valve unit. Therefore a ventilation module is provided as standard. The monitoring also covers the crankcase. Pressure sensors as well as gas detectors are provided and are processed by MACS. Cat delivers a complete engine gas monitoring and automation system.

### **In-Cylinder Pressure**

On dual fuel engines each cylinder is equipped with a cylinder pressure sensor. The system is thus able to compute combustion characteristics for each cylinder including knock intensity per cylinder. The results are transmitted once per combustion cycle to the engine alarm system for monitoring of misfire, overpressure and knocking. Alarms are displayed on the DCU display or at the remote panel and can be read via DCU Modbus interface.

### **Oil Mist Concentration**

The oil mist Detector (OMD) monitors the oil mist concentration in the crankcase. It provides a pre-alarm and alarm both processed by MACS. A remote indication is possible via a separate serial interface or the engine alarm system (dependent on OMD type). The oil mist monitoring is obligatory for all engine types, except for M 20 and 6 M 25 engine series.



## **Main Bearing and Big End Bearing Temperature**

Optional temperature monitoring for each main and big end bearing is available. Alarms for high temperature of each bearing as well as for deviation from average temperature are provided. Alarms, deviation values and current bearing temperatures are displayed on the DCU display in the local control panel or at the remote panel and can be read via DCU Modbus interface.

## **Exhaust Gas Temperature**

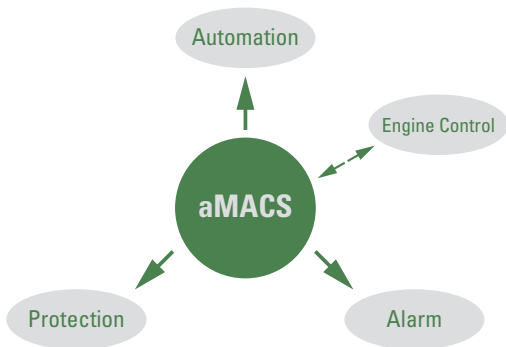
Mandatory and optional exhaust gas temperature monitoring for each cylinder is available. Load dependent alarms for high and low temperature of each cylinder as well as for deviation from average temperature are provided. Alarms, deviation values and current exhaust gas temperatures are displayed on the DCU display in the local control panel or at the remote panel and can be read via DCU Modbus interface.

## **advanced Modular Alarm and Control System - aMACS**

The **advanced Modular Alarm and Control System** is fully marine classification society (MCS) type approved for manned and unmanned engine rooms. **aMACS** is available for all MaK branded Diesel engines.

aMACS was developed as successor for MACS and LESS, especially for diesel engines to meet customer demands. It is based on MACS and the marine alarm and control system MECP/ MGCP III offered for Cat branded engines. By this, it allows a perfect integration of MaK and Cat branded engines on one vessel as both systems, aMACS and MECP/MGCP III, use the same user and systems interface. One or several RP410E remote panels can be used to display the data from MaK and Cat branded engines on one remote panel. This includes status and sensor values, the complete alarm management as well as the start and stop functionality. No further dedicated panels are necessary but are, of course, still supported.

For a faster on board installation, improved robustness and better serviceability the engine control and monitoring system is separated into on- and off-engine components. The on-engine component contains all engine mounted sensors, actuators and control units. The second component is the off-engine control panel with the customer interface. Caterpillar Marine offers two control panel options to meet the requirements of your diesel engine application. For each panel options are designed to provide the appropriate level of monitoring and protection and to fit the constraints of your installation project.



### Benefits:

- Common control and monitoring system for all Cat® and MaK brand marine engines
- Complete engine control system
- Fully configured and tested engine alarm system
- Control panel with flexible mounting position
- Exhaust gas after treatment (IMO III /Selective Catalytic Reduction [SCR] capability)
- Integrated isochronous load sharing function
- Configurable input and outputs
- Standard customer interface
- Interconnection harness between engine and control panel for simple on board installation
- Full text alarm and diagnostic indication
- Common spare parts

## aMACS Sub-Systems

### **Engine Alarm and Start/ Stop System (DCU)**

The engine's alarm system, the start/ stop system and the local display are consolidated in the DCU, located in the control panel. The 5.7" display can display multiple instrument views as well as an alarm and event list.

Various modules communicate directly with the DCU so that so that it receives status and measurement values from all I/O modules, the engine control system (ECM), the optional PLC system and the protection system (SDU). Furthermore, the DCU provides all measurement values, status values and alarms on Modbus TCP (Modus RTU optional) for the vessel's system and for the Cat remote monitoring system MAI.

The alarm system determines critical engine conditions, activates alarms and, if necessary, shuts down the engine. All alarms are stored in an alarm history using the ships timestamp and are shown in a manner requested by the marine classification societies (MCS). The complete alarm management is handled by the DCU. All information is visualized via the screen in the LCP and additional remote panels (RP410E).

### **Engine Protection System (SDU)**

The SDU covers the engine safety system required by the classification societies. The SDU shuts down the engine in case of a major fault that may damage the engine. A dedicated safety stop valve is provided.

The SDU has its own sensors for all implemented shutdown functions and is completely independent of the alarm and monitoring system as well as the engine control system. The system provides remote emergency stops, shutdown overrides and a delayed shutdown function where allowed by the MCS.

Each event is displayed on the DCU display in the local control panel or at the remote panel and can be read via DCU Modbus interface.

## **Extended engine Automation and Monitoring System (PLC)**

Additional automation functions are processed by the PLC. This involves the FCT monitoring and slow turn. It also provides additional I/Os for external systems.

It provides I/O modules for all signal types except for temperature sensors. A bus interface is used for communication with the engine control system and engine alarm system.

Alarms are displayed on the DCU display in the control panel or at the remote panel and can be read via DCU Modbus interface.

## **Engine Control System (ECM)**

The engine control system consists of one ECMs mounted on the engine. This system is controlling the fuel system, air/fuel ratio, engine speed and FCT. For load sharing, droop mode and isochronous load sharing are offered. The ECM has its own set of sensors for all control-relevant functions and can operate independently of other sub-systems.

## **Further monitoring functions**

### **Main Bearing and Big End Bearing Temperature**

See MACS

### **Exhaust Gas Temperature**

See MACS

### **Oil Mist Concentration**

See MACS

## Basic Panel

The **Basic Panel** is the first panel option, currently available for M 20 C to VM 43 C propulsion engines and generator sets.

### Features:

- Remote and emergency start and stop
- Engine control switch local/remote mode
- Local speed control
- Crank inhibit (repair mode)
- Modbus TCP and RTU datalink (optional)
- Color display
- Ethernet switch (standard)/NAT router (optional)
- Alarm system with alarm log and vessel time stamp (optional)
- Exhaust gas temperature monitoring (optional)
- Main and connecting rod bearings (crank end) temperature monitoring (optional)
- Standard Cat SCR (Selective Catalytic Reduction) interface (optional)
- Marine Asset Intelligence (MAI) interface (optional)
- Galvanic isolation for analogue input and output signals (optional)

## Advanced Panel

The **Advanced Panel** is the top-of-the-line panel option and offers additional features.

### Additional Features:

- PLC with configurable inputs and outputs with pre-defined functions
- DC/DC converter and Isolation monitoring (optional)
- Additional shutdown inputs (optional)
- Slow turn (optional)
- Additional sensors (optional)

Dimensions (in mm)				
	Height	Width	Depth	Weight (approx. in kg)
<b>Basic Panel</b>	800	600	210	34
<b>Advanced Panel</b>	1200	600	300	80



## **Caterpillar Technology for Emissions Reduction in Medium-Speed Marine Engines**

In addition to the right technology to meet emissions standards for IMO Tier II/Tier III and U.S. EPA Tier 3 for category 3 engines, Caterpillar offers options for further performance improvement of medium-speed marine engines:

Flexible Camshaft Technology (FCT) achieves synergy between flexible fuel systems and advanced air systems while exploiting current MaK engine design to the fullest. At part load, visible smoke is eliminated and performance and load pick-up are improved. Invisible smoke is a clear advantage for all applications. FCT supports reduced part load fuel consumption and dual fuel engine technology when switching between gas mode and diesel mode. With the exception of the M 20 models, Flexible Camshaft Technology can be retrofitted to any MaK C-engine and E-engine series.



# EMD Medium-Speed and Dual Fuel Solutions



# EMD Propulsion and Dual Fuel Engines

## EMD E 23 (710 Series) Marine Propulsion and Generator Set Engines

**Electro-Motive Diesel (EMD)** has been in the marine propulsion business since 1935. EMD brings two-cycle medium-speed engines to the Caterpillar Marine family, with over 78,000 engines in operation around the world.

Built on the successful 710 Series, the current EMD product line consists of medium-speed two-cycle diesel and dual fuel engines models ranging in power from 1,490 to 4,100 kW. The EMD E 23 offers the following features:

- Predictive maintenance – easy visual inspection of power assemblies
- Simplicity by design – no special tooling required to maintain
- Industry best transient response – idle to full rated power in approximately 10 seconds in fixed pitch propeller applications
- Low life cycle cost



## **EMD Technology**

Electronic Unit injection (EUI) is a simple, cost-effective fuel management system. Metering and timing of the fuel are controlled by an Electronic Control Module (ECM) based on the inputs received from the engine control system. EUI is a proven technology that is simple to maintain and has been in service for over 25 years.

## **Charge Air System**

The E 23 turbocharger system is an industry-leading charge and scavenging air management system. Powered by a hybrid gear train/exhaust gas drive system, it provides high pressure charge air at all operating points, allowing for quick transient response.

## **Accessory Rack**

The E 23 has an optional integrated accessory rack that includes lube oil filtration, lube oil cooling, fuel filters, cooling system expansion tank, and a fuel priming pump.

For custom vessel installations these components are available as a ship loose option.

## Selective Catalytic Reduction (SCR) System

The EMD SCR system is co-designed by EMD and Caterpillar. The EMD SCR System has been developed especially for the EMD two-cycle medium-speed engines to meet EPA Tier 4 and IMO III emission requirements. Every component in the EMD SCR System is designed and manufactured to EMD product standards with highest quality and value.



## EMD Dual Fuel Options

### DGB - Dynamic Gas Blending®

DGB offers up to 80 % gas substitution with full power and torque that is identical to diesel ratings. The system maintains true fuel redundancy operating with a blend of natural gas and diesel or diesel only. The fueling system is seamless between diesel and the diesel gas blend, requiring no interaction from the operator. DGB meets IMO II emission regulations.

### DIG - Direct Injected Gas

DIG technology uses a single injector that injects high pressure diesel, followed by high pressure gas to provide a minimum of 95 % gas substitution. The engine operates on the diesel cycle, maintaining the same power and torque throughout the operating range. DIG meets IMO III emission regulations.

*Consult your dealer for more information regarding dual fuel products.*



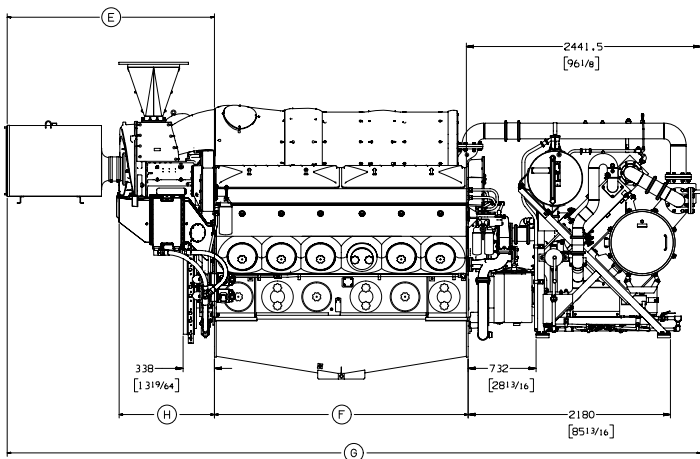
# E 23

## DIMENSIONS (mm) AND WEIGHTS (kg)

Type	A	B	C	D	E	F	G	H	Engine Weight	Acc. Rack Weights
<b>8 E 23</b>	3246	2573	479	2790	2134	1864	6202	929	13018	1723
<b>12 E 23</b>	3410	2764	632	2948	2240	2734	7178	1050	17690	1723
<b>16 E 23</b>	3410	2764	632	2948	2240	3715	8171	1050	20865	1723
<b>20 E 23</b>	3642	2966	835	3150	2240	4559	9015	1050	23949	1769

## DIMENSIONS (in) AND WEIGHTS (lb)

Type	A	B	C	D	E	F	G	H	Engine Weight	Acc. Rack Weights
<b>8 E 23</b>	127.8	101.3	18.9	109.9	84.0	73.4	244.2	36.66	28,700	3,799
<b>12 E 23</b>	134.3	108.8	24.9	116.1	88.2	107.6	282.6	41.3	39,000	3,799
<b>16 E 23</b>	134.3	108.8	24.9	116.1	88.2	146.3	321.7	41.3	45,999	3,799
<b>20 E 23</b>	143.4	116.8	32.9	124.0	88.2	179.5	354.9	41.3	52,799	3,900

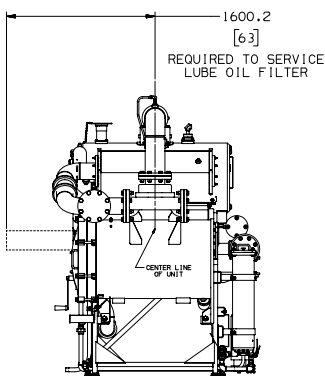
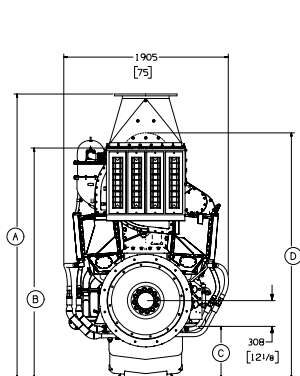


(shown with accessory rack, exhaust outlet adapter and EMD supplied air filter)

## TECHNICAL DATA

Model	Cylinders	Rating	bkW	bhp	rpm	g/bkW-hr	U.S. g/h	EPA	IMO
8 E 23	8	CS	1491	2000	900	201	93	T3	II
12 E 23	12	CS	2237	3000	900	198	138	T3	II
16 E 23	16	CS	2983	4000	900	196	182	T3	II
20 E 23	20	CS	3729	5000	900	209	236	T3	II
8 E 23	8	INT	1641	2200	900	200	103	T3	II
12 E 23	12	INT	2461	3300	900	197	152	T3	II
16 E 23	16	INT	3281	4400	900	195	201	T3	II
20 E 23	20	INT	4101	5500	900	210	261	T3	II

**Note:** EMD E 23 engines were formerly EMD 710 Series. INT equals Intermittent Service Rating. CS equals Continuous Service Rating. 750 rpm (50 Hz) and dual fuel options are available. Contact local dealer for detail.



(shown with accessory rack)

# E 23 B

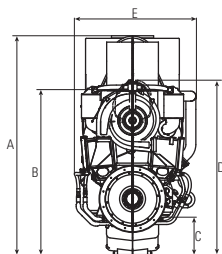
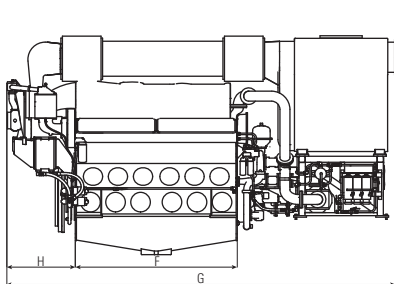
## DIMENSIONS (mm) AND WEIGHTS (kg)

Type	A	B	C	D	E	F	G	H	Engine Weight	Acc. Rack Weight w/ SCR
<b>12 E 23 B</b>	3685	2764	632	2948	1971	2734	6580	1050	16511	5715
<b>16 E 23 B</b>	3685	2764	632	2948	1971	3715	7657	1050	19686	5715

## DIMENSIONS (in) AND WEIGHTS (lb)

Type	A	B	C	D	E	F	G	H	Engine Weight	Acc. Rack Weight w/ SCR
<b>12 E 23 B</b>	145.1	108.8	24.88	116.1	77.6	107.6	259.1	41.3	36,401	12,599
<b>16 E 23 B</b>	145.1	108.8	24.88	116.1	77.6	146.3	301.5	41.3	43,400	12,599

**Note:** Completely Integrated System





## TECHNICAL DATA

Model	Cylinders	Rating	bkW	bhp	rpm	EPA	IMO	EU
<b>8 E 23 B*</b>	8	CS	1491	2000	900	T4F	III	NC
<b>12 E 23 B</b>	12	CS	2237	3000	900	T4F	III	NC
<b>16 E 23 B</b>	16	CS	2983	4000	900	T4F	III	NC
<b>20 E 23 B*</b>	20	CS	3729	5000	900	T4F	III	NC
<b>8 E 23 B*</b>	8	INT	1641	2200	900	T4F	III	NC
<b>12 E 23 B*</b>	12	INT	2461	3300	900	T4F	III	NC
<b>16 E 23 B</b>	16	INT	3281	4400	900	T4F	III	NC
<b>20 E 23 B*</b>	20	INT	4101	5500	900	T4F	III	NC

**Note:** INT equals Intermittent rating

\* Contact your local dealer for details

### E 23 B Enhancements:

- U.S. EPA Tier 4 Final / IMO III
- Completely integrated SCR System – no need to worry about mounting or where to place it in the engine room
- Closed Crankcase
- High pressure lube oil system
- Mechanical oil filtration with centrifuge
- Next generation Accessory Rack



# Propulsion Systems Commercial Applications



## Performance You Can Rely On

Caterpillar Propulsion supplies complete, world-leading propulsion systems. Custom-designed and optimized for uptime and cost effective operations, our top-of-the-line controllable pitch propellers, thrusters, gearboxes, control systems, and hubs are all manufactured at our state-of-the-art production facilities in Sweden and Singapore.

Our expertise in hydrodynamics give you the dependable, heavy-duty performance you expect.



# Propulsion Solutions – Offshore

## Key requirements for a platform supply vessel, PSV

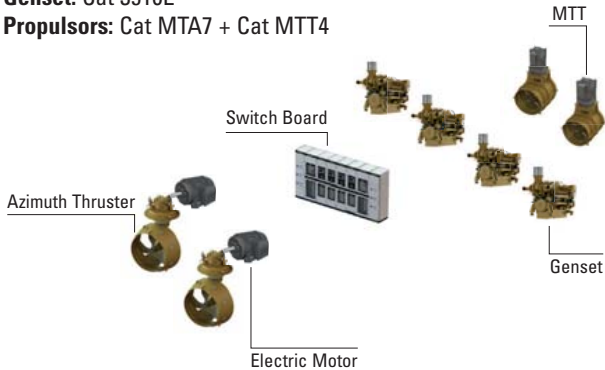
- High position keeping capability in DP and standby operations
- High redundancy and reliability
- Maximizing space for cargo



## Typical DP2 diesel electric solution

**Genset:** Cat 3516E

**Propulsors:** Cat MTA7 + Cat MTT4



## Key requirements for a anchor handler, AHTS with DP2 requirements

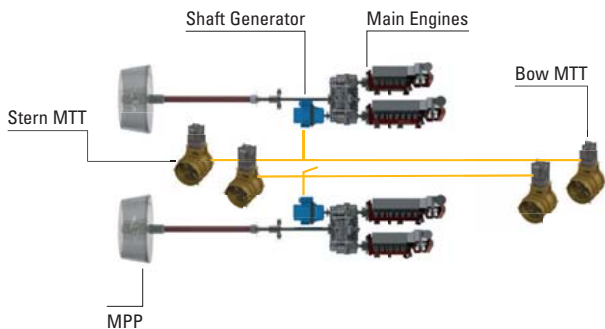
- High forward thrust
- Fuel efficiency
- High redundancy and reliability



### Typical DP2 diesel mechanic solution

**Propulsion engine:** MaK M 32 + MaK M 25

**Propulsors:** Cat MPP + Cat MTT4 + Cat MTT6



# Propulsion Solutions – Tug and Salvage

## Key requirements for a harbor tug

- Maneuverability
- Towing force/ Bollard pull
- Operation close to port with relatively low load factors and low annual hours

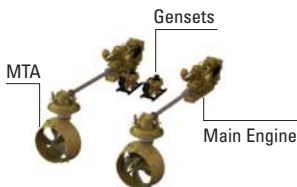


## Typical diesel mechanic solution

**Propulsion engine:** Cat 3516

**Propulsors:** Cat MTA6

**Genset:** Cat C4.4



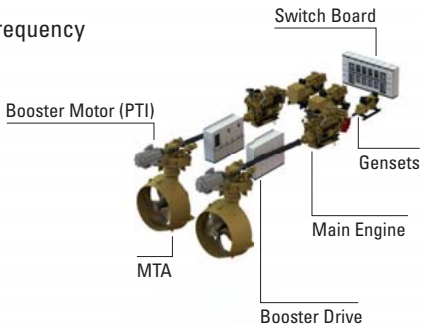
## Typical hybrid solution

**Propulsion engine:** Cat 3512

**Propulsors:** Cat MTA6 inc. PTI

**Genset:** Cat C7.1 + C18

**Other:** VFD (Variable Frequency Drive) and PTI motor



## Examples of tug configurations

Thruster	Engine	Power [kW]	Engine RPM	Thrust [metric ton]*
<b>MTA524</b>	3512	1500	1600	<b>52-54</b>
<b>MTA524</b>	3512	1765	1800	<b>58-60</b>
<b>MTA524</b>	3512	1902	1800	<b>60-62</b>
<b>MTA524</b>	3516	1920	1600	<b>61-63</b>
<b>MTA627</b>	3516	2000	1600	<b>69-72</b>
<b>MTA627</b>	3516	2240	1800	<b>74-77</b>
<b>MTA627</b>	3516	2350	1800	<b>76-79</b>
<b>MTA628</b>	3516	2240	1800	<b>75-78</b>
<b>MTA628</b>	3516	2525	1800	<b>80-83</b>

*Thrust refers to twin units and typical ASD tug boat design. Bollard pull figures are indicative and final thrust will depend on vessel design and bollard pull conditions.*



# Propulsion Solutions – Fishing

## Key requirements for a 60–90 m trawler

- High towing loads at low speeds when trawling
- Transportation speed at 15–17 knots
- Large PTO capacity for winches, freezers, hotel load, pumps etc.



## Typical propulsion solution for a trawler

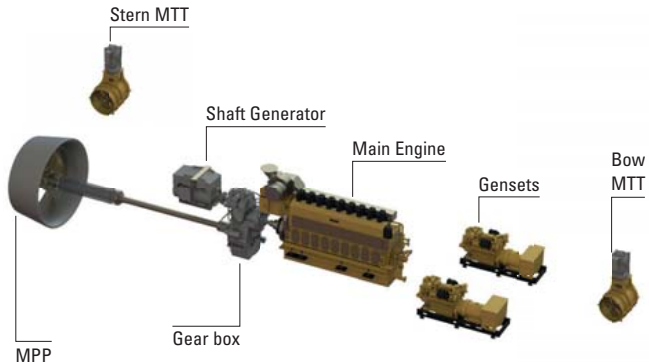
**Propulsion engine:** MaK M 32

**Genset:** C32

**Propulsors:** Cat MPP + Cat MTT

**Gearbox:** two speed type including clutches

**Other:** large shaft generator



# Propulsion Solutions – Cargo

## Key requirements for cargo vessels

- Good fuel efficiency
- High load factors and steady loads
- APS (Alternative Propulsion System) requirements on vessels carrying hazardous loads requiring PTH (Power Take Home) functionality
- Either fine maneuvering is handled by tugs or the vessel is equipped with thrusters to do fine maneuvering itself



## Typical propulsion solution for a LNG carrier with APS notation

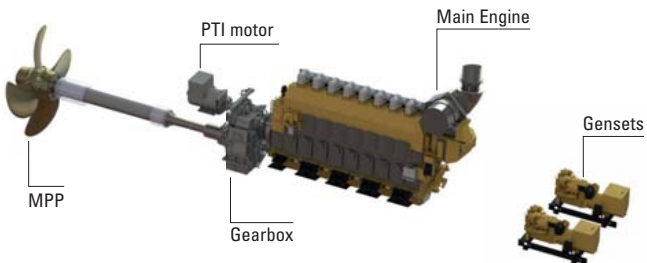
**Propulsion engine:** MaK M46

**Genset:** Cat C9.3

**Propulsor:** Cat MPP (+ Cat MTT)

**Gearbox:** simple with one input clutch

**Other:** VSD (Variable Speed Drive) and PTI motor



# Propulsion Solutions – Twin Fin

## Twin Fin installation

The Twin Fin concept combines the benefit of the azimuth thruster's compact installation with the conventional controllable pitch propeller's high efficiency. The Twin Fin concept works well for retrofits by minimizing downtime because the complete system can be preassembled prior to docking.

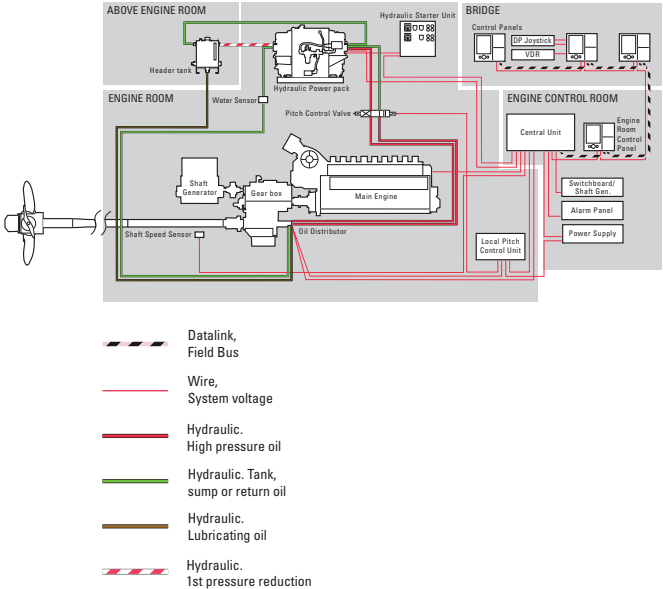


# MPP – Marine Propulsion Propeller



**Power range:** 500 kW – 30000 kW  
**Hub diameter:** 440 mm – 2200 mm  
**Propeller diameter:** 1250 mm – 8500 mm

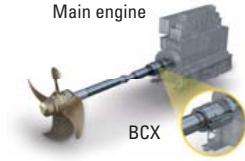
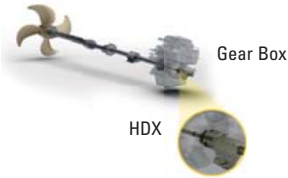
## Overview of a MPP system including integrated controls and monitoring



## MPP oil distribution box options

**HDX** is installed at forward side of reduction gearbox and provides an easy and simple installation and maintenance.

**BCX** is installed in line with propeller shafting and is applicable when prime mover is a 2 stroke/low speed engine and there is no gear box.



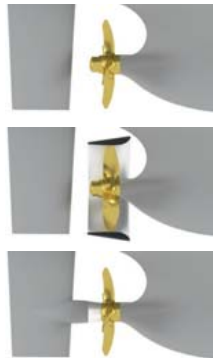
## MPP installation options

Complete shaft line installations including shafts, seals, stern tubes, couplings and bearings

**Open propeller** is typically used for vessels operating in free running conditions like ferries, cargo and patrol.

**Nozzle propeller** is suitable for vessels with high thrust requirement at zero or low speed. Tugs, AHTS, fishing vessels etc.

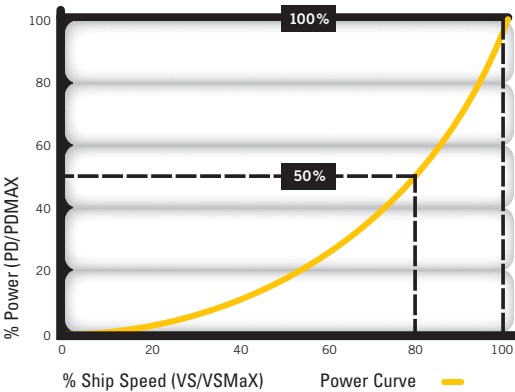
**Hub cap "fairing cone"** for interfacing with rudder system showing an integrated propeller and rudder solution.



## MPP feathering option

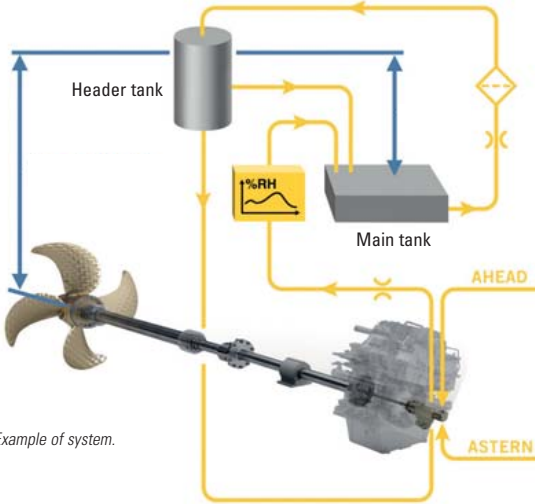
The feathering solution improves the efficiency of vessels with variation in it's operating profile.

With the propeller blades set in parallel with the water flow a twin screw vessel can be turned into a single screw when full power is not needed. This results in improved fuel efficiency and reduced maintenance costs by reducing number of main engine running hours.



## Lubrication system with continuous moisture monitoring

The propeller hub is lubricated by a unique oil circulating system with integrated moisture monitoring.



*Example of system.*

With a Cat controllable pitch propeller system, it's all about your uptime. Outstanding reliability and monitoring ensure your safe operation.

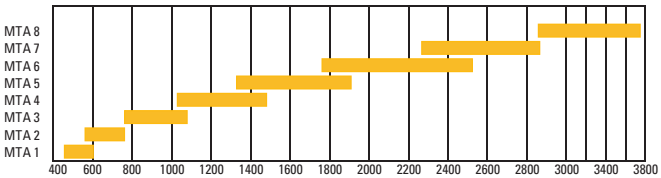
# MTA – Marine Thruster Azimuth

## CAT MTA

- Order unique propeller designs for optimal efficiency
- Complies with all major marine class societies
- Unparalleled maneuverability

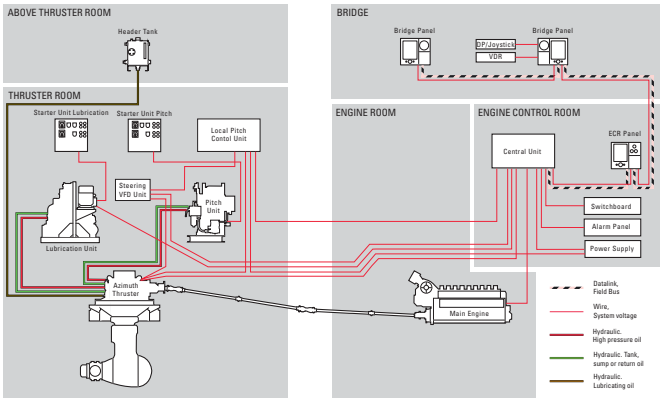


## MTA power range



MTA 1, 2, 3, 4 and 5 available in L-drive. MTA 3, 4, 5, 6, 7 and 8 available in Z-drive.

## Overview of a MTA system including integrated controls and monitoring



If space is insufficient, the header tank can be replaced with an air pressurized shaft seal tank. Option available with thruster integrated lubrication system.



## MTA installation options



Z-drive



L-drive

- Installation possible from above or from below as standard options
- Bolted or welded attachment
- Thruster mounted hydraulics allowing easy installation

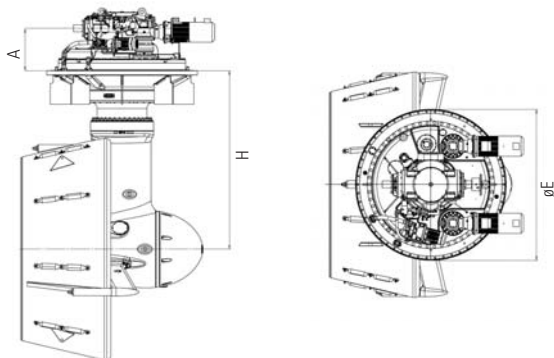
## MTA configuration options

- Hydraulic or electric steering
- CP or FP propeller
- Diesel or electric prime mover
- Slip to idle or on-off clutch
- VGP compliant solutions with both mineral oil and EAL oil
- PTI interface located on aft side of upper gear

# MTA – Marine Thruster Azimuth Z-drives

## Dimensions

See tables under each MTA Z-drive size



For reference only. The picture might differ from the reality.

## MTA3 – Marine Thruster Azimuth Z-Drive

MODEL	Rating	Max Input Power		Input speed [min-1]	Propeller $\phi$ [mm]	Max Bollard pull	
		[kW]	[hp]			[metric t]	[short t]
Available in FP and CP type							
<b>MTA316</b>	A/B	1000	1341	900-2000	1600	29-31	32-34
<b>MTA317</b>	A/B	1000	1341	900-2000	1700	30-32	33-35
<b>MTA318</b>	A/B	1000	1341	900-2000	1800	31-33	34-36
<b>MTA318</b>	C/D*	1081	1450	1600-2000	1850	33-35	37-39

Rating	Weight (min)	Dimensions		
	[metric t]	[mm]		
		A	$\phi E$	H
<b>A/B</b>	11 (H=1900)	500	1850	1900, 2200, 2500
<b>C/D</b>	11	500	1850	1900

Thrust refers to twin units and typical vessel design. Bollard pull figures are indicative and final thrust will depend on vessel design and bollard pull conditions.

\* C and D ratings not available in CP for this thruster size.

# MTA – Marine Thruster Azimuth Z-drives

## MTA4 – Marine Thruster Azimuth Z-Drive

MODEL	Rating	Max Input Power		Input speed [min-1]	Propeller $\sigma$ [mm]	Max Bollard pull	
		[kW]	[hp]			[metric t]	[short t]
Available in FP and CP type							
<b>MTA418</b>	A/B	1320	1770	900-2000	1800	37-40	41-44
<b>MTA419</b>	A/B	1320	1770	900-2000	1900	39-41	43-45
<b>MTA420</b>	A/B	1320	1770	900-2000	2000	40-42	44-47
<b>MTA420</b>	C/D*	1500	2012	1600-1800	2050	44-47	49-52

Rating	Weight (min)	Dimensions		
	[metric t]	[mm]		
		A	$\sigma E$	H
<b>A/B</b>	16 (H=2100)	550	2150	2100, 2450, 2800
<b>C/D</b>	16	550	2150	2100

## MTA5 – Marine Thruster Azimuth Z-Drive

MODEL	Rating	Max Input Power		Input speed [min-1]	Propeller $\sigma$ [mm]	Max Bollard pull	
		[kW]	[hp]			[metric t]	[short t]
Available in FP and CP type							
<b>MTA522</b>	A/B	1710	2293	700-2000	2200	51-54	57-60
<b>MTA523</b>	A/B	1710	2293	700-2000	2300	53-56	58-61
<b>MTA524</b>	A/B	1710	2293	700-2000	2400	53-57	59-62
<b>MTA524</b>	C/D*	1920	2575	1500-1800	2400	59-63	66-69

Rating	Weight (min)	Dimensions		
	[metric t]	[mm]		
		A	$\sigma E$	H
<b>A/B</b>	20 (H=2200)	600	2400	2200, 2600, 3000
<b>C/D</b>	16	660	2070	2500

Thrust refers to twin units and typical vessel design. Bollard pull figures are indicative and final thrust will depend on vessel design and bollard pull conditions.

\* C and D ratings not available in CP for this thruster size.

# MTA – Marine Thruster Azimuth Z-drives

## MTA6 – Marine Thruster Azimuth Z-Drive

MODEL	Rating	Max Input Power		Input speed [min-1]	Propeller $\sigma$ [mm]	Max Bollard pull	
		[kW]	[hp]			[metric t]	[short t]
Available in FP and CP type							
<b>MTA625</b>	A/B	2240	3004	700-1800	2500	67-71	74-78
<b>MTA626</b>	A/B	2240	3004	700-1800	2600	69-73	76-80
<b>MTA627</b>	A/B	2240	3004	700-1800	2700	70-74	77-81
<b>MTA627</b>	C/D	2525	3386	1500-1800	2700	78-82	86-91
<b>MTA628</b>	C/D	2525	3386	1500-1800	2800	79-84	87-92

Rating	Weight (min)	Dimensions		
	[metric t]	[mm]		
		A	$\sigma E$	H
<b>A/B</b>	28 (H=2500)	680	2700	2500, 2850, 3200
<b>C/D</b>	22	665	2340	2800

## MTA7 – Marine Thruster Azimuth Z-Drive

MODEL	Rating	Max Input Power		Input speed [min-1]	Propeller $\sigma$ [mm]	Max Bollard pull	
		[kW]	[hp]			[metric t]	[short t]
Available in FP and CP type							
<b>MTA727</b>	A/B	2827	3791	600-1800	2700	82-87	91-96
<b>MTA728</b>	A/B	2827	3791	600-1800	2800	85-90	93-99
<b>MTA729</b>	A/B	2827	3791	600-1800	2900	86-92	96-101
<b>MTA730</b>	A/B	2827	3791	600-1800	3000	88-93	97-102
<b>MTA730</b>	C/D	2850	3822	1600-1800	3000	88-94	98-103

Rating	Weight (min)	Dimensions		
	[metric t]	[mm]		
		A	$\sigma E$	H
<b>A/B</b>	36 (H=2750)	720	2850	2750, 3150, 3500
<b>C/D</b>	36	720	2850	2750

Thrust refers to twin units and typical vessel design. Bollard pull figures are indicative and final thrust will depend on vessel design and bollard pull conditions.

# MTA – Marine Thruster Azimuth Z-drives

## MTA8 – Marine Thruster Azimuth Z-Drive

MODEL	Rating	Max Input Power		Input speed	Propeller $\sigma$	Max Bollard pull	
		[kW]	[hp]	[min-1]	[mm]	[metric t]	[short t]
Available in FP and CP type							
<b>MTA831</b>	A/B	3740	5015	600-1800	3100	109-115	120-127
<b>MTA832</b>	A/B	3740	5015	600-1800	3200	111-117	122-129
<b>MTA833</b>	A/B	3740	5015	600-1800	3300	112-119	124-131
<b>MTA834</b>	A/B	3740	5015	600-1800	3400	113-120	125-132

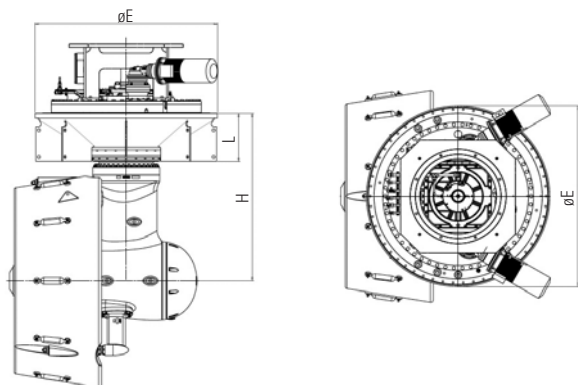
Rating	Weight (min)	Dimensions		
	[metric t]	[mm]		
		A	$\sigma E$	H
<b>A/B</b>	50 (H=4500)	855	2900	3050, 3750, 4300

Thrust refers to twin units and typical vessel design. Bollard pull figures are indicative and final thrust will depend on vessel design and bollard pull conditions.

# MTA – Marine Thruster Azimuth L-drives

## Dimensions

See tables under each MTA L-drive size



For reference only. The picture might differ from the reality.

## MTA1 – Marine Thruster Azimuth L-Drive

MODEL	Rating	Max Input Power	Input speed	Propeller $\sigma$	Max Bollard pull	
		[kW]	[min <sup>-1</sup> ]	[mm]	[metric t]	[short t]
Available in FP and CP type						
<b>MTA113</b>	A/B	605	1200-1500	1300	18-19	20-21
<b>MTA114</b>	A/B	605	1200-1500	1400	19-20	21-22

Rating	Weight (min)	Dimensions		
	[metric t]	[mm]		
		L	$\sigma E$	H
<b>A/B</b>	3.9	555	1440	1600

Thrust refers to twin units and typical vessel design. Bollard pull figures are indicative and final thrust will depend on vessel design and bollard pull conditions.

# MTA – Marine Thruster Azimuth L-drives

## MTA2 – Marine Thruster Azimuth L-Drive

MODEL	Rating	Max Input Power	Input speed	Propeller $\sigma$	Max Bollard pull	
		[kW]	[min-1]	[mm]	[metric t]	[short t]
Available in FP and CP type						
<b>MTA215</b>	A/B	770	1000-1500	1500	23-25	26-27
<b>MTA216</b>	A/B	770	1000-1500	1600	24-26	27-28

Rating	Weight (min)	Dimensions		
	[metric t]	[mm]		
		L	$\sigma E$	H
<b>A/B</b>	5.2	545	1620	1600

Thrust refers to twin units and typical vessel design. Bollard pull figures are indicative and final thrust will depend on vessel design and bollard pull conditions.

## MTA3 – Marine Thruster Azimuth L-Drive

MODEL	Rating	Max Input Power	Input speed	Propeller $\sigma$	Max Bollard pull	
		[kW]	[min-1]	[mm]	[metric t]	[short t]
Available in FP and CP type						
<b>MTA316</b>	A/B	1000	900-1200	1600	29-31	32-34
<b>MTA317</b>	A/B	1000	900-1200	1700	30-32	33-35
<b>MTA318</b>	A/B	1000	900-1200	1800	31-33	35-37
<b>MTA318</b>	C/D*	1081	900-1200	1850	34-36	37-39

Rating	Weight (min)	Dimensions		
	[metric t]	[mm]		
		L	$\sigma E$	H
<b>A/B</b>	8.2 (H=1900)	550, 800, 1100	1850	1900, 2200, 2500
<b>C/D</b>	8.2	550, 800, 1100	1850	1900

Thrust refers to twin units and typical vessel design. Bollard pull figures are indicative and final thrust will depend on vessel design and bollard pull conditions. \* Not available in CP.

# MTA – Marine Thruster Azimuth L-drives

## MTA4 – Marine Thruster Azimuth L-Drive

MODEL	Rating	Max Input Power	Input speed	Propeller $\sigma$	Max Bollard pull	
		[kW]	[min-1]	[mm]	[metric t]	[short t]
Available in FP and CP type						
<b>MTA418</b>	A/B	1320	750-1000	1800	38-40	42-44
<b>MTA419</b>	A/B	1320	750-1000	1900	40-42	44-46
<b>MTA420</b>	A/B	1320	750-1000	2000	41-43	45-47
<b>MTA420</b>	C/D*	1500	750-1000	2050	45-48	49-52

Rating	Weight (min)	Dimensions		
	[metric t]	[mm]		
		L	$\sigma E$	H
<b>A/B</b>	11 (H=2100)	600, 950, 1300	2150	2100, 2450, 2800
<b>C/D</b>	11	600, 950, 1300	2150	2100

## MTA5 – Marine Thruster Azimuth L-Drive

MODEL	Rating	Max Input Power	Input speed	Propeller $\sigma$	Max Bollard pull	
		[kW]	[min-1]	[mm]	[metric t]	[short t]
Available in FP and CP type						
<b>MTA522</b>	A/B	1710	600-900	2200	52-55	58-61
<b>MTA523</b>	A/B	1710	600-900	2300	53-56	59-62
<b>MTA524</b>	A/B	1710	600-900	2400	54-57	60-63
<b>MTA524</b>	C/D*	1950	600-900	2400	59-63	66-70

Rating	Weight (min)	Dimensions		
	[metric t]	[mm]		
		L	$\sigma E$	H
<b>A/B</b>	14 (H=2200)	635, 1005, 1405	2400	2200, 2600, 3000
<b>C/D</b>	14	635, 1005, 1405	2400	2200



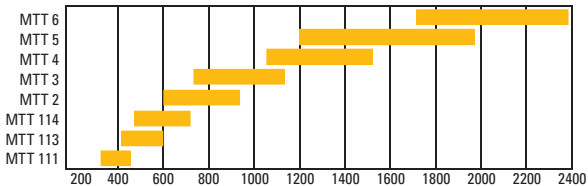
# MTT – Marine Thruster Transverse

## CAT MTT

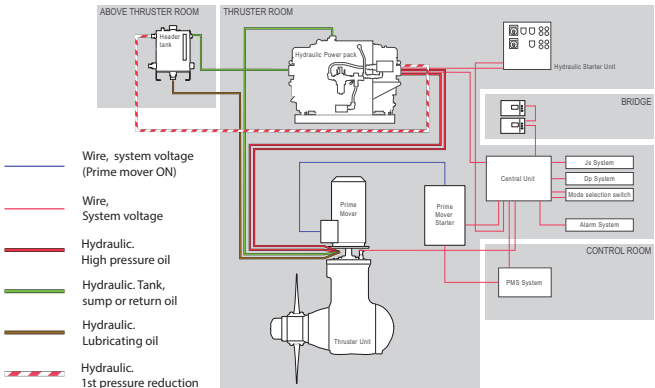
- Complies with all major marine class societies
- Continuous oil circulation and condition monitoring
- DP or Auxillary applications/ratings



## MTT power range



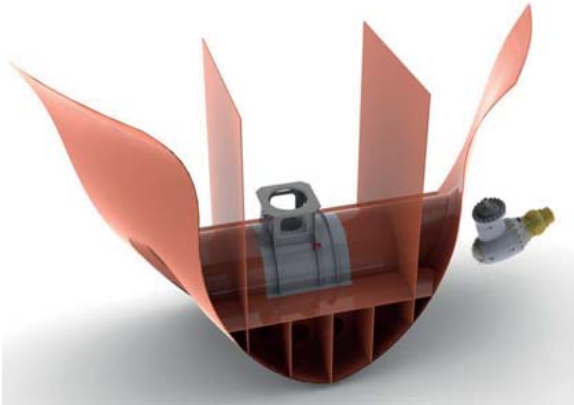
## Overview of a MTT system including integrated controls and monitoring



*If space is insufficient, the header tank can be replaced with an air pressurized shaft seal tank.*

### MTT installation options

- Thruster can be delivered assembled with tunnel or separately
- Swing in thruster unit for easy maintenance and maximum uptime, see picture.
- Motor foundation integrated in tunnel



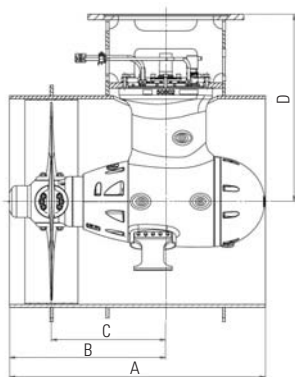
### MTT configuration options

- CP or FP propeller
- Electric prime mover as standard
- VFD or constant speed electric motor
- VGP compliant solution

# MTT – Marine Thruster Transverse

## Dimensions

See tables under each MTT size.



For reference only. The picture might differ from the reality.

## MTT111 – Marine Thruster Transverse

MODEL	Type	Rating	Max Input Power	Input speed	Propeller $\sigma$	Thrust	
			[kW]	[min <sup>-1</sup> ]	[mm]	[metric t]	[short t]
<b>MTT111</b>	FP	DP	380	1200-1800	1100	5.5	6.0
<b>MTT111</b>	FP	Aux	435	1200-1800	1100	6.0	6.6
<b>MTT111</b>	CP	DP	405	1200-1800	1090	5.3	5.9
<b>MTT111</b>	CP	Aux	440	1200-1800	1090	5.6	6.2

Type	Weight [min]	Dimensions [mm]			
	[t]	[mm]			
		A	B	C	D
FP	1.8	1200	655	480	1030
CP	2.0	1400	855	625	1030

# MTT – Marine Thruster Transverse

## MTT113 – Marine Thruster Transverse

MODEL	Type	Rating	Max Input Power	Input speed	Propeller $\sigma$	Thrust	
			[kW]	[min <sup>-1</sup> ]	[mm]	[metric t]	[short t]
MTT113	FP	DP	550	1200-1800	1300	7.8	8.6
MTT113	FP	Aux	600	1200-1800	1300	8.3	9.1
MTT113	CP	DP	515	1200-1800	1290	7.0	7.7
MTT113	CP	Aux	580	1200-1800	1290	7.6	8.3

Type	Weight [min]	Dimensions [mm]			
	[t]	[mm]			
		A	B	C	D
FP	2.3	1300	740	530	1191
CP	2.6	1500	940	670	1191

## MTT114 – Marine Thruster Transverse

MODEL	Type	Rating	Max Input Power	Input speed	Propeller $\sigma$	Thrust	
			[kW]	[min <sup>-1</sup> ]	[mm]	[metric t]	[short t]
MTT114	FP	DP	605	1200-1800	1440	9.0	10
MTT114	FP	Aux	690	1200-1800	1440	9.8	11
MTT114	CP	DP	615	1200-1800	1450	8.5	9
MTT114	CP	Aux	735	1200-1800	1450	9.5	11

Type	Weight [min]	Dimensions [mm]			
	[t]	[mm]			
		A	B	C	D
FP	2.9	1440	810	615	1296
CP	3.2	1630	1000	670	1296

# MTT – Marine Thruster Transverse

## MTT2 – Marine Thruster Transverse

MODEL	Type	Rating	Max Input Power	Input speed	Propeller $\sigma$	Thrust	
			[kW]	[min <sup>-1</sup> ]	[mm]	[metric t]	[short t]
<b>MTT216</b>	FP	DP	785	1200-1800	1650	12	13
<b>MTT216</b>	FP	Aux	940	1200-1800	1650	13	14
<b>MTT216</b>	CP	DP	755	1200-1800	1650	11	12
<b>MTT216</b>	CP	Aux	915	1200-1800	1650	12	13

Type	Weight [min]	Dimensions [mm]			
	[t]	[mm]			
		A	B	C	D
FP	4.2	1600	855	680	1401
CP	4.6	1830	1115	740	1401

## MTT3 – Marine Thruster Transverse

MODEL	Type	Rating	Max Input Power	Input speed	Propeller $\sigma$	Thrust	
			[kW]	[min <sup>-1</sup> ]	[mm]	[metric t]	[short t]
<b>MTT318</b>	FP	DP	915	1200-1800	1850	14	15
<b>MTT318</b>	FP	Aux	1150	1200-1800	1850	16	18
<b>MTT318</b>	CP	DP	940	1200-1800	1850	13	15
<b>MTT318</b>	CP	Aux	1110	1200-1800	1850	15	16

Type	Weight [min]	Dimensions [mm]			
	[t]	[mm]			
		A	B	C	D
FP	5.7	1710	960	750	1578
CP	6.4	2000	1255	845	1578

# MTT – Marine Thruster Transverse

## MTT4 – Marine Thruster Transverse

MODEL	Type	Rating	Max Input Power	Input speed	Propeller $\sigma$	Thrust	
			[kW]	[min <sup>-1</sup> ]	[mm]	[metric t]	[short t]
MTT419	FP	DP	1335	1000-1500	1950	19	20
MTT419	FP	Aux	1535	1000-1500	1950	20	22
MTT419	CP	DP	1350	1000-1500	1950	17	19
MTT419	CP	Aux	1515	1000-1500	1950	19	21

Type	Weight [min]	Dimensions [mm]			
	[t]	[mm]			
		A	B	C	D
FP	7.3	2000	1150	850	1738
CP	8.0	2250	1400	925	1738

## MTT5 – Marine Thruster Transverse

MODEL	Type	Rating	Max Input Power	Input speed	Propeller $\sigma$	Thrust	
			[kW]	[min <sup>-1</sup> ]	[mm]	[metric t]	[short t]
MTT522	FP	DP	1510	900-1200	2250	22	24
MTT522	FP	Aux	1730	900-1200	2250	24	27
MTT522	CP	DP	1825	900-1200	2250	24	26
MTT522	CP	Aux	1980	900-1200	2250	25	27

Type	Weight [min]	Dimensions [mm]			
	[t]	[mm]			
		A	B	C	D
FP	11.1	2200	1250	915	1991
CP	11.9	2430	1525	1015	1991

# MTT – Marine Thruster Transverse

## MTT6 – Marine Thruster Transverse

MODEL	Type	Rating	Max Input Power	Input speed	Propeller $\sigma$	Thrust	
			[kW]	[min <sup>-1</sup> ]	[mm]	[metric t]	[short t]
<b>MTT625</b>	FP	DP	2180	900-1200	2550	31	34
<b>MTT625</b>	FP	Aux	2370	900-1200	2550	32	36
<b>MTT625</b>	CP	DP	2155	900-1200	2550	29	31
<b>MTT625</b>	CP	Aux	2400	900-1200	2550	31	34

Type	Weight [min]	Dimensions [mm]			
	[t]	[mm]			
		A	B	C	D
FP	14.7	2430	1450	1035	2161
CP	16.5	2750	1700	1120	2161

# Remote Control System

The MPC 800 Remote Control System enables the crew to control and oversee the controllable pitch propellers and thrusters for all types of vessels. Using the latest microprocessor technology, all information is clearly displayed on all control stations. The control panels have daylight readable graphical displays, which can be easily configured to control or interface with a wide range of supplementary systems, including clutches, PTH systems, shaft brakes, joysticks, DP systems, VDR and conning systems. A number of service modes can also be configured, including different combinator curves and constant speed modes.



## ADVANTAGES

Real field bus technology means reduced wiring.

The electronic and bus system is duplicated for maximum redundancy.

Daylight readable graphical displays on all panels.

Easy to use jog wheel for user input.

Settings and service data easily accessed at all panels.

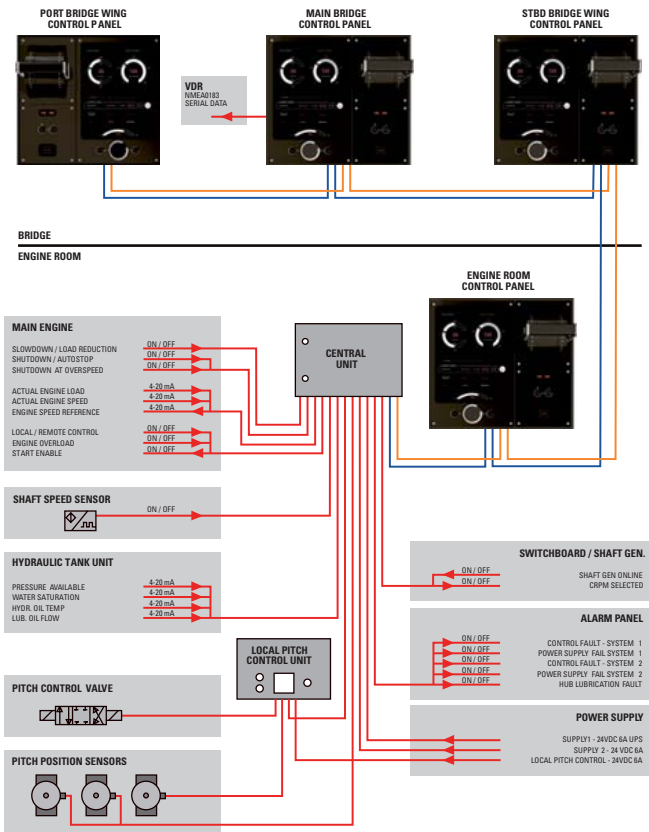
Faults diagnosis and self-monitoring in plain text.

Load control and different service modes provided as standard.

Type approved equipment in full compliance with classification demands.



# Typical system layout



## The total package

### Continuing Customer Support

Your business demands more than just quality products. That's why the global Cat dealer network is with you for the long haul. Our market-leading experience and customer service includes everything you need to get exactly what you want from your vessel.

### **We study your particular case and we can offer you a "tailor made" propulsion package. Everything You Need!**

- Gearbox
- Electrical motors and drivers
- Frequency converters
- Hydraulic motors
- Shaft alternator
- [...]

With a world-leading reputation for service and reliability, your Cat dealer will provide:

- Detailed product specifications
- Expert system sizing services and dealer consultation
- Flexible configurations
- Clear communication throughout the entire process
- Support through the lifetime of the vessel

# Propulsion Systems

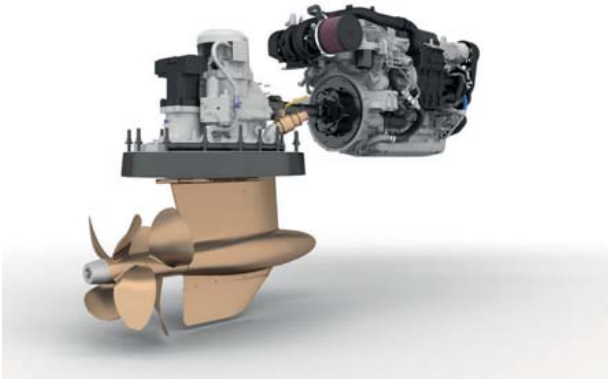
## Pleasure Craft Applications

### Cat® Three60 Pod 650

This electronic control system and mechanical pod drive are specifically designed to take advantage of the powerful torque of the C8.7, providing unmatched response and performance for smooth maneuvering.

#### Benefits

- Instantaneously controls vessel direction and speed
- Full or incremental power available in any direction
- Three60 Hold station keeping
- Remarkably easy to learn
- Intuitive directional maneuvering and smooth shifting
- Revolutionizes docking and slow-speed maneuvering
- Provides superior slow-speed vessel control



## Cat Three60 Precision Control For Conventional Drive Systems

The Cat Three60 Precision Control revolutionizes docking and slow speed maneuvering for diesel powered, conventional driveline vessels.

The system simultaneously actuates and controls engines, transmissions, and thrusters. With intuitive, easy fingertip movements, the vessel operator can instantaneously control all aspects of vessel direction and speed.



Three60 PC gives instant access to full or incremental power in any direction, immediate yet smooth shifting from forward to reverse, and propeller control down to 50 rpm.

### Benefits

- Remarkably easy to learn
- “Push, twist and go” directional maneuvering
- Superior slow-speed maneuvering
- Access to full or incremental power in any direction
- Smooth shifting from forward to reverse
- Available with Cat Extended Service Coverage for worry-free operation

Along with Cat electronically-controlled marine propulsion engines, this system requires Twin Disc QuickShift transmission, throttle control, electrical harnesses and sensors, bow thruster, stern thruster (optional), and hydraulic system components.

# System Solutions

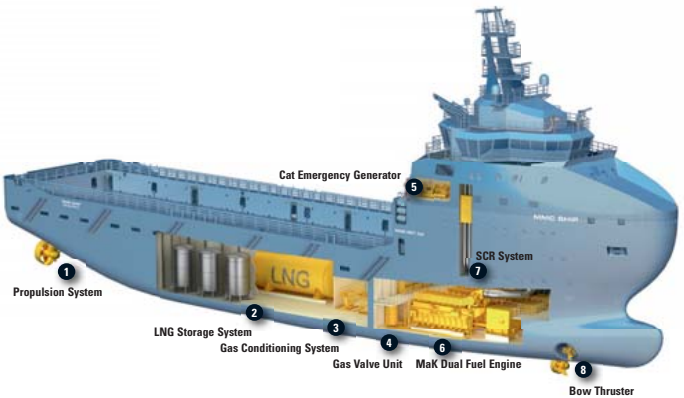


# LNG Propulsion and Fuel Gas Systems

## We've Chartered the Course for a Cleaner Now.

Current environmental restrictions are forcing the marine industry to explore more environmentally friendly energy conversion systems. Cruise lines and commercial operators see LNG as the smart new option, complying with all existing and upcoming regulations on emission of  $SO_x$ ,  $NO_x$ , particulate matter and  $CO_2$ .

Meanwhile, suppliers have been providing sound logistic chains to ensure the availability of LNG worldwide, and ship designs are supporting this alternative. An industry leader in the development of dual fuel technology, Caterpillar now coops with renowned LNG and cryogenic specialists and has already developed a clear lead in the production of purpose-designed LNG propulsion and fuel gas systems for a generation of new vessels.



## **Complete Solutions from a Single Source.**

We specialize in all aspects of LNG fuel and propulsion. Our global dealer network and industry leading after sales service enable us to offer complete, single source solutions – from shore-side bunkering to on-board storage; from bunker tanks to LNG fuel gas and automation systems; and, ultimately, from main engines and propellers to SCR aftertreatment.

Whether you are planning an upgrade or a newbuild, we have your solution.

# Multi-Engine Optimizer

The Multi-Engine Optimizer (MEO) tool leverages proprietary performance data and patented control algorithms to provide intelligence for power management systems. MEO works by advising power management systems on which engines to operate and enables the use of dynamic asymmetric loads to drive the combination of engines and loads that create the lowest possible fuel consumption.

For more information, please visit: [www.cat.com/meo](http://www.cat.com/meo)



**FUEL SAVINGS**



**EMISSIONS  
REDUCTIONS**



**IMPROVED  
MAINTENANCE**



**TRANSIENT  
RESPONSE**





## Vessel Monitoring and Analytics

Turn onboard data into actionable information. Take the guesswork out of equipment management. Maximize efficiency, increase productivity, and decrease operating costs by providing information to the right people, at the right time, to improve your bottom line.



EQUIPMENT  
MANAGEMENT

### **Increase uptime and reduce operating costs**

- Know the location, health and efficiency of your vessels
- Detect problems before they happen using data and inspections
- Receive expert recommendations
- Reduce costs through preventive maintenance, fleet optimizations, and equipment lifecycle management



SAFETY

### **Enhance awareness to keep people and equipment safe**

- Precisely track equipment locations and avoidance zones
- Reduce the risk of injuries
- Apply remote controls in harsh or challenging environments
- Promote a positive safety culture



PRODUCTIVITY

### **Monitor productivity and manage vessel efficiency**

- Receive accurate information on daily operations
- Boost production with increased efficiency
- Use production data to enhance performance
- Identify ownership options for various user needs



SUSTAINABILITY

### **Reduce environmental impact and simplify compliance**

- Make compliance reporting easier with better emissions monitoring
- Reduce emissions by burning less fuel; fuel selections.
- Optimize owning and operating costs
- Lower cost of regulatory reporting

# Cat Asset Intelligence

## Increase uptime and efficiency

Asset Intelligence gives you advanced predictive analytics and expert advisory services across your vessel – or across your entire fleet. The entire solution is tailored to your specific needs: which equipment is included, types of expert services, metrics, reports, and dashboards.

- Automated analytics identify potential issues before failure
- Fleet Advisors provide recommendations for maintenance and operations improvements
- Analyze and track equipment condition to optimize maintenance and repair scheduling
- Optimize energy use by improving maintenance and operations
- Ensure safety and regulatory compliance



For more information on these solutions and services, visit [www.cat.com/assetintel](http://www.cat.com/assetintel) or email us at [ConnectMAI@cat.com](mailto:ConnectMAI@cat.com)

## **Cat Remote Asset Monitoring (RAM)**

### **Remotely monitor and manage your assets in the field**

Cat Remote Asset Monitoring (RAM) enables users to determine the location, operation and condition of all Cat Products. RAM benefits include:

- Geofencing can be set up to help users understand when an asset enters and/or exits a defined boundary
- Asset location, vessel status and fault codes can be visualized
- Alerts that can be created and/or customized based on fault codes, geofencing, select engine and generator parameters and/or vessel status
- Low communication costs



# Customer Support Solutions



# Worldwide Dealer Network

---

The global dealer network of Caterpillar – the strongest in the world – ensures customer access to a whole support team, from people at the local branch to those at the corporate level. Service locations offer dealer personnel who know and understand their local market, their customers, and their customers' businesses.

Cat dealer field service capability is second to none. With the fastest response time available, and qualified, experienced field service technicians with the expertise and equipment to quickly diagnose and fix problems, customer uptime is maximized. Our technicians know Cat and MaK products and solutions, and deliver the same world-class support to customers – wherever and whenever they need it.

**Need to find your local dealer? Please visit:**

**[http://www.cat.com/en\\_US/support/dealer-locator.html](http://www.cat.com/en_US/support/dealer-locator.html)**

Caterpillar offers a variety of customer support solutions to protect your investment in Cat equipment, minimize owning/operating costs, and maximize uptime.

The primary options are Customer Service Agreements and Extended Service Coverage.

# Customer Service Agreement

---

## Customer Service Agreement

One of the best investments you can make for your new or used Cat or MaK marine engines is a Customer Service Agreement (CSA), a highly cost-effective way of reducing expense, disruption, and loss of revenue caused by engine downtime.

Because each of our customers is unique, we offer three flexible CSA options — Inspection, Preventive Maintenance, and Total Maintenance & Repair — that can be customized to your needs. CSAs ensure that maintenance and repairs are completed by highly skilled technicians, allowing you more time to tend to your business. Caterpillar tests have proven that, with CSAs, engine-operating time is significantly increased — your engines run longer, productivity rises, and potential revenue increases.

# Extended Service Coverage

---

From design and engineering to performance and support, Cat is the most reliable name in power. Extended Service Coverage (ESC) from Caterpillar increases this reliability as far out as you want to go — with complete confidence. We offer total coverage for new, used, and overhauled engines, and, because it is transferable, ESC may increase the resale value of your Cat powered vessel.

ESC protects against unexpected repair bills and rising parts/labor costs by providing 100 percent parts and labor reimbursement for covered components (less any applicable deductible), and our global service network ensures prompt, quality repairs by trained technicians. The broad range of coverage options — which can be customized to suit your individual needs — combined with simple pricing, provides confidence and peace of mind towards your engine's performance, today and tomorrow.

There are multiple options for both ESC coverage and CSAs. For more information, contact your local dealer or visit us at [\*\*www.cat.com/marine\*\*](http://www.cat.com/marine)



# Financing

---

Caterpillar Marine's power solutions provide the ruggedness and reliability to keep you and your vessel safely on course, and Cat Financial has the same commitment to your success. Whether you need construction, term, or repower financing, we have flexible terms and schedules that help you manage your cash, making Cat and MaK ownership easy and affordable, so you can get to work as soon as possible.

Our expertise extends to all marine sectors — from production and custom yachts to workboats and tankers, we have you covered. While we provide one customer experience worldwide, you'll benefit from our deep knowledge of the local markets. And, as it has been since 1986, our service commitment is powered by Caterpillar and Cat dealers everywhere, and our success is powered by strong customer relationships.

Get your project moving anywhere in the world with Cat Financial. Visit Cat Financial online at [Cat Financial.com](http://CatFinancial.com) or contact your local dealer.





# GLOSSARY



# Caterpillar Marine

## **HEADQUARTERS**

### **Caterpillar Marine**

Neumühlen 9  
22763 Hamburg/Germany

## **EUROPE, AFRICA, MIDDLE EAST**

### **Caterpillar Marine**

Neumühlen 9  
22763 Hamburg/Germany

### **Caterpillar Marine**

Falckensteiner Str. 2  
24159 Kiel/Germany

### **Caterpillar Marine**

22 Cobham Road  
Wimborne  
Dorset  
BH21 7 PW  
United Kingdom

## **AMERICAS**

### **Caterpillar Marine**

3450 Executive Way  
Miramar Park of Commerce  
Miramar, FL 33025/USA

### **Marine Center of Excellence**

560 Rehoboth Road  
Griffin, GA 30224/USA

### **Caterpillar Marine**

3401 South Street  
Lafayette, IN 47905/USA

### **Caterpillar Marine**

100 NE Adams St.  
AC6131  
Peoria, IL 61629/USA

### **Caterpillar Marine**

2270 7th Street  
2nd Floor Unit 2A  
Mandeville, LA 70471/USA

### **EMD Power Products**

9301 West 55th Street  
LaGrange, IL 60525

## **ASIA-PACIFIC**

### **Caterpillar Marine Trading (Shanghai) Co., Ltd**

25/F, Caterpillar Marine Center  
1319, Yan'an West Road  
200050 Shanghai/P.R. China

### **Caterpillar Marine Asia Pacific Pte Ltd**

No. 5 Tukang Innovation Grove  
Singapore 618304  
Republic of Singapore

# Caterpillar Propulsion

## **NAMIBIA**

### **Caterpillar Propulsion Africa**

Product Support, Service  
2nd Street East & John Newman  
Walvis Bay, Namibia, Africa

## **BRAZIL**

### **Caterpillar Propulsion Brazil**

Sales, Service  
Rua do Mercado, 17 - Sbj 201 - Centro  
20010-120  
Rio de Janeiro, RJ, Brazil

## **CHINA**

### **Caterpillar Propulsion Guangzhou**

Sales, Service  
RM4306, Building B, China Shine Plaza  
No. 9 Lin He Xi Road  
Tian He District  
510610 Guangzhou, China

### **Caterpillar Propulsion (Shanghai)**

Product Support, Sales  
6F, Lei Shing International Plaza,  
No. 1319 West Yan'an Road  
200050 Shanghai, China

## **ITALY**

### **Caterpillar Propulsion Italy S.R.L**

Sales  
Torre WTC - 19 Piano, Via de Marini 1  
16149 Genova, Italy

## **KOREA**

### **Caterpillar Propulsion Korea**

Sales  
2505 Centrum APEC-ro, LeadersMark 17  
Haeundae-gu, Busan, Korea

## **SINGAPORE**

### **Caterpillar Propulsion Singapore**

Sales, Service  
85 Tuas South Avenue 1  
637419 Singapore, Singapore

### **Caterpillar Propulsion Production Singapore**

Production & Purchasing  
85 Tuas South Avenue 1  
637419 Singapore, Singapore

## **SPAIN**

### **Caterpillar Propulsion Spain**

Sales  
Avda de Zumalakarregui 1, Entr A  
20008 San Sebastian, Spain

## **SWEDEN**

### **Caterpillar Propulsion Sweden**

Press & Media, Product Support, Sales,  
Service  
Tärnvägen 15  
475 40 Gothenburg, Sweden

### **Caterpillar Propulsion Production Sweden**

Production & Purchasing  
Langesand 1, Box 1005  
475 22 Gothenburg, Sweden

## **TURKEY**

### **Caterpillar Propulsion Turkey**

Sales, Service  
Fatih Sultan Mehmet Cad. Yayabey  
Sokak No. 12 Kat 2  
34810 Kavacik-Istanbul, Turkey

## **UNITED ARAB EMIRATES**

### **Caterpillar Propulsion Middle East**

Sales, Service  
Dubai Airport Free Zone, East Wing 6E-A  
P.O. Box 54517, Dubai 118  
United Arab Emirates

## **UNITED STATES**

### **Caterpillar Propulsion U.S.**

Sales  
2270 7th Street  
Mandeville, Louisiana 70471  
United States

# Marine Rating Definition

## Propulsion Engines

---

Rating definitions provide guidelines to help determine the appropriate rating for specific applications based on vessel operation. Cat marine propulsion engine rating applications for C9 through C175-16 are based on load factor, time at full throttle, and operational hours per year.

Contact your local Cat dealer for assistance in determining the appropriate rating for your specific application.

### **A Rating (Unrestricted Continuous)**

**Typical applications:** For vessels operating at rated load and rated speed up to 100% of the time without interruption or load cycling (80% to 100% load factor).

Typical operation ranges from 5000 to 8000 hours per year.

#### **For C280-6, C280-8, C280-12 and C280-16**

#### **Engines Only:**

**Continuous Service (CS) Rating** is suitable for continuous duty applications, including dredges, for operation without interruption or load cycling.

### **B Rating (Heavy Duty)**

**Typical applications:** For vessels operating at rated load and rated speed up to 80% of the time with some load cycling (40% to 80% load factor).

Typical operation ranges from 3000 to 5000 hours per year.

### **C Rating (Maximum Continuous)**

**Typical applications:** For vessels operating at rated load and rated speed up to 50% of the time with cyclical load and speed (20% to 80% load factor).

Typical operation ranges from 2000 to 4000 hours per year.

## For C280-6, C280-8, C280-12, C280-16, and EMD E 23 Engines Only:

**Maximum Continuous (MC) Rating** or EMD Intermittent rating is generally used for vessel applications involving varying loads. The engine power actually produced is limited by application guidelines, leaving a power reserve for unusual operating conditions. Operating time at loads above the Continuous Service Rating for a given rpm is limited to one hour in 12 or 8.3% of total operating hours.

**FCVR – Fast Commercial Vessel Rating:** 85% of operating hours at rated speed, 15% of hours at less than 50% rated power. TBO approximately 20,000 - 25,000 hours. The propulsion system design should consider heavy ship condition, sea state, hull fouling and propulsion system power losses for proper match between engine and prop/jet.

### D Rating (Intermittent Duty)

**Typical applications:** For vessels operating at rated load and rated speed up to 16% of the time (up to 50% load factor). Typical operating ranges from 1000 to 3000 hours per year.

### E Rating (High Performance)

**Typical applications:** For vessels operating at rated load and rated speed up to 8% of the time (up to 30% load factor). Typical operation ranges from 250 to 1000 hours per year.

### DEP Ratings (Diesel Electric Propulsion, Electric Drive)

**Typical applications:** For vessels operating with generator sets that provide power to the propulsion systems. All ratings are Prime Ratings according to ISO 8528-1 for unlimited usage per year at a load factor of  $\leq 70\%$ . 10% overload capability is required for a maximum of 1 hour out of every 12 and a maximum of 25 hours total per year.

**Typical applications could include but are not limited to supply vessels, cruise vessels, research vessels, or any other ship using diesel electric drive systems.**

## Rating Conditions for C175 and Smaller Engines

Ratings are based on SAE J1228 standard conditions of 29.61 in Hg (100 kPa) and 77°F (25°C). These ratings also apply at ISO3046-1:2002E, ISO8665, DIN6271-3, and BS5514 conditions of 29.61 in Hg (100 kPa), 81°F (27°C) and 60% relative humidity.

Caterpillar maintains ISO9001:2000 certified quality management systems for engine test facilities to assure accurate calibration of test equipment. Electronically controlled engines are set at the factory at the advertised power corrected to standard ambient conditions. The published fuel consumption rates are in accordance with ISO3046-1:2002E.

**Fuel consumption** is based on SAE J1995 with +/- 3% tolerance at rated power for fuel having an LHV of 18,390 Btu/lb (42,780 kJ/kg) when used at 84.2°F (29°C) and weighing 7.001 lbs/U.S. gal (838.9 g/liter). Additional ratings may be available for specific customer requirements. Consult your Cat representative for details.

## Rating Conditions for C280 Engines

Ratings are based on SAE J1349 standard conditions of 29.61 in Hg (100 kPa) and 77°F (25°C). These ratings also apply at ISO3046-1:2002E, ISO8665, DIN6271-3, and BS5514 standard reference conditions. Ratings also meet classification society maximum temperature requirements of 113°F (45°C) temperature to turbo and 90°F (32°C) seawater temperature without derate.

**Fuel consumption** is based on ISO3046/1 with +5% tolerance at rated power for fuel having an LHV of 18,390 Btu/lb (42,780 kJ/kg) and weighing 7.001 lbs/U.S. gal (838.9 g/liter). Includes engine mounted fresh water and lube oil pumps. BSFC without pumps, 2% less. Additional ratings may be available for specific customer requirements. Consult your Cat representative for details.

## Performance Data

Performance along a typical fixed pitch propeller curve with a 3.0 exponent.

Power rated in accordance with NMMA procedure as crankshaft power. For units equipped with Caterpillar supplied marine gears, reduce crankshaft power by 3% for propeller shaft power.



# Marine Rating Definition Generator Sets and Auxiliary Engines

Caterpillar has offered packaged power systems for over 70 years. We assure power and performance ratings, as advertised, through extensive factory testing.

Cat Generator Sets typically exceed NEMA and IEEE standards for load acceptance. All rotor designs have been type tested at 150% overspeed for two hours at 338°F (170°C) ambient temperature.

## Rating Definition

All Cat Marine Auxiliary engines and generator sets are rated for prime power for continuous electric service according to ISO 8528-1.

Hours per Year	Unlimited
Load Factor	< 70%
Overload Capacity	+ 10%
	maximum of 1 hour in 12
	maximum of 25 hours per year

## Rating Conditions

Ratings are based on SAE J3046 and J1349 standard conditions of 29.61 in. Hg (100 kPa) and 77°F (25°C). These ratings also apply at ISO8665, ISO3046-1:2002E, DIN6271-3, and BS5514 standard conditions of 29.61 in. Hg (100 kPa), 81°F (27°C), and 60% relative humidity.

Fuel rates are based on fuel oil of 35° API [60°F (16°C)] gravity having an LHV of 18,390 Btu/lb (42 780 kJ/kg) when used at 85°F (29°C) and weighing 7.001 lbs/U.S. gal. (838.9 g/liter).

Marine Auxiliary Engines are mainly used as generator set engines; however, they can be used for electrically driven pumps, winches, conveyors, thrusters, when it is specified. Engines can be radiator cooled or heat exchanger/keel cooled.

# Abbreviations

<b>bhp</b>	Brake Horsepower	<b>LG</b>	Length of Engine with Gear/Generator
<b>bkW</b>	Brake Kilowatts	<b>MCS</b>	Marine Control System
<b>CEM</b>	Clean Emission Module	<b>mhp</b>	Metric Horsepower
<b>DIN</b>	German Standards Organization	<b>NA</b>	Naturally Aspirated
<b>DF</b>	Dual Fuel	<b>R</b>	Radiator Cooled
<b>ekW</b>	Electrical Kilowatts	<b>SAE</b>	Society of Automotive Engineers
<b>EPA</b>	Environmental Protection Agency	<b>SCAC</b>	Separate Circuit Aftercooled
<b>EU</b>	European Union	<b>SCR</b>	Selective Catalytic Reduction
<b>EUI</b>	Electronic Unit Injection	<b>T</b>	Turbocharged
<b>g/bkW-hr</b>	Grams per Brake Kilowatt Hour	<b>TA</b>	Turbocharged, Aftercooled
<b>H</b>	Height of Engine	<b>TSA</b>	Turbocharged, Supercharged, Aftercooled
<b>HE</b>	Heat Exchanger Cooled	<b>TTA</b>	Twin Turbo Aftercooled
<b>IMO</b>	International Maritime Organization	<b>U.S. g/h</b>	U.S. Gallons per Hour
<b>ISO</b>	International Standards Organization	<b>W</b>	Overall Width
<b>kVA</b>	Kilovolt-Ampere	<b>WE</b>	Width of Engine
<b>L</b>	Overall Engine Length		
<b>LE</b>	Length of Engine from Front of Engine to Rear Face of Flywheel Housing		



For more information  
please visit:  
[www.cat.com/marine](http://www.cat.com/marine)

©2018 Caterpillar. All rights reserved. CAT, CATERPILLAR, BUILT FOR IT, their respective logos, ACERT, ADEM, "Caterpillar Yellow", the "Power Edge" trade dress as well as corporate and product identity used herein, are trademarks of Caterpillar and may not be used without permission.

LEDM3457-23 (5-18)

**CATERPILLAR®**