

Cat[®] PF3

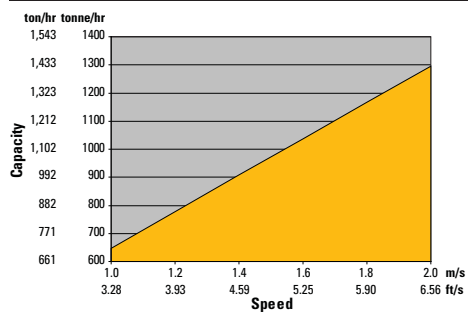
FACE CONVEYOR LINE PAN

Specifications

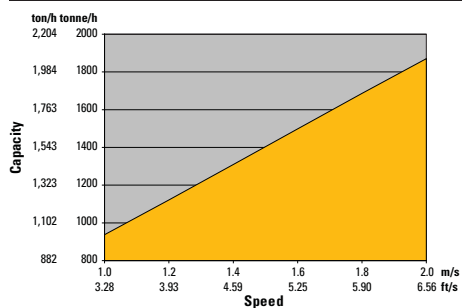
Technical Data

Line Pan Width			Dogbone Housing FoS	1.5 times	
PF3/722	722 mm	28.42 in	Shear Strength	3000 kN	337.21 tonf
PF3/822	822 mm	32.36 in	Vertical Articulation	up to ± 6°	
PF3/922	922 mm	36.30 in	Horizontal Articulation	0.8°-1.2°	
Flightbar Width			Chain Strands	DKB 26×92	
PF3/722	582 mm	22.91 in		DKB 30×108	
PF3/822	682 mm	26.85 in		DKB 34×126	
PF3/922	782 mm	30.78 in		DKB 38×137	
Deck Plate Thickness	30 mm	1.18 in	Conveying Capacity		
Profile Height	244 mm	9.60 in	PF3/722	0.18 m ²	1.93 ft ²
Bottom Plate Thickness	20 mm	0.78 in	PF3/822	0.26 m ²	2.80 ft ²
Dogbone Breaking Strength	2000 kN	224.80 tonf	PF3/922	0.36 m ²	3.87 ft ²

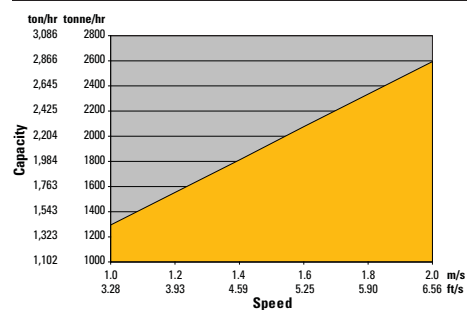
PF3/722



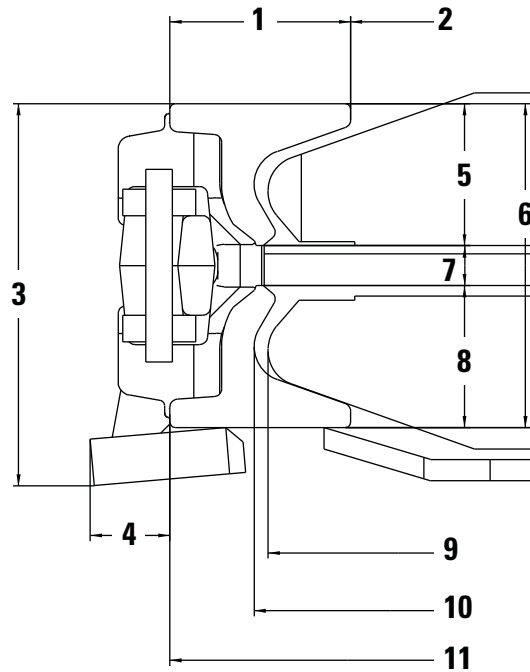
PF3/822



PF3/922



PF3 Face Conveyor Line Pan



Dimensions (All dimensions are approximate.)

	PF3/722		PF3/822		PF3/922	
1	136 mm	5.35 in	136 mm	5.35 in	136 mm	5.35 in
2	450 mm	17.72 in	550 mm	21.65 in	650 mm	25.59 in
3	288 mm	11.33 in	288 mm	11.33 in	288 mm	11.33 in
4	60 mm	2.36 in	60 mm	2.36 in	60 mm	2.36 in
5	107 mm	4.21 in	107 mm	4.21 in	107 mm	4.21 in
6	244 mm	9.6 in	244 mm	9.6 in	244 mm	9.6 in
7	30 mm	1.18 in	30 mm	1.18 in	30 mm	1.18 in
8	107 mm	4.21 in	107 mm	4.21 in	107 mm	4.21 in
9	582 mm	22.91 in	682 mm	26.85 in	782 mm	30.78 in
10	594 mm	23.38 in	694 mm	27.32 in	794 mm	31.26 in
11	722 mm	28.42 in	822 mm	32.36 in	922 mm	36.30 in

For more complete information on Cat® products, dealer services, and industry solutions, visit us on the web at www.cat.com

AEHQ6950 (08-13)

© 2013 Caterpillar Inc.
All Rights Reserved
Printed in U.S.A.

Materials and specifications are subject to change without notice. Featured machines in photos may include additional equipment. See your Cat dealer for available options.

CAT, CATERPILLAR, SAFETY.CAT.COM, their respective logos, "Caterpillar Yellow" and the "Power Edge" trade dress, as well as corporate and product identity used herein, are trademarks of Caterpillar and may not be used without permission.

