

Cat[®] PF4

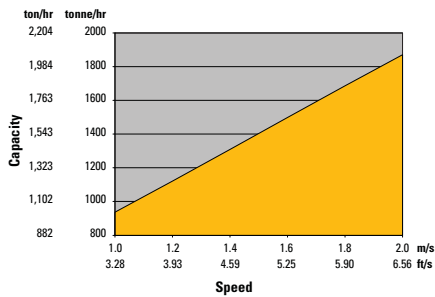
FACE CONVEYOR LINE PAN

Specifications

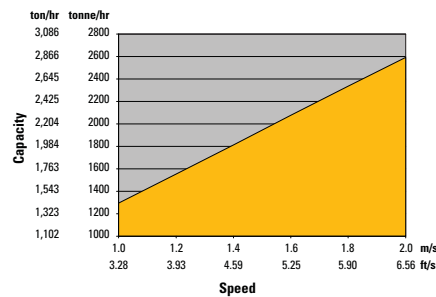
Technical Data

Line Pan Width			Dogbone Housing FoS	1.5 times	
PF4/832	832 mm	52.44 in	Shear Strength	4000 kN	449.61 tonf
PF4/932	932 mm	36.69 in	Vertical Articulation	up to ± 6°	
PF4/1032	1032 mm	40.62 in	Horizontal Articulation	0.8°-1.2°	
PF4/1132	1132 mm	44.56 in	Chain Strands		
PF4/1332	1332 mm	52.44 in	PF4/832	AKB F130×108 DKB 34×126	
Flightbar Width			PF4/932	AKB F130×108 DKB 34×126	
PF4/832	688 mm	46.77 in	PF4/1032	AKB F130×108 DKB 34×126	
PF4/932	788 mm	31.02 in		DKB 42×146	
PF4/1032	888 mm	34.96 in	PF4/1132	DKB 34×126 DKB 42×146	
PF4/1132	988 mm	38.89 in		DKB 48×160/144	
PF4/1332	1188 mm	46.77 in	PF4/1332	DKB 42×146 DKB 48×160/144	
Deck Plate Thickness	40 mm	1.57 in	Conveying Capacity		
Profile Height	284 mm	11.18 in	PF4/832	0.26 m ²	2.80 ft ²
Bottom Plate Thickness	25 mm	0.98 in	PF4/932	0.36 m ²	3.87 ft ²
Dogbone Breaking Strength			PF4/1032	0.46 m ²	4.95 ft ²
PF4/832	3000 kN	337.21-404.65 tonf	PF4/1132	0.58 m ²	6.24 ft ²
PF4/932	3000 kN	337.21 tonf	PF4/1332	0.85 m ²	9.15 ft ²
PF4/1032	3000-3600 kN	337.21-404.65 tonf			
PF4/1132	3000-3600 kN	337.21-404.65 tonf			
PF4/1332	3000-3600 kN	337.21-404.65 tonf			

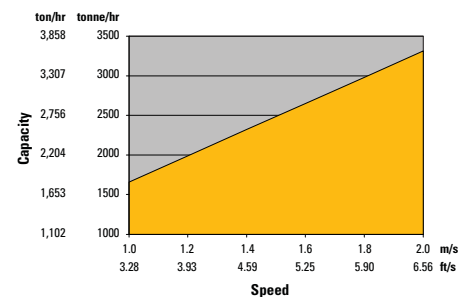
PF4/832



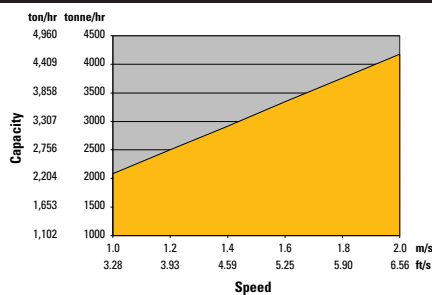
PF4/932



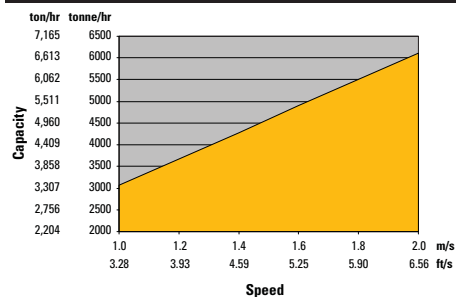
PF4/1032



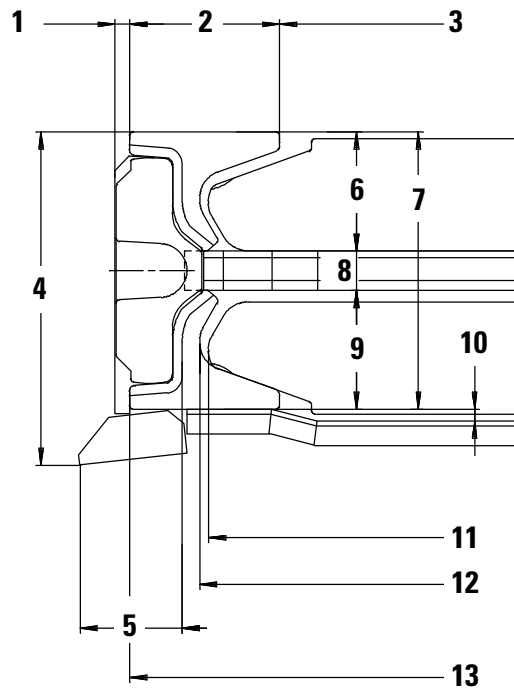
PF4/1132



PF4/1332



PF4 Face Conveyor Line Pan



Dimensions (All dimensions are approximate.)

	PF4/832		PF4/932		PF4/1032		PF4/1132		PF4/1332	
1	15 mm	0.59 in	15 mm	0.59 in	15 mm	0.59 in	15 mm	0.59 in	15 mm	0.59 in
2	154 mm	6.06 in	154 mm	6.06 in	154 mm	6.06 in	154 mm	6.06 in	154 mm	6.06 in
3	524 mm	20.62 in	624 mm	24.56 in	724 mm	28.50 in	824 mm	32.44 in	1024 mm	40.31 in
4	341 mm	13.42 in	341 mm	13.42 in	341 mm	13.42 in	341 mm	13.42 in	341 mm	13.42 in
5	105 mm	4.13 in	105 mm	4.13 in	105 mm	4.13 in	105 mm	4.13 in	105 mm	4.13 in
6	122 mm	4.80 in	122 mm	4.80 in	122 mm	4.80 in	122 mm	4.80 in	122 mm	4.80 in
7	284 mm	11.18 in	284 mm	11.18 in	284 mm	11.18 in	284 mm	11.18 in	284 mm	11.18 in
8	40 mm	1.57 in	40 mm	1.57 in	40 mm	1.57 in	40 mm	1.57 in	40 mm	1.57 in
9	122 mm	4.80 in	122 mm	4.80 in	122 mm	4.80 in	122 mm	4.80 in	122 mm	4.80 in
10	12 mm	0.47 in	12 mm	0.47 in	12 mm	0.47 in	12 mm	0.47 in	12 mm	0.47 in
11	676 mm	26.61 in	776 mm	30.55 in	876 mm	34.48 in	976 mm	38.42 in	1176 mm	46.29 in
12	688 mm	27.08 in	788 mm	31.02 in	888 mm	34.96 in	988 mm	38.89 in	1188 mm	46.77 in
13	832 mm	32.75 in	932 mm	36.69 in	1032 mm	40.62 in	1132 mm	44.56 in	1332 mm	52.44 in

For more complete information on Cat® products, dealer services, and industry solutions, visit us on the web at www.cat.com

AEHQ6951 (08-13)

© 2013 Caterpillar Inc.
All Rights Reserved
Printed in U.S.A.

Materials and specifications are subject to change without notice. Featured machines in photos may include additional equipment. See your Cat dealer for available options.

CAT, CATERPILLAR, SAFETY.CAT.COM, their respective logos, "Caterpillar Yellow" and the "Power Edge" trade dress, as well as corporate and product identity used herein, are trademarks of Caterpillar and may not be used without permission.

