

Cat[®] PF7

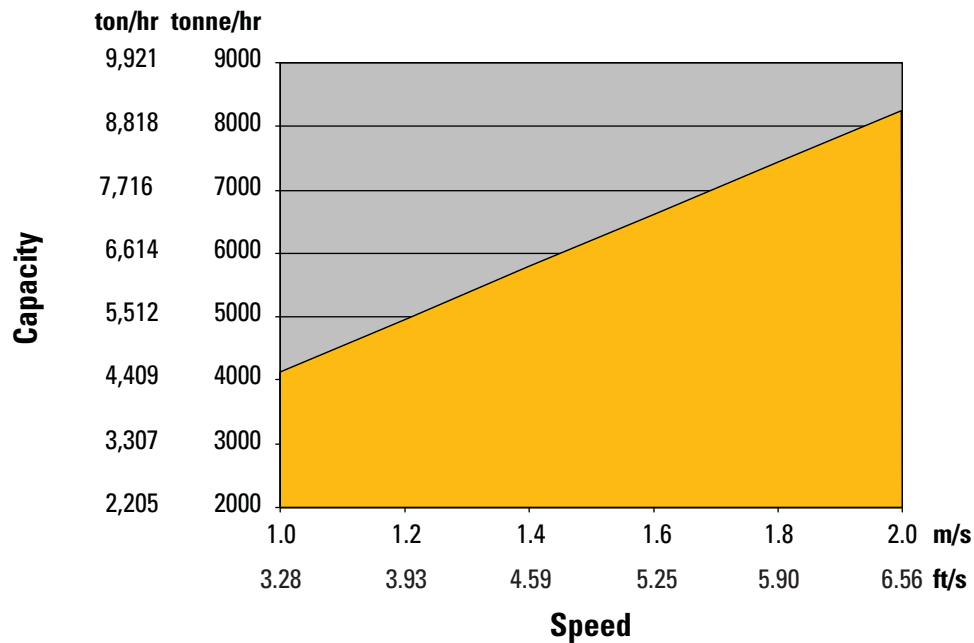
FACE CONVEYOR LINE PAN

Specifications

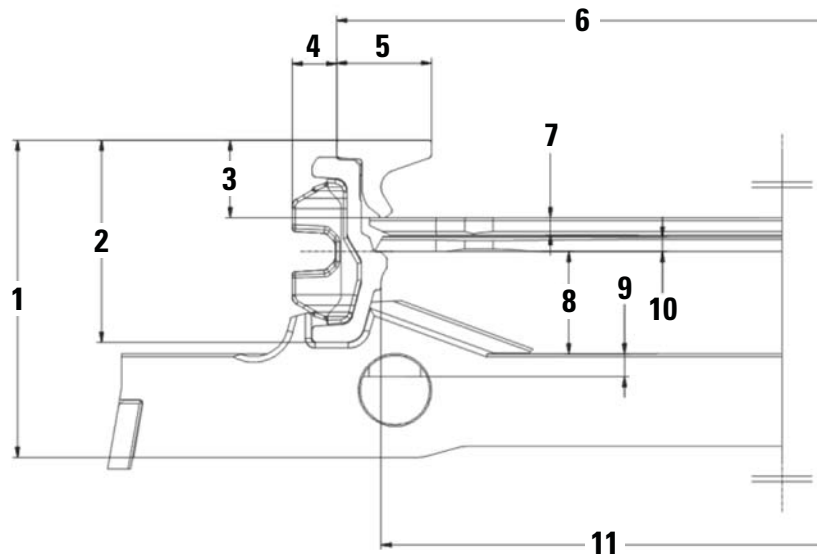
Technical Data

Line Pan Width	1542 mm	60.71 in	Dogbone Housing FoS	1.5 times	
Flightbar Width	1388 mm	54.65 in	Shear Strength	> 6000 kN	> 674.43 tonf
Deck Plate Thickness	30 + 25 mm	1.18 + 0.98 in	Vertical Articulation	up to ± 6°	
Profile Height	350 mm	13.78 in	Horizontal Articulation	0.8°-1.2°	
Bottom Plate Thickness	30 mm	1.18 in	Chain Strands	DKB 60×135/181	
Dogbone Breaking Strength	4500 kN	505.82 tonf	Conveying Capacity – approximate	1.15 m ²	12.38 ft ²

PF7/1542



PF7 Face Conveyor Line Pan



Dimensions (All dimensions are approximate.)

PF7/1542		
1	550 mm	21.6 in
2	350 mm	13.78 in
3	134 mm	5.27 in
4	77 mm	3.03 in
5	164 mm	6.46 in
6	1542 mm	60.71 in
7	30 mm	1.18 in
8	177 mm	6.97 in
9	40 mm	1.57 in
10	25 mm	0.98 in
11	1388 mm	54.65 in

For more complete information on Cat® products, dealer services, and industry solutions, visit us on the web at www.cat.com

AEHQ7163 (10-13)

© 2013 Caterpillar Inc.
All Rights Reserved
Printed in U.S.A.

Materials and specifications are subject to change without notice. Featured machines in photos may include additional equipment. See your Cat dealer for available options.

CAT, CATERPILLAR, SAFETY.CAT.COM, their respective logos, "Caterpillar Yellow" and the "Power Edge" trade dress, as well as corporate and product identity used herein, are trademarks of Caterpillar and may not be used without permission.

