



Picture shown may not reflect actual configuration

Features

Proven Energy Yield

- 19.3% efficiency
- -0/+5W positive power tolerance

Excellent Performance in Low Irradiance

- Outstanding power output in low irradiance conditions such as dawn, dust, and cloudy days.

Anti-PID

- Anti-PID (performance induced degradation) techniques for processing solar cells and encapsulation of modules applied.

Adaptability to Harsh Environments

- Excellent anti-salt mist and anti-ammonia capability; adaptable to harsh environments such as seaside and farms.

Robust Frame

- Robust module construction enables installed module to withstand 5400 Pa front side static loading and 25mm hail impact at 23m/s.

Tests

- IEC 61215, IEC61730 Class C and UL1703 Type 1 fire rating
- ISO 9001:2008: ISO Quality Management System
- ISO 14001:2004: ISO Environment Management System
- TS62941: Guideline for module design qualification and type approval
- OHSAS 18001: 2007 Occupational Health and Safety

PVC375 MP Monocrystalline Photovoltaic Module

The monocrystalline photovoltaic modules feature high efficiency low LID mono PERC technology and provide excellent performance under low temperature or low light environment. The modules provide high power output at high levels of reliability.

Certifications (pending receipt of certificate)

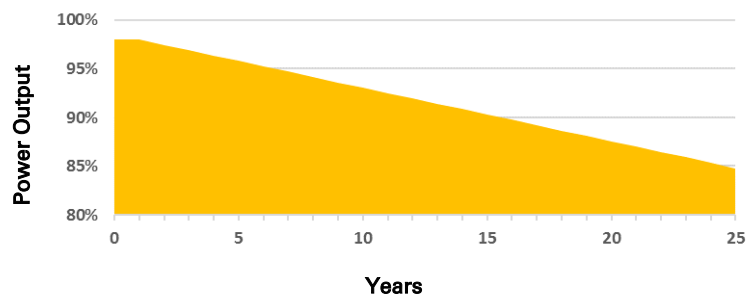
- Available listing: TUV SUD, CSA, CE

Worldwide Product Support

- Cat® dealers have over 1,800 dealer branch stores operating in over 200 countries
- Your local Cat dealer provides extensive pre-sale and post-sale support, including design consultation, service contracts, and all maintenance agreement.

Module Warranty

- 10-year warranty for materials and processing
- 25-year warranty for linear power output. Produces more than 98% power in the first year, then declining by 0.55% per year, ending at 84.8% power after 25 years.



Module Rating at Standard Test Conditions (STC)

1000W/m ² , AM 1.5, 25°C	Model	PVC375 MP
Nominal Power (-0/+5W)	P _{MPP} (W)	375
Voltage at P _{MAX}	V _{MPP} (V)	40.1
Current at P _{MAX}	I _{MPP} (A)	9.36
Open Circuit Voltage	V _{OC} (V)	48.7
Short Circuit Current	I _{SC} (A)	9.96
Module Efficiency	%	19.3
Maximum System Voltage	V _{SYS} (V)	1500
Maximum Series Fuse	I _{CF} (A)	20A

Rating at Nominal Operating Cell Temperature of 45°C
800W/m², 20°C air temperature, AM 1.5, 1m/w wind speed

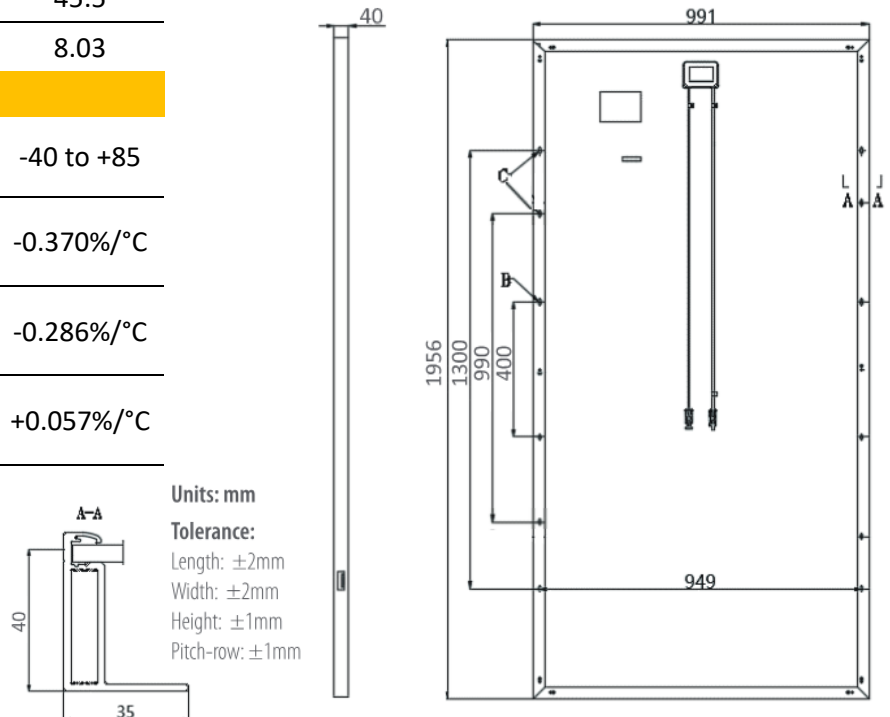
Nominal Power	P _{MPP} (W)	277.8
Voltage at P _{MAX}	V _{MPP} (V)	37.0
Current at P _{MAX}	I _{MPP} (A)	7.51
Open Circuit Voltage	V _{OC} (V)	45.5
Short Circuit Current	I _{SC} (A)	8.03

TEMPERATURE CHARACTERISTICS

Module Operating Temperature Range	(°C)	-40 to +85
Temperature Coefficient of P _{MPP}	T _K (P _{MPP})	-0.370%/°C
Temperature Coefficient of V _{OC}	T _K (V _{OC})	-0.286%/°C
Temperature Coefficient of I _{SC}	T _K (I _{SC})	+0.057%/°C

MECHANICAL DETAILS

Length	1956 mm (77 in)
Width	991 mm (39 in)
Thickness	40 mm (1.6 in)
Weight	22.2 kg (48.9 lbs.)
Leadwire	4 mm ² , 1200 mm
Connectors	MC4 Compatible PV-ZH202B TL-CABLE01S-F
Cell Type	Monocrystalline, 72 cells per panel
Application Class	Class II
Frame Material	Aluminum
Front Side Max Static Load	5400 Pa
Rear Side Max Static Load	2400 Pa
Hailstone Test	25mm hailstone at 23 m/s



Materials and specifications are subject to change without notice.

CAT, CATERPILLAR, LET'S DO THE WORK, their respective logos, "Caterpillar Yellow", the "Power Edge" and Cat "Modern Hex" trade dress as well as corporate and product identity used herein, are trademarks of Caterpillar and may not be used without permission.

www.cat.com/electricpower