

R2900G

Underground Mining Loader



Engine

Engine Model	Cat® C15 ACERT™	
Gross Power – VR Engine – SAE J1995	305 kW	409 hp
Gross Power – Tier 3 Engine – SAE J1995	305 kW	409 hp

Operating Specifications

Nominal Payload Capacity	17 200 kg	37,926 lb
Gross Machine Mass	70 350 kg	155,095 lb
Bucket Capacities		
Bucket Capacities	6.3-8.9 m ³	8.2-11.6 yd ³

R2900G Features

One Supplier

Caterpillar designed and manufactured major power and drive train components for reliability and performance.

Reliable and Durable Engine

The Cat C15 engine offers the perfect balance between power, robust design and economy.

Power Shift Transmission

Reliable and rugged design to deliver power and efficiency for peak power train performance.

Hydraulics

Perfect balance between low effort controls and powerful hydraulics for smooth and fast cycle time.

Durable Structures

The heavy duty frame is designed and built to absorb twisting, impact and high loading forces for maximum durability and reliability.

Comfortable Cab

Ergonomically designed for all-day comfort, control and productivity.

Enhanced Serviceability

Designed with improved service points and grouped service locations to simplify maintenance and repair.

Built in Safety

Safety is not an after thought, but an integral part of all machine and system design.

Contents

Power Train – Engine	4
Power Train – Transmission	5
Hydraulics	6
Structures.....	7
Operator Comfort	8
Loader Bucket Systems	9
Serviceability	10
Customer Support.....	11
Safety	12
Specifications.....	13
Standard Equipment.....	17
Optional Equipment.....	18
Notes.....	19



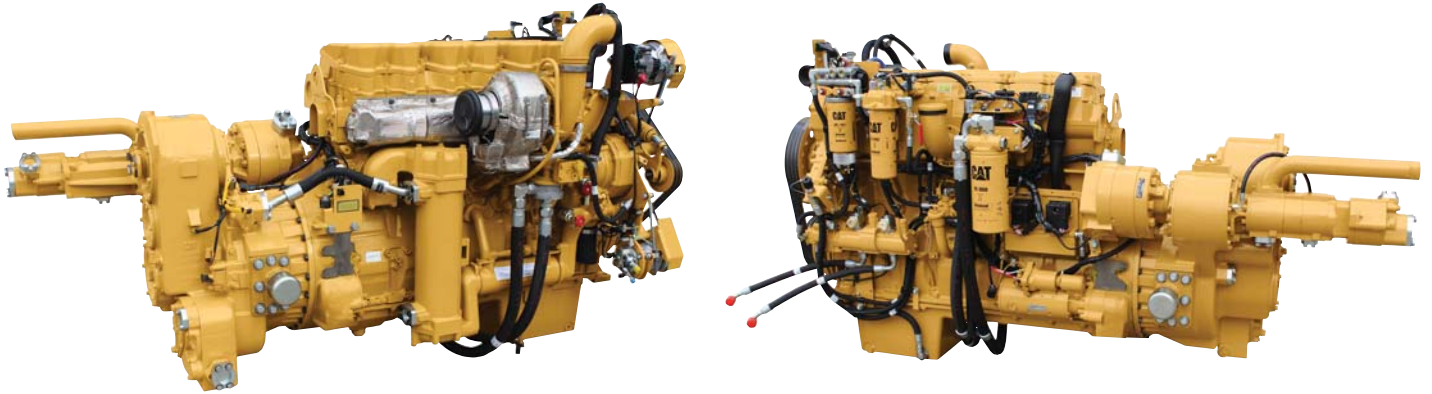


The R2900G underground loader is designed for high production, low cost-per-ton loading and tramming in underground mining applications. Compact design with agile performance, rugged construction and simplified maintenance ensures excellent productivity, long life and low operating costs.

Engineered for performance, designed for comfort, built to last.

Power Train – Engine

The Cat C15 engine with ACERT Technology.
Innovative technologies optimize performance.



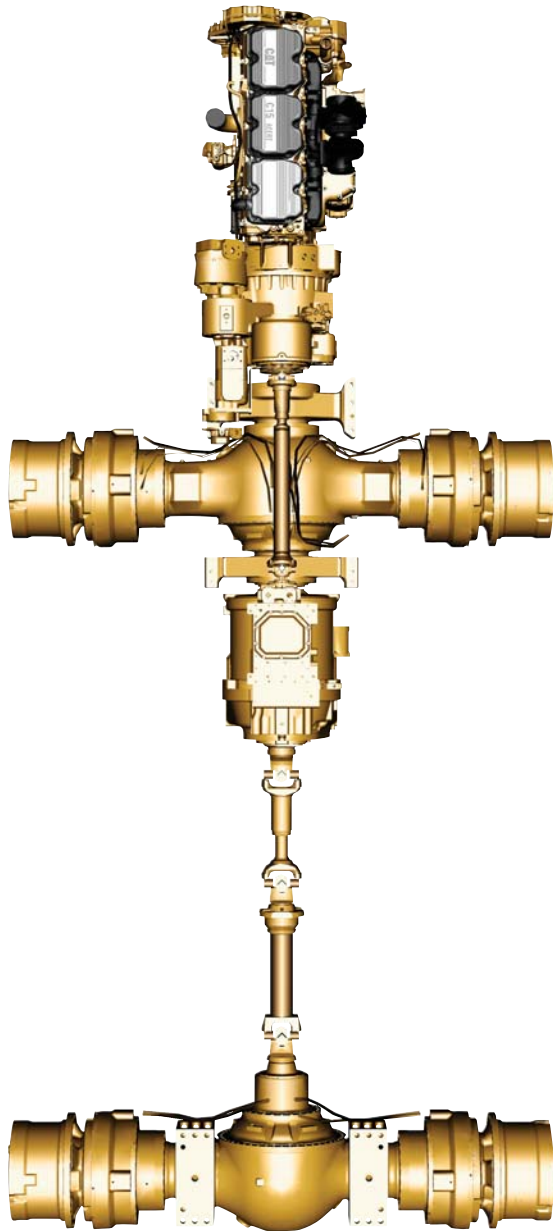
The Cat C15 ACERT engine provides unequalled lugging force while digging, tramming and traversing steep grades. Torque rise effectively matches transmission shift points for maximum efficiency and fast cycle times. Mechanically Actuated, Electronic Unit Injection (MEUI™) high-pressure, direct injection fuel system electronically monitors operator demands and sensor inputs to optimize engine performance. Air-to-air aftercooling provides improved fuel economy by packing cooler, denser air into cylinders for more complete combustion of fuel and lower emissions. Oil cooled pistons increase heat dissipation and promote longer piston life. The crankshaft is forged and induction hardened for long-term durability.

The Cat C15 engine features the optional Ventilation Reduction Package. The VR Package incorporates selective engine hardware and software to minimize diesel particulate matter in the engine exhaust. Engines equipped with the VR Package feature a significant ventilation rate reduction, a decrease in fuel consumption, and maintained or improved product performance. VR Package availability is subject to regional regulatory compliance. Optional U.S. EPA Tier 3 and EU Stage III compliant engine is also available.

A Cat Diesel Particulate Filter can be used with the VR engine package. The filter compliments the VR engine by further reducing particulate matter in the exhaust. Requires the use of 15 PPM ultra low sulfur diesel and CJ-4 low ash engine oil.

Power Train – Transmission

More power to the ground
for greater productivity.



Power Shift Transmission

The Cat four-speed planetary power shift transmission is matched with the Cat C15 diesel engine to deliver constant power over a wide range of operating speeds.

Robust Design

Designed for rugged underground mining conditions, the proven planetary power shift transmission is built for long life between overhauls.

Torque Converter Lockup Clutch

Combines maximum rimpull while in torque converter drive with the efficiency and performance of direct drive when the lockup clutch is engaged. The lockup clutch delivers more power to the wheels for superior power train efficiency.

Electronic Auto Shift Transmission

The electronic auto shift transmission increases operator efficiencies and optimizes machine performance. The operator can choose between manual or auto shift modes.

Transmission Neutralizer

Using the left brake pedal, the operator can engage the service brakes and neutralize the transmission, maintaining high engine rpm for full hydraulic flow, enhancing digging and loading functions.

Engine Over Speed Protection

The engine over speed control system will control the engine to a pre-set RPM to prevent an engine over speed event from occurring. It achieves this by modulating the service brakes to slow the machine down therefore reducing the engine RPM.

Differential

No spin rear differential reduces tire wear and maximizes traction in uneven terrain.

Hydraulics

Cat hydraulics deliver the power and control to keep material moving.



Hydraulic System

Powerful Cat hydraulics deliver exceptional digging and lifting forces for fast cycle times.

Lift and Tilt System

High hydraulic flow rates provide fast hydraulic cylinder response and powerful lift forces. Large-bore lift and tilt cylinder delivers exceptional strength, performance and durability.

Pilot Controls

Low effort, pilot operated joystick implement control with simultaneous lift and tilt functions optimizes operating efficiency.

Optional Ride Control

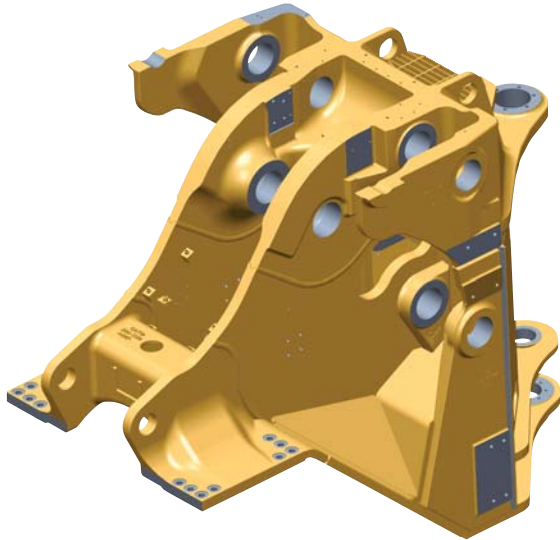
The optional ride control system uses a nitrogen filled oil accumulator in the hydraulic lift circuit to act as a shock absorber for the bucket and lift arms. The lift arm and bucket response to movement is dampened over rough ground, reducing fore and aft pitch, improving cycle times and load retention. A smoother, more comfortable ride gives operators the confidence to travel at speeds above 5 km/h (3 mph) during load and carry operations.

Cat Hydraulic Hose

Field proven Cat high pressure XT hydraulic hoses are exceptionally strong and flexible for maximum system reliability and long life in the most demanding conditions. Reusable couplings with O-ring face seals provide superior, leak free performance and prolong hose assembly life.

Structures

Rugged Cat structures – the backbone of the R2900G's durability.



Frame Design

The frame is engineered to withstand extreme forces generated during loading and tramming cycles. Precision manufacturing process ensures all structures are consistently built to high quality. Deep penetration and consistent welds throughout the frame ensures structures are solidly fused to provide sturdy platform for the linkage and the axles. The design and manufacturing quality of Cat LHD frames have been proven by our customers, many of whom reuse frames during machine rebuilds to get 2nd and 3rd lives out of their LHD's.

Hitch

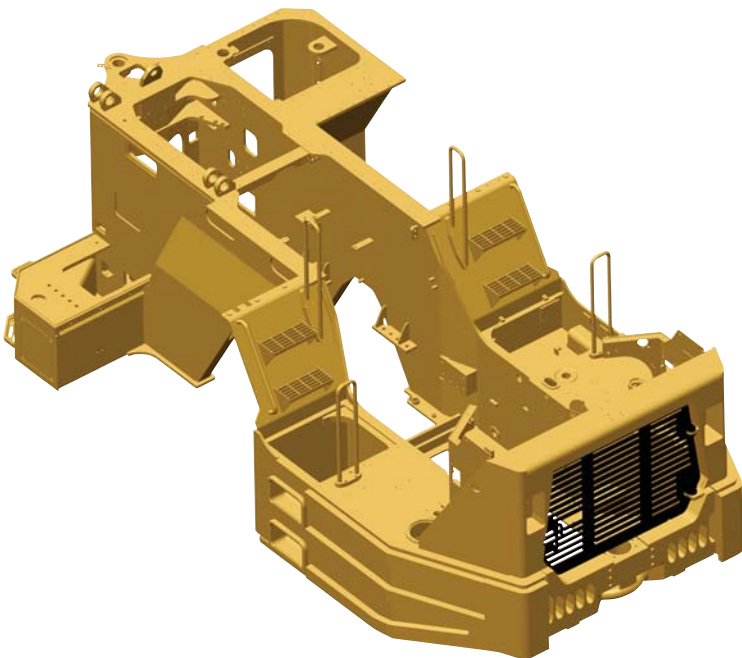
Spread hitch design widens the distance between upper and lower hitch plates to distribute forces and increase bearing life. Thicker hitch plates reduce deflection. The wide opening provides easy service access. Upper and lower hitch pins pivot on roller bearings to distribute horizontal and vertical loads over a greater surface area. Shim adjusted preload reduces maintenance time. An on-board steering frame lock pin is fitted to prevent articulation during maintenance and service.

Sealed Pins

Sealed colleted pins are fitted to all major bucket and lift arm hinge points for longer pin and bushing life. This reduces maintenance costs and extends service intervals. The sealed joints retain lubrication and prevent contaminant entry.

Z-bar Loader Linkage

Proven Z-bar loader linkage geometry generates powerful breakout force and an increased rack back angle for better bucket loading and material retention. Heavy duty steel lift arms with cast steel cross tube ensures extreme loads encountered during loading and tramming are efficiently dissipated for long service life.



Operator Comfort

Ergonomically designed for all-day comfort, control and productivity.

The operator station is ergonomically designed for total machine control in a comfortable, productive and safe environment. All controls, levers, switches and gauges are positioned to maximize productivity and minimize operator fatigue.

Protective Structure

Integral to the cab and frame, the Rollover Protective Structure (ROPS) and the Falling Objects Protective Structure (FOPS), are resiliently mounted to the frame to isolate the operator from vibration for a more comfortable ride.

Optional Enclosed Cab

Optional sound-suppressed ROPS cab provides a quiet, secure working environment. Large window openings offer excellent visibility in all directions. Enclosed design provides fresh, pressurized, temperature-controlled air circulation with air condition for a more comfortable working environment.

STIC™ Steering and Transmission Integrated Control

STIC provides effortless control of the machine by a single controller. Simple side-to-side motion articulates the machine. Directional shifting (forward/neutral/reverse) is controlled using a three position rocker switch. The thumb operated buttons control gear selection.

Pilot Controls

Low-effort pilot operated joystick controls integrate steering, transmission and implement functions for smoother, faster cycles with less operator fatigue. The added function of a transmission neutralizer over ride switch on the joystick provides the operator the ability to inch toward a truck when loading without having to remove their foot completely from the pedal enabling greater control of the machine.





Loader Bucket Systems

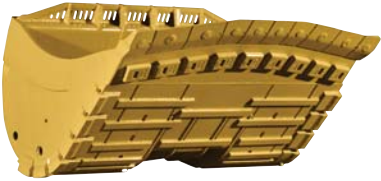
Rugged performance and reliability in tough underground mining applications.



Buckets

Cat LHD buckets deliver unmatched productivity and structural reliability to help lower your cost-per-ton.

Our bucket design is also improved with the use of two types of cast corners to help strengthen the side plate to bucket lip joint as well as allowing for various cutting edges.



Optional Wear Packages

Weld-on wear plates in high wear areas are standard. Additional wear packages, including sacrificial wear strips and Cat heel shrouds protect the edges from damage and reduce the need for costly bucket rebuilds.

Optional Cutting Edges

Cat half arrow and cast half arrow cutting edges extend bucket life in high wear applications.

Available weld-on GET offers more wear material to maximize system wear life and bucket protection. Downtime is also reduced by an even wear rate between corners and edge segments, allowing both to be replaced at the same time.

Cat Mechanically Attached Shrouds (MAS) are also available on the R2900G buckets to provide non weld-on option for hardware selection to better suit application.

The MAS can be further protected with the installation of the Cat Mechanically Attached Wear Plates (MAWPS) to protect the bucket base and cutting edge.

Serviceability

More time for production.

Service Access

Easy access to daily service points simplifies servicing and reduces time spent on regular maintenance procedures.

Ground-Level Access

Allows convenient servicing to all tanks, filters, lubrication points and compartment drains. Electric fuel priming. Engine oil and fuel filters installed on cold side of engine.

Air Filters

Radial seal air filters are easy to change, reducing time required for air filter maintenance.

Sight Gauges

Fluid level checks are made easier with sight gauges.

Diagnostics

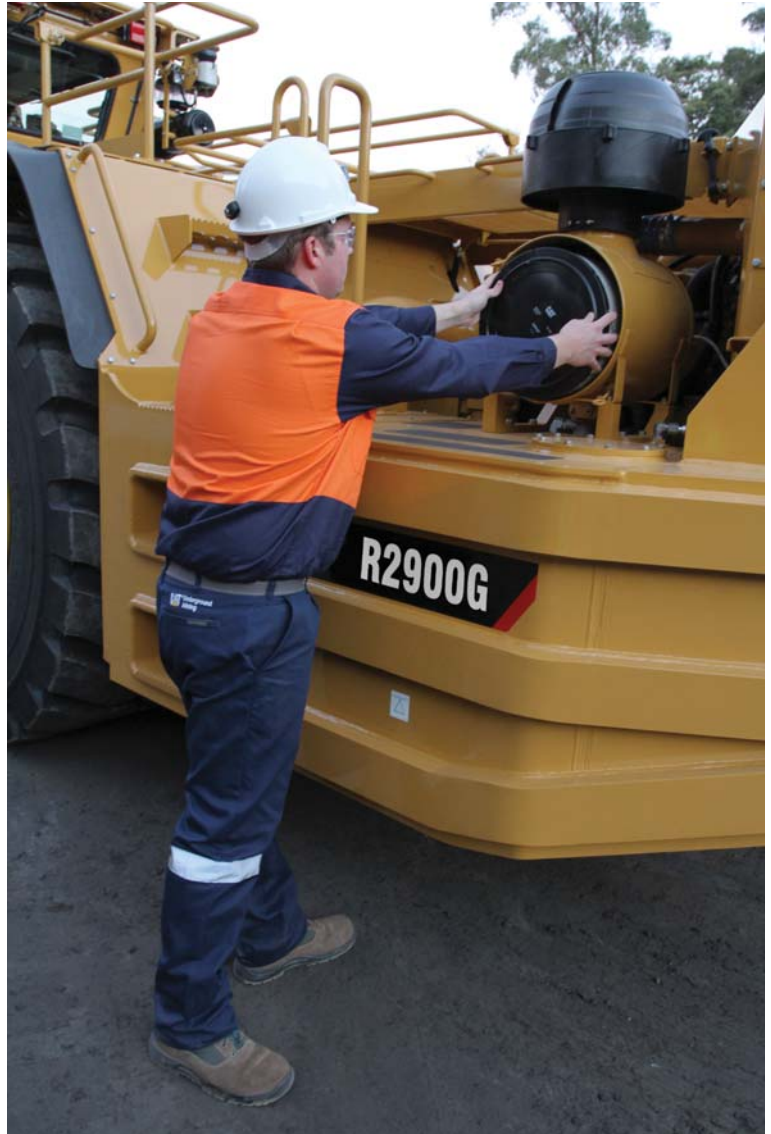
Caterpillar Electronic Technician (Cat ET) service tool enables quick electronic diagnosis of machine performance and key diagnostic data for effective maintenance and repairs.

Sealed Electrical Connectors

Electrical connectors are sealed to lock out dust and moisture. Harnesses are covered for protection. Wires are color and number coded for easy diagnosis and repair.

Scheduled Oil Sampling

S-O-SSM helps avoid minor repairs becoming major ones. Sample point adapters fitted standard to machine.





Customer Support

Cat dealer services keep underground mining equipment productive.

Dealer Capability

Cat dealers will provide the level of support you need, on a global scale. Dealer expert technicians have the knowledge, experience, training and tooling to handle your repair and maintenance needs, when and where you need them.

Product Support

When Cat products reach the field, they are supported 24/7 by a worldwide network of reliable and prompt parts distribution facilities, dealer service centers, and technical training facilities to keep your equipment up and running.

Service Support

Cat equipment is designed and built to provide maximum productivity and operating economy throughout its working life. Cat dealers will be with you every step of the way with its unsurpassed worldwide parts support, trained technicians and customer support agreements.

Technology Products

Cat dealers offer a range of advanced technology products designed to improve efficiency, productivity and lower costs. VIMS™ Gen 3 and Command for Underground options available from factory.

Replacement

Repair or rebuild? Your Cat dealer can help you evaluate the costs so you can make the right choice.

www.cat.com

For more complete information on Cat products, dealer services, and industry solutions, visit us on the web at www.cat.com.

Safety

Cat mining machines and systems are designed with safety as their first priority.

Product Safety

Caterpillar has been and continues to be proactive in developing mining machines that meet or exceed safety standards. Safety is an integral part of all machine and systems designs.

Engine Shut Off Switch

A secondary engine shutoff switch is located at ground level.

Integral ROPS Cab

Integral to the cab and frame, the ROPS is resiliently mounted to the frame to isolate the operator from vibration for a more comfortable ride.

Brake Systems

Four corner oil-cooled braking system provides excellent control. The service brake system is actuated by modulated hydraulic pressure, while the parking brake function is spring applied and hydraulic released. This system assures braking in the event of loss of hydraulic failure.

Standard Safety Features

Anti-skid upper deck surfaces, lower cab light, ground level compartment sight glasses, increased visibility, 3-point access to cab and machine, push out safety glass, suspension seat, inertia reel retractable seat belt, bucket control group safety pins, hot and cold side of engine, articulation lock, hinged belly guards.

SAFETY.CAT.COM™

For more complete information on safety, please visit <http://safety.cat.com>.



R2900G Underground Mining Loader Specifications

Engine

Engine Model	Cat C15 ACERT	
Rated Power	1,800 rpm	
Gross Power – VR Engine – SAE J1995	305 kW	409 hp
Gross Power – Tier 3 Engine – SAE J1995	305 kW	409 hp
Bore	137.2 mm	5.4 in
Stroke	171.5 mm	6.8 in
Displacement	15.2 L	927.9 in ³

- Power ratings apply at a rated speed of 1,800 rpm when tested under the reference conditions for the specified standard.
- Ratings based on SAE J1995 standard air conditions of 25° C (77° F) and 100 kPa (29.61 Hg) barometer. Power based on fuel having API gravity of 35 at 16° C (60° F) and an LHV of 42 780 kJ/kg (18,390 BTU/lb) when engine used at 30° C (86° F).
- No engine derating required up to 591 m (1,938 ft) altitude.
- Optional Ventilation Reduction Package available.
- Optional Tier 3 engine package is compliant with U.S. EPA Tier 3 and EU Stage III emission standards.

Operating Specifications

Gross Machine Mass	70 350 kg	155,095 lb
Static Tipping Load Straight Ahead Lift Arms Horizontal	39 923 kg	88,015 lb
Static Tipping Load Full Turn Lift Arms Horizontal	34 069 kg	75,109 lb
Breakout Force (SAE)	27 346 kg	60,298 lb

Weights

Empty*	50 209 kg	110,692 lb
Front Axle	23 057 kg	50,832 lb
Rear Axle	27 152 kg	59,860 lb
Loaded*	67 409 kg	148,611 lb
Front Axle	50 220 kg	110,716 lb
Rear Axle	17 189 kg	37,895 lb

*Calculated Weight.

Transmission

Forward 1	5.4 km/h	3.4 mph
Forward 2	9.7 km/h	6.0 mph
Forward 3	17.3 km/h	10.7 mph
Forward 4	29.8 km/h	18.5 mph
Reverse 1	6.6 km/h	4.1 mph
Reverse 2	11.8 km/h	7.3 mph
Reverse 3	21.0 km/h	13.0 mph
Reverse 4	35.5 km/h	22.0 mph

Hydraulic Cycle Time

Raise	9.2 Seconds
Dump	3.4 Seconds
Lower, empty, float down	3.1 Seconds
Total Cycle Time	15.7 Seconds

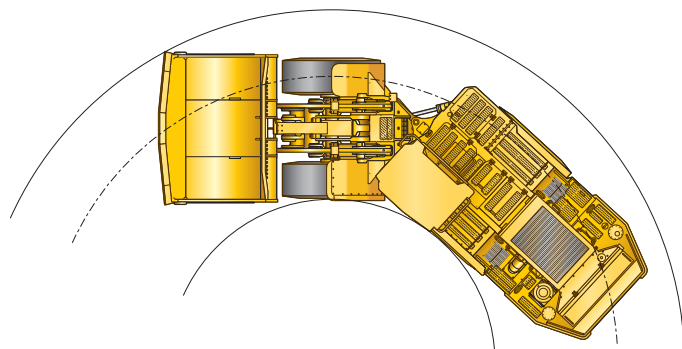
Bucket Capacities

Dump Bucket – 1**	6.3 m ³	8.2 yd ³
Dump Bucket – 2**	7.2 m ³	9.4 yd ³
Dump Bucket – 3**	8.3 m ³	10.9 yd ³
Dump Bucket – 4**	8.9 m ³	11.6 yd ³

**High penetration bucket versions also available.

Turning Dimensions

Outside Clearance Radius	7323 mm	288.3 in
Inner Clearance Radius	3383 mm	133.2 in
Axle Oscillation	8°	
Articulation Angle	42.5°	



R2900G Underground Mining Loader Specifications

Tires

Tire Size	29.5 × 29 34 PLY VSMS	
-----------	-----------------------	--

Service Refill Capacities

Engine Crankcase	34 L	9 gal
Transmission	62 L	16.4 gal
Hydraulic Tank	140 L	37 gal
Cooling System	75 L	19.8 gal
Front Differential and Final Drives	119 L	31.4 gal
Rear Differential and Final Drives	127 L	33.5 gal
Front Differential and Final Drives (with Axle Oil Cooling System)	159 L	42 gal
Rear Differential and Final Drives (with Axle Oil Cooling System)	167 L	44.1 gal
Fuel Tank (Dual)	1425 L	376.4 gal

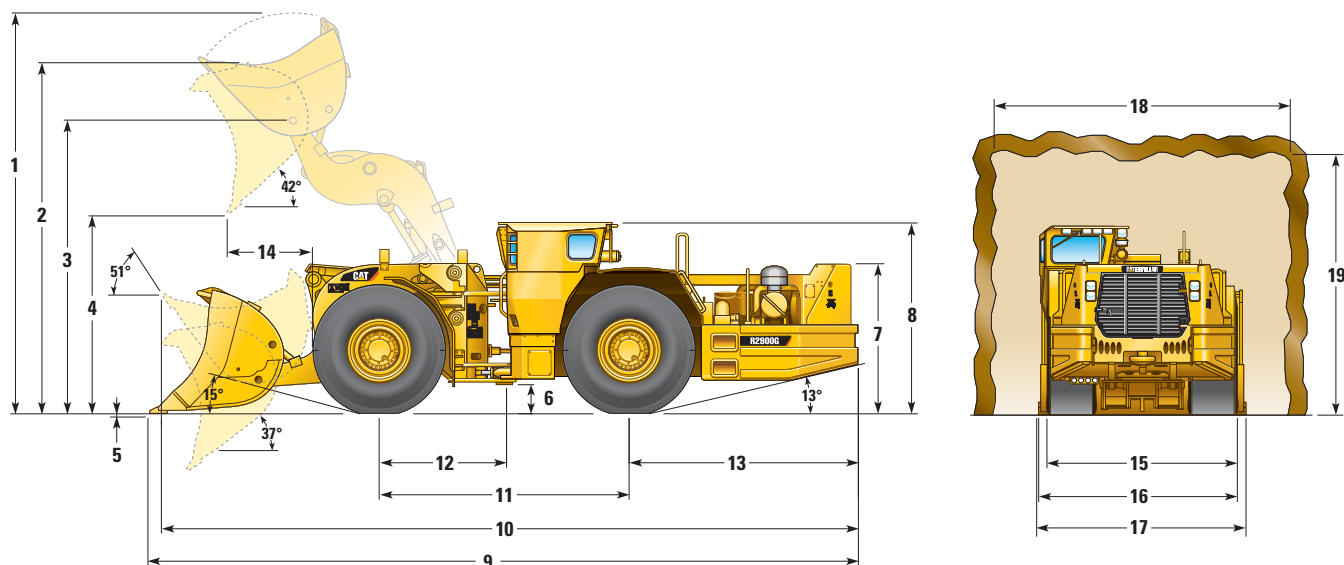
Standards

Brakes	ISO 3450, AS2958.1, CAN-CSA424.30-M90
Cab/FOPS	ISO 3449, SAE J231, AS2294.3, EN13627
Cab/ROPS	ISO 3471, SAE J1040, AS2294.2, EN13510

R2900G Underground Mining Loader Specifications

Dimensions

All dimensions are approximate.



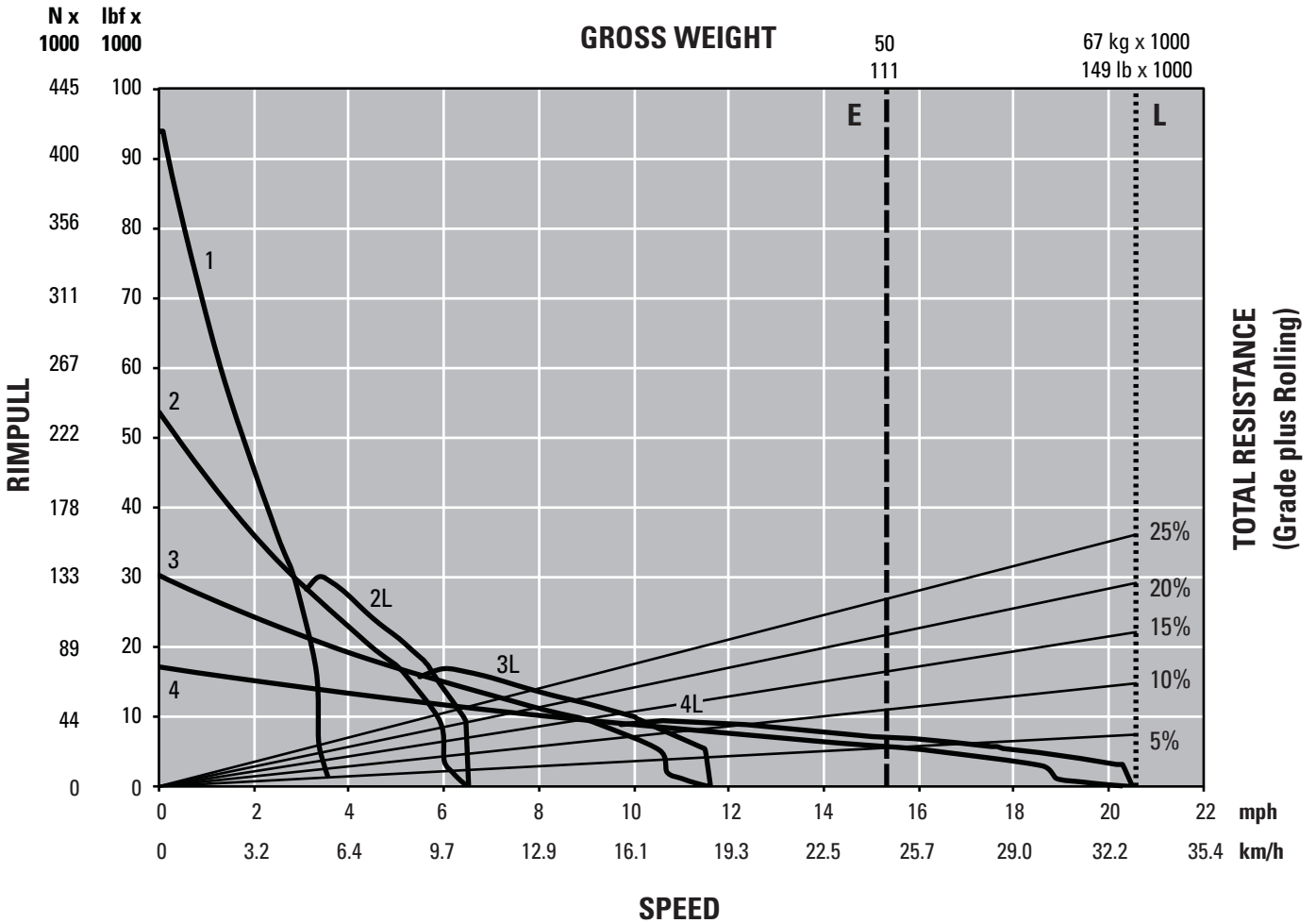
	303 8806		249 4899		249 4892		249 4893	
	Dump Bucket		Dump Bucket		Dump Bucket		Dump Bucket	
Bucket Capacity	6.3 m ³	8.2 yd ³	7.2 m ³	9.4 yd ³	8.3 m ³	10.9 yd ³	8.9 m ³	11.6 yd ³
	mm	in	mm	in	mm	in	mm	in
Bucket Width over Cutting Edge	3054	120.2	3054	120.2	3154	124.2	3354	132.0
1 Height – Bucket Raised	6014	236.8	6179	243.3	6232	245.4	6232	245.4
2 Height – Max Dump	5427	213.7	5427	213.7	5427	213.7	5427	213.7
3 Height – Max Lift Bucket Pin	4539	178.7	4539	178.7	4539	178.7	4539	178.7
4 Height – Dump Clearance at Max Lift	2868	112.9	2868	112.9	2735	107.7	2724	107.2
5 Height – Digging Depth	52	2.0	52	2.0	65	2.6	65	2.6
6 Height – Ground Clearance	465	18.3	465	18.3	465	18.3	465	18.3
7 Height – Top of Hood	2371	93.3	2371	93.3	2371	93.3	2371	93.3
8 Height – Top of ROPS	2886	113.6	2886	113.6	2886	113.6	2886	113.6
9 Length – Overall (Digging)	11 302	445.0	11 302	445.0	11 507	453.0	11 525	453.7
10 Length – Overall (Tramming)	10 949	431.1	10 949	431.1	11 073	435.9	11 083	436.3
11 Length – Wheelbase	3780	148.8	3780	148.8	3780	148.8	3780	148.8
12 Length – Front Axle to Hitch	1890	74.4	1890	74.4	1890	74.4	1890	74.4
13 Length – Rear Axle to Bumper	3572	140.6	3572	140.6	3572	140.6	3572	140.6
14 Length – Reach	1656	65.2	1656	65.2	1803	71.0	1817	71.5
15 Width – Overall Tire	2898	114.1	2898	114.1	2898	114.1	2898	114.1
16 Width – Machine without Bucket	3010	118.5	3010	118.5	3010	118.5	3010	118.5
17 Width – Machine with Bucket	3176	125.0	3176	125.0	3272	128.8	3472	136.7
18 Recommended Clearance Width	4500	177.2	4500	177.2	4500	177.2	4500	177.2
19 Recommended Clearance Height	4500	177.2	4500	177.2	4500	177.2	4500	177.2

R2900G Underground Mining Loader Specifications

Gradeability/Speed/Rimpull

To determine gradeability performance: Read from gross weight down to the percent of total resistance. Total resistance equals actual percent grade plus rolling resistance. As a general guide use 2% for rolling resistance in underground applications or refer to the Caterpillar Performance Handbook. From the total resistance point, read horizontally to the curve with the highest obtainable gear, then down to maximum speed. Usable rimpull will depend upon traction available and weight on drive wheels.

Typical Field Empty Weight
 Loaded Weight



KEY

1 – 1st Gear
 2 – 2nd Gear
 2L – 2nd Gear (Lockup Clutch)
 3 – 3rd Gear
 3L – 3rd Gear (Lockup Clutch)
 4 – 4th Gear
 4L – 4th Gear (Lockup Clutch)

KEY

E – Empty 50 209 kg (110,692 lb)
 L – Loaded 67 409 kg (148,611 lb)

Standard Equipment

Standard equipment may vary. Consult your Cat dealer for details.

ELECTRICAL

- 12V Power Supply in Cab
- Alternator, 95-amp
- Auxiliary Start Receptacle
- Battery Disconnect Switch, Ground Level
- Circuit Breaker, 80-amp
- Corrosive Protection Spray
- Diagnostic Connector
- Electric Starting, 24-volt
- Engine Shutdown Switches
 - Rear Left Hand Side
 - Rear Right Hand Side
- External Lighting System, Front, Rear, Halogen Work Lights
- Low Maintenance Batteries
- Reversing Alarm
- Starting and Charging System

OPERATOR ENVIRONMENT

- Cat Electronic Monitoring System (Cat EMS)
- Electric Horns
- Gauges
 - Engine Coolant Temperature
 - Transmission Coolant Temperature
 - Hydraulic Oil Temperature
 - Fuel Level
 - Speedometer
 - Tachometer
- Indicator Lights
 - Alert Warning Light
 - Residual Brake Pressure
- Low Hydraulic Level Warning
- Open Operator Station ROPS/FOPS Structure
- Operator Presence System (Auto Park Brake)
- Pilot Hydraulic Implement Controls, Single Joystick
- Push Button Panel for Lights
- Suspension Seat with Retractable Seat Belt
- STIC Steering

POWER TRAIN

- Cat C15 ATAAC Diesel Engine, 6-Cylinder
- Brake Axle Cooling
- Electric Fuel Priming Pump
- Engine Air Intake Precleaner
- Engine Oil Filter, Remote Mounted
- Heat Shields
- Long Life Coolant
- Planetary Powershift Transmission with Automatic Shift Control, 4 Speed Forward/4 Speed Reverse
- Radiator, Cross Flow
- Radiator Cap Manual Release
- Rims, 5-Piece, Tubeless
- SAFR™ Full Hydraulic Enclosed Wet Multiple-Disc Brakes
- Torque Converter with Automatic Lockup Clutch
- Transmission Neutralizer With Override Switch
- Transmission Filter Drain Tap

OTHER STANDARD EQUIPMENT

- Brake Light
- Bucket, Dump
- Bucket Lip, Hardox 450 Bucket
- Bucket Positioner, Return To Dig
- Catalytic Exhaust Purifier/Muffler Group
- Decals, International Picto Graphics
- Fuel System
 - Dual Fuel Tanks
 - Fuel System Manual Shut Off Taps
- Engine and Transmission Belly Guards
- Fenders, Front, Rear
- Firewall
- Hand Hold (Access On/Off Top Deck)
- Operator and Maintenance Manual, English
- Protection Wear Bars 100 × 50 mm (4 × 2 in)
- Rims, 5-Piece, Tubeless
- Semi Centralized Lubrication Points
- S-O-S port
 - Coolant
 - Engine Oil
 - Hydraulic Oil
 - Transmission Oil
- Swing Out Radiator Grill
- Tires and Rims: A tire must be selected from the mandatory attachments section of the machine price list. Base machine price includes a standard tubeless rim allowance only.

R2900G Optional Equipment

Optional Equipment

Optional equipment may vary. Consult your Cat dealer for details.

- Battery and Engine Shutdown Switches
 - Ground Level Isolation, In Cab Isolation Switch
 - Ground Level Isolation, Engine Shutdown Switch
 - Ground Level Isolation, In Cab Isolation, Engine Shutdown Switch
- Brake Pressure Gauges
- Brake Release Arrangements,
 - Recovery Hook
 - Recovery Bar
- Buckets
 - Bucket Profile Standard or High Penetration
 - Various Sizes, Dump (6.3 m³/8.2 yd³ to 8.9 m³/11.6 yd³)
 - Bucket Spill Guard
- Bucket, Corners
 - Cast Corner, Shark Ready
 - Cast Corner, (All Other Hardware)
- Bucket Hardware
 - Cutting Edge, Cat Weld-on
 - Cutting Edge, Half Arrow, Flat
 - Heel Shrouds
 - Mechanical Attached Shroud (MAS)
 - Mechanically Attached Wear Plate System, Cutting Edge Protection (MAWPS)
 - Mechanically Attached Wear Plate System, Bottom Protection (MAWPS)
 - Protector Pads (Bottom of Bucket)
 - Wear Bars
 - Wear Liner (7.2 m³/9.4 yd³ and 8.3 m³/10.9 yd³ Buckets)
- Bucket Lip
 - Lip Fully Welded or Tack Welded
 - Lip Bare (No Hardware)
 - MAS Ready (Mechanical Attached Shroud)
- Camera, Color Rear Facing
- Chain Ready Front Fenders (chains not included)
- Cover, Anti Vandalism for Shipping
- Draw Bar Attachment, Bolt-On
- Engine Options
 - Diesel Particulate Filter (for use with VR Engine only)
 - Engine, Ventilation Reduction (VR)
 - Engine, Tier 3
- Lighting
 - External Lighting System, Front, Rear, LED Work Lights
 - High/Low Beam Function
 - Truck Loading Light, Lower Front Frame
- Fast Fill System
 - Coolant
 - Engine Oil
 - Fuel (Dual Tanks)
 - Hydraulic Oil
 - Transmission Oil
- Fire Suppression System
 - Ansul, Dry Powder
 - Foam, Water Based
- Fluids
 - Arctic Coolant
 - Arctic Fuel
- Front Light Protectors
- Fuel System
 - Fuel Lines Double Braided (Stainless Sleaving)
 - Fuel Lines Standard Braided (Double Braid Hydraulic Hose)
- Guard, Rear Side Quarter Window
- Handrails
 - Hand Hold (Access On/Off Top Deck)
 - Fold Down Onto Top Deck
- Hydraulic System
 - Alternate Implement/Pilot Control Configuration
- Lubrication System
 - Automatic
 - Centralized
- Mine Transfer Ready Rear Frame (Tack Welded)
- Operators Station ROPS/FOPS Enclosed
 - Air Conditioning
 - Cab Pressurizer and Filter
 - Duct, Window Demister
 - Dome Light
 - Heater
 - Radio Ready Compartment for Radio and Speakers
 - Strut, Cab Door
- Operator and Maintenance Manual
 - Chinese
 - French
 - Indonesian
 - Portuguese
 - Russian
 - Spanish
- Park Brake Switch Engagement
 - Push to Apply
 - Pull to Apply
- Payload Control System
 - Payload Control System (PCS)
 - Loadrite L2180
- Remote Control Interface (excludes Transmitter and Receiver)
 - RCT
- Reversible Steering
- Reflective Tape
- Ride Control System
- Rim
 - Rim Identification Numbering
 - Spare (Tubeless)
- Seats
 - Seat Covers, Tee, Air and Standard
 - Suspension Seat Tee, Vinyl
 - Suspension Seat Air, Vinyl
- Secondary Steering System
- Service Tools
 - Brake Wear Gauge
 - Collet Jacking Bolts
 - Diagnostics Box
 - Recovery Bar (for use with Brake Release, Recovery Bar System)
 - Socket Extension, Wheel Nut
 - Reference Parts Manual for Additional Tooling Available
- Switches
 - Engine Shutdown, Fire Suppression Activation
 - Idle Timer
 - Engine Shutdown/Idle Timer
- Technology
 - Command for Underground
 - Vital Information Management System (VIMS) Gen 3
 - Electronic Access Module (Required with Automation)
- Tire Arrangements
 - Tire, 29.5 × R29 VSMS 2 Bridgestone
 - Tire, 29.5 × R29 VSDL L5 Bridgestone
 - Tire, 29.5 × R29 XMine D2 Michelin
 - Tire, 29.5 × R29 XSMD2 L5S Michelin
- Wear Protection Bars
 - Cab/ROPS
 - Hydraulic Tank
 - Radiator
- Windows,
 - Single Pane
 - Dual Pane
- NOTE: Not all features are available in all regions. See your Cat dealer for more information.

For more complete information on Cat products, dealer services,
and industry solutions, visit us on the web at www.cat.com

© 2014 Caterpillar
All rights reserved

Materials and specifications are subject to change without notice.
Featured machines in photos may include additional equipment.
See your Cat dealer for available options.

CAT, CATERPILLAR, SAFETY.CAT.COM, their respective logos,
“Caterpillar Yellow” and the “Power Edge” trade dress, as well
as corporate and product identity used herein, are trademarks
of Caterpillar and may not be used without permission.

AEHQ6413-01 (09-2014)
Replaces AEHQ6413

