

239D3/249D3/259D3/ 279D3/289D3/299D3/ 299D3 XE

Compact Track Loaders



Engine	239D3	249D3	259D3	279D3	289D3	299D3	299D3 XE
Gross Power (SAE J1995)	50.1 kW 67.1 hp	50.1 kW 67.1 hp	55.4 kW 74.3 hp	55.4 kW 74.3 hp	55.4 kW 74.3 hp	73 kW 98 hp	82 kW 110 hp
Weights							
Operating Weight	3372 kg 7,434 lb	3552 kg 7,831 lb	4076 kg 8,987 lb	4579 kg 10,095 lb	4848 kg 10,688 lb	5200 kg 11,464 lb	5333 kg 11,756 lb
Operating Specifications							
Rated Operating Capacity at 35% Tipping Load	695 kg 1,530 lb	790 kg 1,740 lb	915 kg 2,010 lb	1010 kg 2,220 lb	1315 kg 2,890 lb	1580 kg 3,480 lb	1620 kg 3,560 lb

**239D3/249D3/259D3/279D3/289D3/
299D3/299D3 XE Features**

Industry Leading Cab

One piece, modular design provides a premium sealed and pressurized cab for a cleaner and quieter operating environment with excellent visibility, wide opening door, and generous leg room.

Superior Power

High performance power train provides maximum performance with features such as Electronic Torque Management system and an electronic hand/foot throttle with decel pedal capability.

Powerful Hydraulics

High flow hydraulic system available for applications that demand maximum hydraulic work tool performance.

Suspended Undercarriage

Standard torsion suspension undercarriage system provides superior traction, flotation and stability to work in a wide range of applications and underfoot conditions.

Labor Saving Features

The industry leading dual direction electronic self level, return-to-dig, and work tool positioner features make repetitive tasks like grading, digging, and loading fast and easy.

Versatility

One machine, many tasks. Do more with the broad range of performance matched Cat® Work Tool Attachments, built to get the most out of your machine.

Contents

Operator Station.....	4
Power Train.....	6
Lift Linkages.....	6
Steel Embedded Rubber Track Undercarriage	7
Performance	7
Attachments.....	8
Serviceability.....	9
Customer Support.....	9
Specifications.....	10
Feature Availability	19

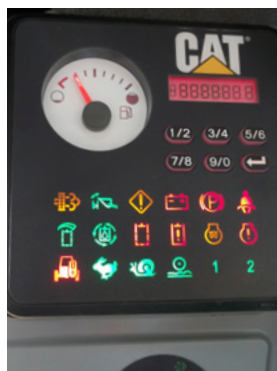
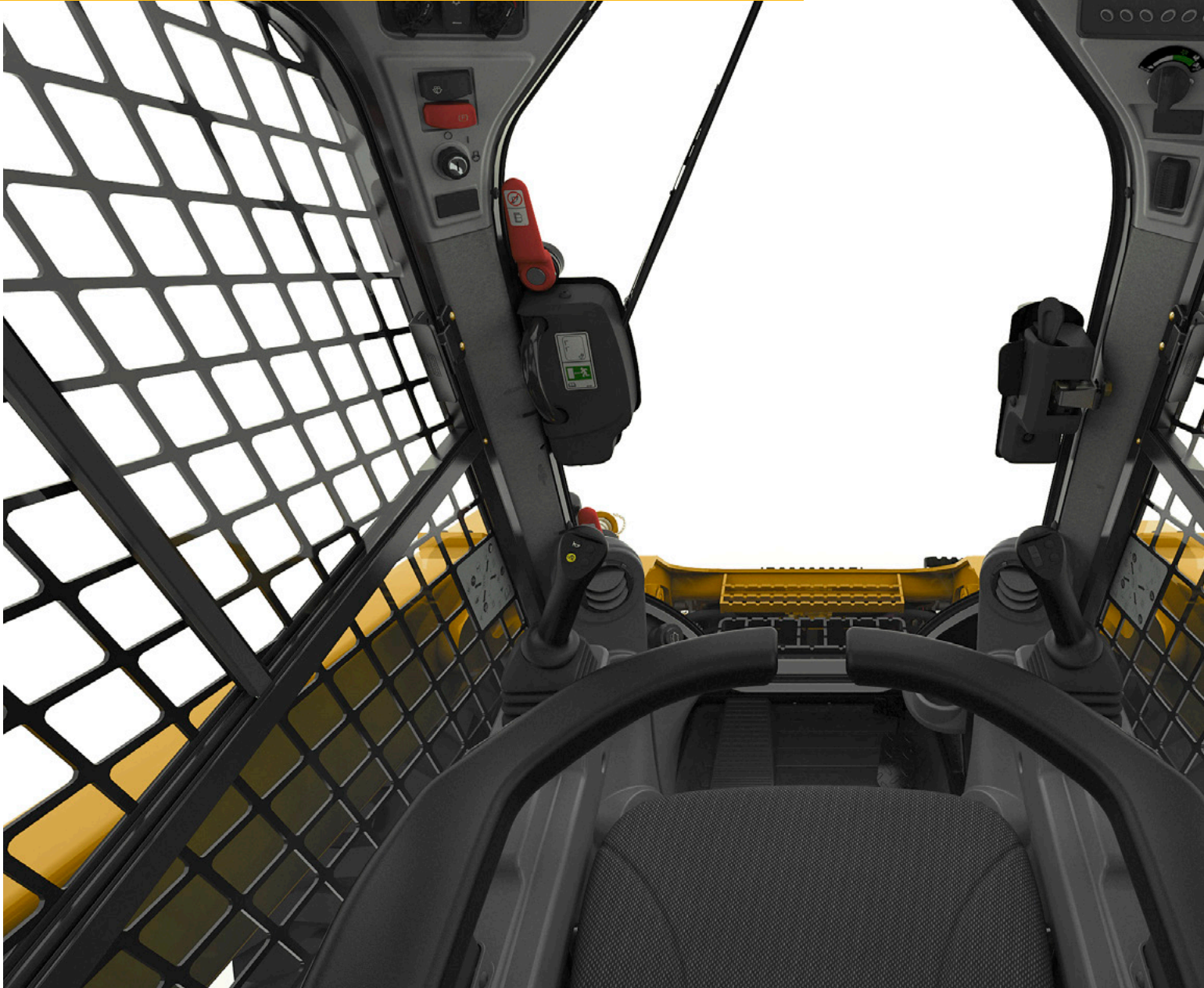




Experience the difference of a Cat Compact Track Loader. Spacious operator station features ergonomic joystick controls, ample leg room and an available high back, heated, air ride seat to keep you comfortable all day long. Built for low ground pressure with outstanding performance, comfort and versatility, the Cat D3 Series Compact Track Loaders help you get more done to improve your bottom line.

Operator Station

Spacious working environment for all day comfort.



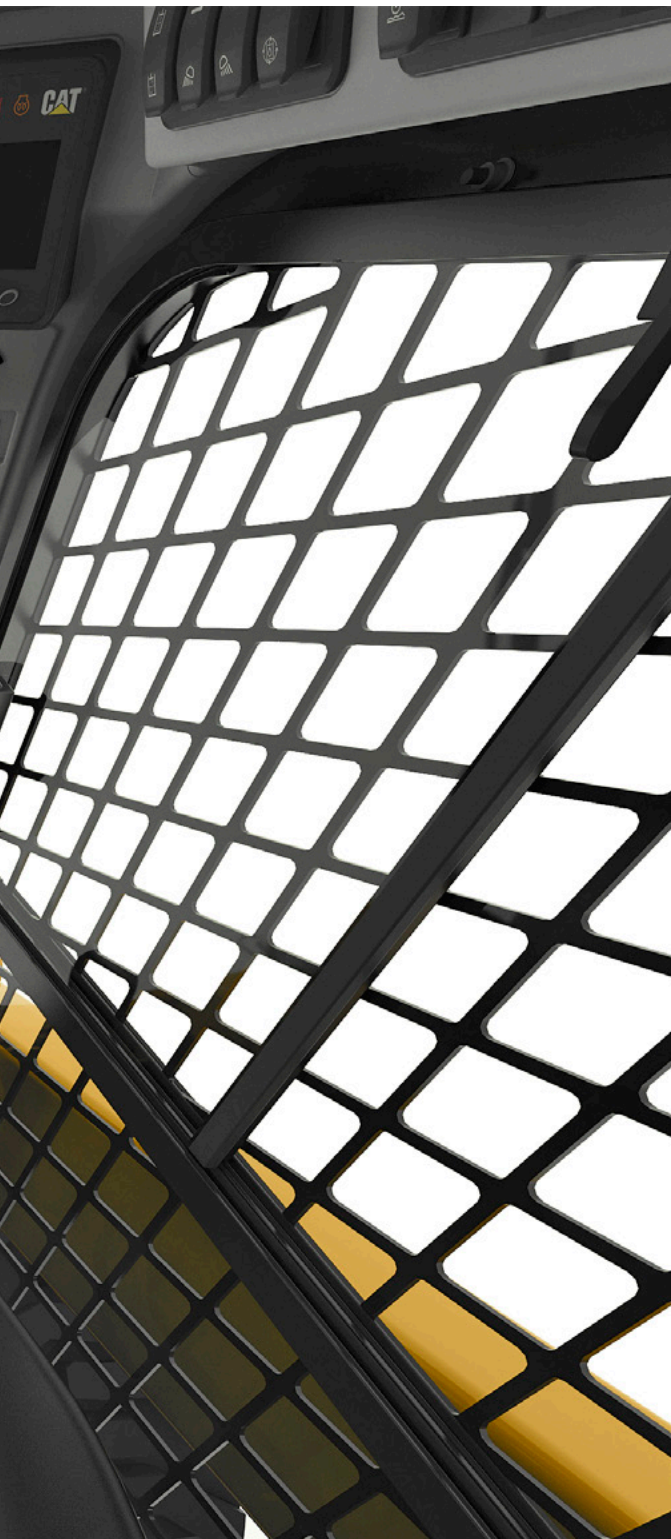
Base Display

The standard control monitor on 239D3 and 249D3 provides single-code security to help prevent theft and unwanted operation. The full color Advanced Display monitor is available as an option on these models and standard on all other Compact Track Loader models.

Best Seat on the Job Site

High back, heated, air ride seat available in both cloth and vinyl.





Superior Comfort

The Cat D3 Series sets a new standard in operator comfort. The wide, spacious interior and uncluttered floor helps you work comfortably and productively all day long. Features include:

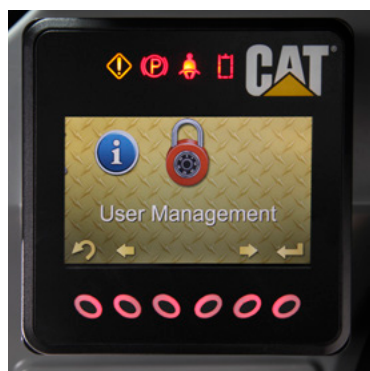
- One piece, modular design provides a premium sealed and pressurized cab for cleaner and quieter working environment
- High back, heated, air ride seat with seat-mounted joystick controls for added comfort (option)
- Clear sight lines provide excellent visibility
- Air conditioner and heater for greater comfort in all climates (option)
- Ample leg room with 75 mm (3 in) of additional room for your knees †
- Easier entry and exit with up to a 40% wider-opening door †
- ISO or H-Pattern Control patterns are available to allow the operator to select the control pattern they are most familiar with for greater productivity

†Compared to previous model series

Advanced Display Monitor

The Advanced Display monitor (standard on most models) lets you customize your machine performance to your needs by offering the ultimate in operator control features and functionality. This easy to read 127 mm (5 in) full color display puts machine information at your fingertips. It provides on screen adjustments to working parameters and preferences such as implement response adjustment, drive response adjustment, creep setting, ride control activation speed, top speed limit setting, language, background color and gauge display style. All parameters can be customized and retained for each individual operator's code. It also provides:

- Security system to prevent unauthorized machine usage
- Capability to program up to 50 operator codes to store and recall each operator's preferences and working parameters, allowing the machine to be tailored to experience level and application
- Integrated rearview camera for enhanced job site visibility
- Provides special information and control screens for Smart Attachments
- Favorites button provides quick access to commonly used screens
- Job Clock helps track costs by monitoring and storing statistics by the job
- Machine maintenance schedule and reminders for optimum uptime





Vertical Lift Linkage



Radial Lift Linkage

Lift Linkages

Choice of lift designs.

Two types of lifting arrangement are available – vertical lift and radial lift – to meet your specific application needs.

Vertical Lift

The 249D3, 259D3, 289D3, 299D3 and 299D3 XE feature the vertical lift design which provides extended reach and lift height for material handling or quick and easy truck loading.

Radial Lift

The 239D3 and 279D3 feature the radial lift design which delivers excellent digging performance and superior mid-lift reach.

Power Train

Aggressive performance.

Cat® Engine

The electronically controlled Cat C2.2, C3.3B, and C3.8 engines provide high horsepower and torque. These rugged, reliable engines meet U.S. EPA Tier 4 Final and EU Stage IV* (C3.8), EU Stage V (C3.3B), and EU Stage IIIB* (C2.2) emission standards.

*Stage IV and Stage IIIB engines comply with the transition provisions of the EU non-road emission regulation.

Cat Intelligent Leveling (ILEV) System

The exclusive Cat Intelligent Leveling System takes machine performance to a new level and provides industry leading features such as:

- Electronic Dual Self Leveling that allows the operator to automatically maintain a level load whether lifting or lowering
- Return-to-dig which allows the operator to pre-set the digging angle of the bucket and then automatically lowers the lift arms and recalls the bucket angle
- Work Tool Positioner which allows the angle of the work tool (bucket, box rake, cold planer, forks, trencher, etc.) to be pre-set and then automatically recalled if the machine is repositioned, increasing productivity
- Electronic snubbing that automatically cushions the descent of the lift arms, slowing the downward motion just before the arms reach their stops

Electronic Throttle

An electronic dial-type throttle lets you set precise RPM setting. When the dial is moved to the high-idle position, the foot throttle functions as a decelerator pedal. This gives you greater control, allowing you to quickly adjust the travel speed during precise maneuvers or to regulate engine speed when using hydro-mechanical work tools.

The throttle-smoothing feature monitors the accelerator pedal's movement under the operator's foot when traveling over rough terrain and adjusts to provide a steadier, more even travel speed.



Steel Embedded Rubber Track Undercarriage

Suspended undercarriage for versatility, comfort and durability.

Torsion Suspension Undercarriage

The Cat Compact Track Loaders feature the industry's only standard, torsion suspension undercarriage with a steel embedded rubber track. Heavy-duty torsion axles suspend the CTL undercarriage and can move independently relative to the machine and each other. These axles absorb most of the shock to the undercarriage, machine and operator, especially over rough terrain. This means smooth travel, even at high speeds, as well as better load retention and greater productivity. The performance-tuned undercarriage system delivers improved operating stability while handling heavy loads, grading, or truck loading. Choose bar or block style tread to optimize ride, traction, flotation and ground disturbance for your application.

Outstanding Durability

The CTL undercarriage system features highly durable and easily maintained components. Steel imbeds provide a rigid support for the entire width of the track and provide excellent durability in a wide variety of applications. Continuously wound cables hold these imbeds in place and provide tensile strength, ensuring the track does not stretch. Following the same philosophy as Cat Track-Type Tractors, the elevated external positive drive system keeps drive components away from ground debris. Planetary final drive motors improve torque and drawbar performance, delivering more power to the ground. Steel rollers with metal face seals provide maximum protection for wheel bearings resulting in long-term durability and reliability in even the toughest conditions. The simple recoil grease tensioning system allows quick track tension adjustment.



Performance

Solutions for a wide range of applications.

High Performance Hydraulic System

Maximum power and reliability are built into the Cat hydraulic system to help you get the job done faster. The hydraulic system features outstanding lift and breakout forces. The standard demand fan provides improved fuel efficiency and increased horsepower.

High Flow Hydraulic Systems

High Flow (239D3/249D3/259D3) and High Flow XPS (279D3/289D3/299D3) hydraulic systems are available for applications that demand maximum work tool performance. The 299D3 XE high flow system features the highest level of hydraulic performance with 94 hydraulic HP (70 kW).

Two Speed (Standard on all CTL models)

Increase your productivity with standard Two Speed on all Compact Track Loader models.

Ride Control

The optional Speed Sensitive Ride Control system delivers a smoother ride on uneven terrain for superior comfort, higher speed operation and better material retention.



Attachments

Do more jobs with one machine using Cat Work Tools.

The Right Tool for the Job

Designed and built for optimum performance and durability, Cat Work Tools deliver high productivity in a variety of applications to maximize versatility:

- Augers
- Blades (angle, dozer)
- Buckets (general purpose, high capacity, dirt, utility, light material, multi purpose, industrial grapple, utility grapple)
- Brooms (angle, pickup, utility)
- Brushcutters
- Cold Planers
- Forks (pallet, industrial grapple, utility grapple, utility)
- Hydraulic Hammers
- Landscape Tillers and Rakes
- Material Handling Arm
- Mulchers
- Power Box Rakes
- Shear
- Snow Tools (snow blowers, pushes, plows, wings)
- Stump Grinders
- Trenchers
- Vibratory Compactors
- Wheel Saws
- Smart Backhoe
- Smart Dozer Blade with Assist
- Smart Grader Blade with Assist

Smart Attachments

Plug-and-play recognition between the machine and attachment adapts the joystick controls to match specific Smart Attachments. Special information and control screens can be accessed in the Advanced Display monitor. This high level of integration maximizes productivity by making complex attachments easy to set up and use from the comfort of the cab.

Quick Couplers

Work tools can be changed quickly and easily with the Cat Compact Track Loader's quick coupler system. The standard quick coupler features manual engagement and disengagement of work tools using two high leverage handles. The optional hydraulic quick coupler allows the operator to quickly change tools without leaving the cab.



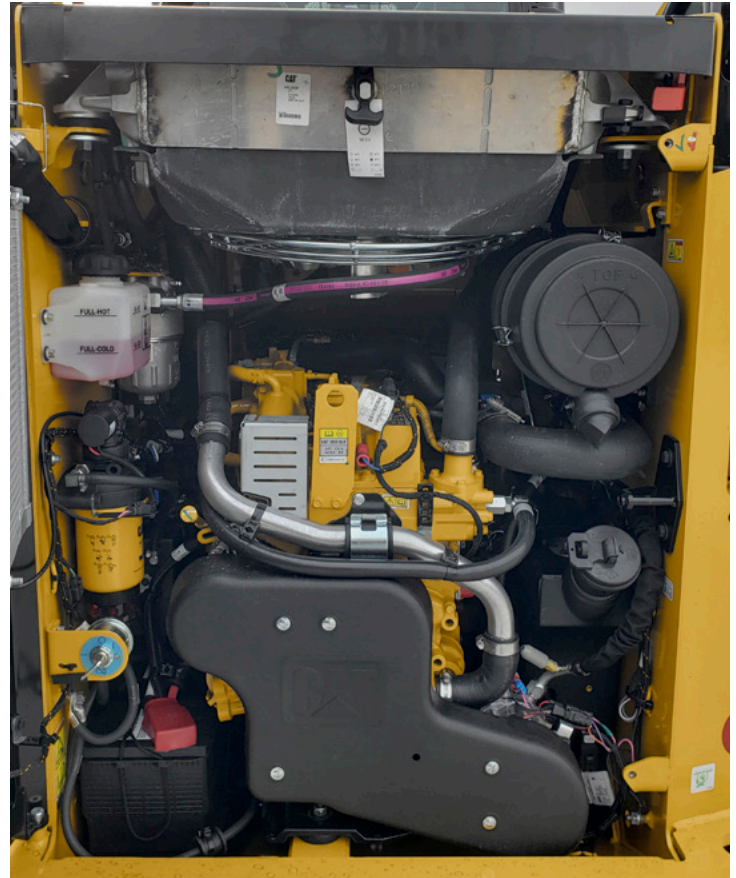
Serviceability

Easy maintenance helps keep your machine working.

Minimize Your Downtime

Convenient service features make maintenance easy, reducing your downtime:

- Easy ground level access to all routine service points
- Wide opening rear door for easy access to both sides of the engine
- Electric priming pump with automatic air bleed for the fuel system eliminates the need to pre-fill filters with fuel, reducing the risk of contaminants
- Cat Product Link™ system provides remote reporting of machine location and operating system parameters



Customer Support

Unmatched support makes the difference.



Renowned Dealer Support

From helping you choose the right machine to knowledgeable ongoing support, Cat dealers provide the best in sales and service.

- Preventive maintenance programs and guaranteed maintenance contracts
- Best-in-class parts availability
- Operator training to help boost your profits
- Genuine Cat Remanufactured parts

239D3/249D3/259D3/279D3/289D3/299D3/299D3 XE

Compact Track Loaders Specifications

Engine		
Engine Model		
239D3/249D3	Cat C2.2 (Turbo)	
259D3/279D3/289D3/ 299D3/299D3 XE	Cat C3.8 DIT (Turbo)	
Gross Power (SAE J1995:2014)		
239D3/249D3	50.1 kW	67.1 hp
259D3	55.4 kW	74.3 hp
279D3/289D3	55.4 kW	74.3 hp
299D3	73 kW	98 hp
299D3 XE	82 kW	110 hp
Net Power (SAE J1349:2011)*		
239D3/249D3	49.1 kW	65.8 hp
259D3	54.6 kW	73.2 hp
279D3/289D3	54.4 kW	72.9 hp
299D3	71 kW	95 hp
299D3 XE	79 kW	106 hp
Net Power (ISO 9249:2007)*		
239D3/249D3	49.6 kW	66.5 hp
259D3	55.1 kW	73.9 hp
279D3/289D3	54.9 kW	73.7 hp
299D3	71 kW	95 hp
299D3 XE	80 kW	107 hp
Displacement		
239D3/249D3	2.2 L	134.3 in ³
259D3/279D3/289D3	3.3 L	203 in ³
299D3/299D3 XE	3.8 L	232 in ³
Stroke		
239D3/249D3	100 mm	3.9 in
259D3/279D3/289D3/ 299D3/299D3 XE	120 mm	4.7 in
Bore		
239D3/249D3	84 mm	3.3 in
259D3/279D3/289D3	94 mm	3.7 in
299D3/299D3 XE	100 mm	3.9 in

*Net power advertised is the power available at the flywheel when the engine is equipped with alternator, air cleaner, muffler/aftertreatment and cooling fan.

Weights*		
Operating Weight		
239D3	3372 kg	7,434 lb
249D3	3552 kg	7,831 lb
259D3	4076 kg	8,987 lb
279D3	4579 kg	10,095 lb
289D3	4848 kg	10,688 lb
299D3	5200 kg	11,464 lb
299D3 XE	5333 kg	11,756 lb

Power Train		
Travel Speed (Forward or Reverse)		
One Speed		
239D3/249D3	7.2 km/h	4.5 mph
259D3	9.5 km/h	5.9 mph
279D3/289D3	7.2 km/h	4.5 mph
299D3/299D3 XE	8.4 km/h	5.2 mph
Two Speed		
239D3/249D3	13.3 km/h	8.3 mph
259D3	13.7 km/h	8.5 mph
279D3/289D3	13.3 km/h	8.3 mph
299D3/299D3 XE	13.5 km/h	8.4 mph

239D3/249D3/259D3/279D3/289D3/299D3/299D3 XE Compact Track Loaders Specifications

Operating Specifications*

Rated Operating Capacity at 35% Tipping Load		
239D3	695 kg	1,530 lb
249D3	790 kg	1,740 lb
259D3	915 kg	2,010 lb
279D3	1010 kg	2,220 lb
289D3	1315 kg	2,890 lb
299D3	1580 kg	3,480 lb
299D3 XE	1620 kg	3,560 lb
Rated Operating Capacity at 50% Tipping Load		
239D3	995 kg	2,185 lb
249D3	1130 kg	2,485 lb
259D3	1305 kg	2,870 lb
279D3	1445 kg	3,170 lb
289D3	1880 kg	4,130 lb
299D3	2255 kg	4,970 lb
299D3 XE	2315 kg	5,085 lb
Rated Operating Capacity with Optional Counterweight (at 50%)		
239D3	1090 kg	2,400 lb
249D3	1225 kg	2,700 lb
259D3	1390 kg	3,060 lb
279D3	1540 kg	3,390 lb
289D3	1985 kg	4,370 lb
299D3	2380 kg	5,240 lb
299D3 XE	2435 kg	5,360 lb
Tipping Load		
239D3	1985 kg	4,370 lb
249D3	2260 kg	4,970 lb
259D3	2610 kg	5,745 lb
279D3	2885 kg	6,345 lb
289D3	3750 kg	8,255 lb
299D3	4520 kg	9,945 lb
299D3 XE	4625 kg	10,170 lb
Breakout Force, Tilt Cylinder		
239D3	1800 kg	3,968 lb
249D3	1797 kg	3,962 lb
259D3	2283 kg	5,034 lb
279D3	3304 kg	7,285 lb
289D3	3307 kg	7,291 lb
299D3	3298 kg	7,270 lb
299D3 XE	3298 kg	7,270 lb

Continued

Operating Specifications* (Continued)

Ground Contact Area		
239D3 (with 320 mm/12.6 in track)	0.89 m ²	1,373 in ²
239D3 (with 400 mm/15.7 in track)	1.11 m ²	1,716 in ²
249D3 (with 320 mm/12.6 in track)	0.89 m ²	1,373 in ²
249D3 (with 400 mm/15.7 in track)	1.11 m ²	1,716 in ²
259D3 (with 320 mm/12.6 in track)	0.96 m ²	1,483 in ²
259D3 (with 400 mm/15.7 in track)	1.19 m ²	1,848 in ²
279D3 (with 450 mm/17.7 in track)	1.47 m ²	2,272 in ²
289D3 (with 450 mm/17.7 in track)	1.47 m ²	2,272 in ²
299D3 (with 400 mm/17.7 in track)	1.40 m ²	2,171 in ²
299D3 (with 450 mm/17.7 in track)	1.58 m ²	2,443 in ²
299D3 XE (with 400 mm/17.7 in track)	1.40 m ²	2,171 in ²
299D3 XE (with 450 mm/17.7 in track)	1.58 m ²	2,443 in ²
Ground Pressure		
239D3 (with 320 mm/12.6 in track)	37.3 kPa	5.4 psi
239D3 (with 400 mm/15.7 in track)	30.6 kPa	4.4 psi
249D3 (with 320 mm/12.6 in track)	39.3 kPa	5.7 psi
249D3 (with 400 mm/15.7 in track)	32.2 kPa	4.7 psi
259D3 (with 320 mm/12.6 in track)	41.8 kPa	6.1 psi
259D3 (with 400 mm/15.7 in track)	34.0 kPa	4.9 psi
279D3 (with 450 mm/17.7 in track)	30.4 kPa	4.4 psi
289D3 (with 450 mm/17.7 in track)	32.2 kPa	4.7 psi
299D3 (with 400 mm/17.7 in track)	36.4 kPa	5.3 psi
299D3 (with 450 mm/17.7 in track)	32.2 kPa	4.7 psi
299D3 XE (with 400 mm/17.7 in track)	37.3 kPa	5.4 psi
299D3 XE (with 450 mm/17.7 in track)	33 kPa	4.8 psi

239D3/249D3/259D3/279D3/289D3/299D3/299D3 XE

Compact Track Loaders Specifications

Hydraulic System – 239D3 and 249D3

Hydraulic Flow – Standard

Loader Hydraulic Pressure	23 000 kPa	3,336 psi
Loader Hydraulic Flow	69 L/min	18 gal/min
Hydraulic Power (calculated)	26.5 kW	35.5 hp

Hydraulic Flow – High Flow

Maximum Loader Hydraulic Pressure	23 000 kPa	3,336 psi
Maximum Loader Hydraulic Flow	99 L/min	26 gal/min
Hydraulic Power (calculated)	38.0 kW	50.9 hp

Hydraulic System – 259D3

Hydraulic Flow – Standard

Loader Hydraulic Pressure	23 000 kPa	3,336 psi
Loader Hydraulic Flow	76 L/min	20 gal/min
Hydraulic Power (calculated)	29 kW	39 hp

Hydraulic Flow – High Flow

Maximum Loader Hydraulic Pressure	23 000 kPa	3,336 psi
Maximum Loader Hydraulic Flow	112 L/min	30 gal/min
Hydraulic Power (calculated)	43 kW	58 hp

Hydraulic System – 279D3 and 289D3

Hydraulic Flow – Standard

Loader Hydraulic Pressure	23 000 kPa	3,336 psi
Loader Hydraulic Flow	86 L/min	23 gal/min
Hydraulic Power (calculated)	33 kW	44 hp

Hydraulic Flow – High Flow XPS

Maximum Loader Hydraulic Pressure	28 000 kPa	4,061 psi
Maximum Loader Hydraulic Flow	121 L/min	32 gal/min
Hydraulic Power (calculated)	57 kW	76 hp

Hydraulic System – 299D3

Hydraulic Flow – Standard

Loader Hydraulic Pressure	23 000 kPa	3,335 psi
Loader Hydraulic Flow	86 L/min	23 gal/min
Hydraulic Power (calculated)	33 kW	44 hp

Hydraulic Flow – High Flow XPS

Maximum Loader Hydraulic Pressure	28 000 kPa	4,061 psi
Maximum Loader Hydraulic Flow	121 L/min	32 gal/min
Hydraulic Power (calculated)	57 kW	76 hp

Hydraulic System – 299D3 XE

Hydraulic Flow – Standard

Loader Hydraulic Pressure	23,000 kPa	3,335 psi
Loader Hydraulic Flow	86 L/min	23 gal/min
Hydraulic Power (calculated)	33 kW	44 hp

Hydraulic Flow – XE

Maximum Loader Hydraulic Pressure	28,000 kPa	4,061 psi
Maximum Loader Hydraulic Flow*	150 L/min	40 gal/min
Hydraulic Power (calculated)	70 kW	94 hp

*When equipped with Cat 400 Series work tools.

239D3/249D3/259D3/279D3/289D3/299D3/299D3 XE Compact Track Loaders Specifications

Noise Level

Inside Cab**

239D3, 249D3, 259D3, 299D3, 299D3 XE 83 dB(A)

279D3, 289D3 81 dB(A)

Outside Cab***

239D3, 249D3, 259D3, 279D3, 289D 103 dB(A)

299D3, 299D3 XE 104 dB(A)

**The declared dynamic operator sound pressure levels per ISO 6396:2008. The measurements were conducted with the cab doors and windows closed and at 70% of the maximum engine cooling fan speed. The sound level may vary at different engine cooling fan speeds.

***The labeled sound power level for the CE marked configurations when measured according to the test procedure and conditions specified in 2000/14/EC.

Cab

ROPS ISO 3471:2008

FOPS ISO 3449:2005 Level I

Air Conditioning System

The air conditioning system on the 239D3, 249D3, 259D3, 299D3 and 299D3 XE contains the fluorinated greenhouse gas refrigerant R134a (Global Warming Potential = 1430). The system contains 0.81 kg of refrigerant which has a CO₂ equivalent of 1.158 metric tonnes.

The air conditioning system on the 279D3 and 289D3 contains the fluorinated greenhouse gas refrigerant R134a (Global Warming Potential = 1430). The system contains 1.0 kg of refrigerant which has a CO₂ equivalent of 1.430 metric tonnes.

Service Refill Capacities

Cooling System

239D3/249D3 12 L 3.2 gal

259D3/279D3/289D3/299D3/299D3 XE 14 L 3.7 gal

299D3/299D3 XE 16 L 4.1 gal

Engine Crankcase

239D3/249D3 10 L 2.6 gal

259D3/279D3/289D3 11 L 3.0 gal

299D3/299D3 XE 13 L 3.5 gal

Fuel Tank

239D3/249D3 57 L 15.1 gal

259D3 94 L 24.8 gal

279D3/289D3 105 L 27.7 gal

299D3/299D3 XE 120 L 31.7 gal

Hydraulic System

239D3/249D3 45 L 11.9 gal

259D3 50 L 13.2 gal

279D3/289D3 52 L 13.7 gal

299D3/299D3 XE 55 L 14.5 gal

Hydraulic Tank

239D3/249D3 34 L 9.0 gal

259D3/279D3/289D3/299D3/299D3 XE 39 L 10.3 gal

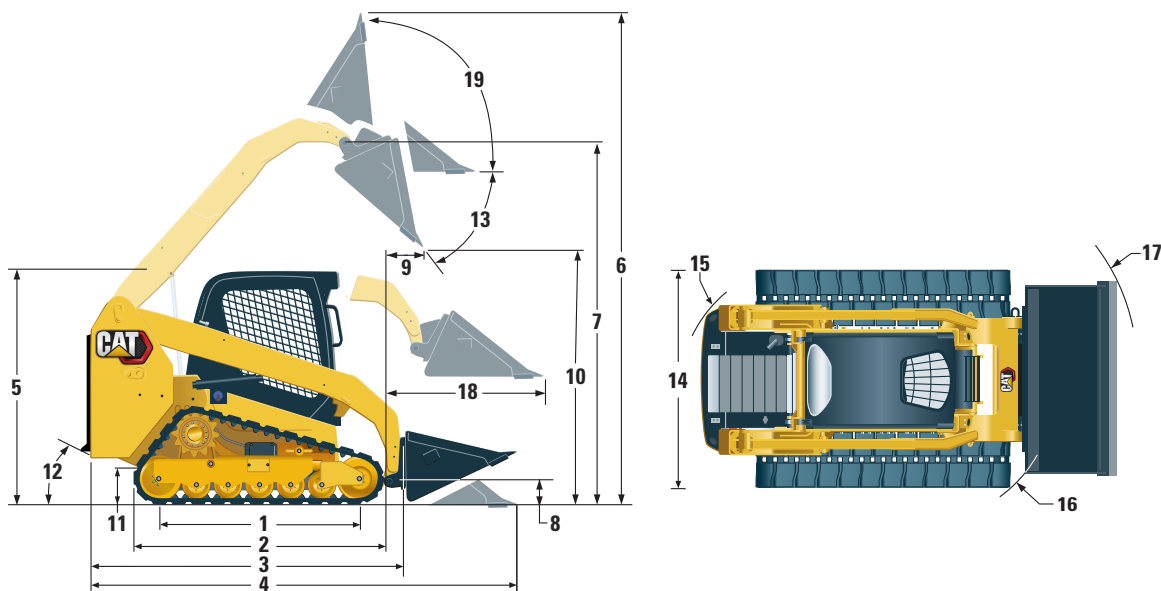
Diesel Exhaust Fluid (DEF) Tank

299D3/299D3 XE 19 L 5.0 gal

239D3 Compact Track Loaders Specifications

Dimensions*

All dimensions are approximate.



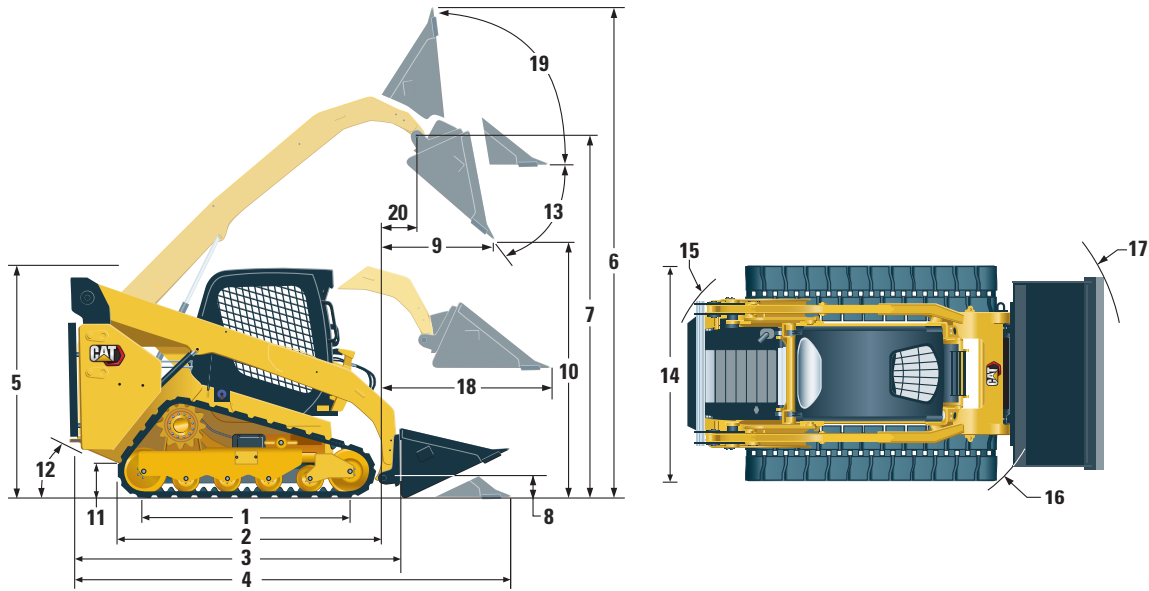
	239D3	
1 Length of Track on Ground	1384 mm	54.5 in
2 Overall Length of Track	1808 mm	71.2 in
3 Length without Bucket	2522 mm	99.3 in
4 Length with Bucket on Ground	3234 mm	127.3 in
5 Height to Top of Cab	2034 mm	80.1 in
6 Maximum Overall Height	3645 mm	143.5 in
7 Bucket Pin Height at Maximum Lift	2825 mm	111.2 in
8 Bucket Pin Height at Carry Position	218 mm	8.6 in
9 Reach at Maximum Lift and Dump	563 mm	22.2 in
10 Clearance at Maximum Lift and Dump	2057 mm	81.0 in
11 Ground Clearance	195 mm	7.7 in
12 Departure Angle		34.5°
13 Maximum Dump Angle		50.3°
14 Vehicle Width (320 mm/12.6 in tracks)	1676 mm	66.0 in
Vehicle Width (400 mm/15.7 in tracks)	1756 mm	69.1 in
15 Turning Radius from Center – Machine Rear	1458 mm	57.4 in
16 Turning Radius from Center – Coupler	1159 mm	45.6 in
17 Turning Radius from Center – Bucket	2069 mm	81.5 in
18 Maximum Reach with Arms Parallel to Ground	1356 mm	53.4 in
19 Rack Back Angle at Maximum Height		85.5°

*Operating Weight, Operating Specifications and Dimensions all based on 75 kg (165 lb) operator, all fluids, 1730 mm (68 in) low profile bucket, 320 mm (12.6 in) tracks, standard flow hydraulics, C0 cab (ROPS, static seat), 850 CCA battery, manual quick coupler, no self level and no optional counterweights (unless otherwise noted).

249D3 Compact Track Loaders Specifications

Dimensions*

All dimensions are approximate.



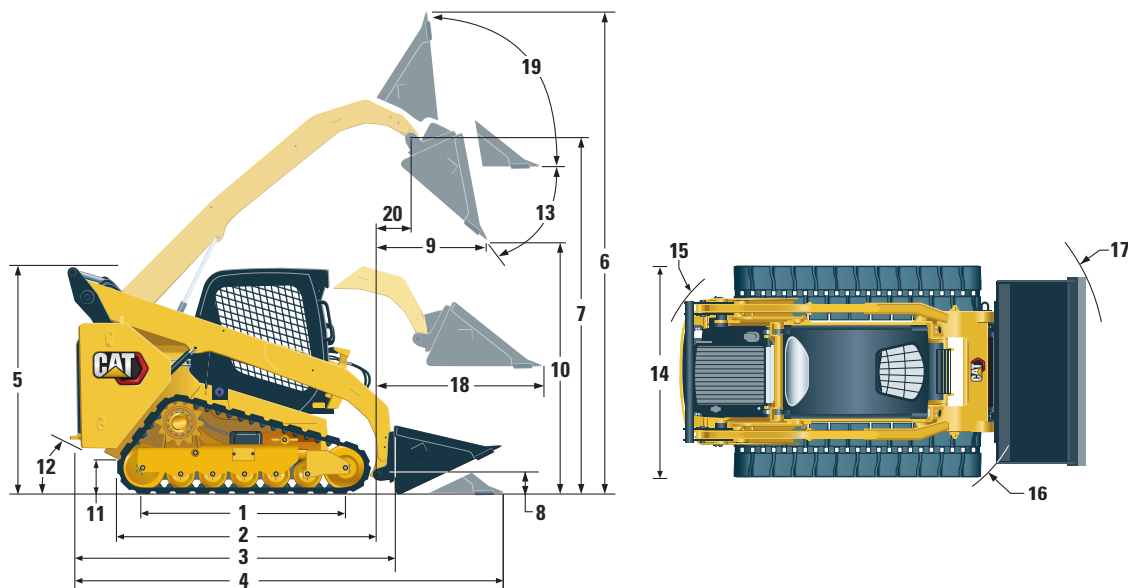
	249D3	
1 Length of Track on Ground	1384 mm	54.5 in
2 Overall Length of Track	1808 mm	71.2 in
3 Length without Bucket	2523 mm	99.3 in
4 Length with Bucket on Ground	3233 mm	127.3 in
5 Height to Top of Cab	2039 mm	80.3 in
6 Maximum Overall Height	3831 mm	150.8 in
7 Bucket Pin Height at Maximum Lift	3002 mm	118.2 in
8 Bucket Pin Height at Carry Position	219 mm	8.6 in
9 Reach at Maximum Lift and Dump	727 mm	28.6 in
10 Clearance at Maximum Lift and Dump	2253 mm	88.7 in
11 Ground Clearance	194 mm	7.6 in
12 Departure Angle		34.5°
13 Maximum Dump Angle		48°
14 Vehicle Width (320 mm/12.6 in tracks)	1676 mm	66.0 in
Vehicle Width (400 mm/15.7 in tracks)	1756 mm	69.1 in
15 Turning Radius from Center – Machine Rear	1458 mm	57.4 in
16 Turning Radius from Center – Coupler	1160 mm	45.7 in
17 Turning Radius from Center – Bucket	2060 mm	81.1 in
18 Maximum Reach with Arms Parallel to Ground	1317 mm	51.8 in
19 Rack Back Angle at Maximum Height		87.5°
20 Bucket Pin Reach at Maximum Lift	311 mm	12.2 in

*Operating Weight, Operating Specifications and Dimensions all based on 75 kg (165 lb) operator, all fluids, 1730 mm (68 in) low profile bucket, 320 mm (12.6 in) tracks, standard flow hydraulics, C0 cab (OROPS, static seat), 850 CCA battery, manual quick coupler, no self level and no optional counterweights (unless otherwise noted).

259D3/289D3 Compact Track Loaders Specifications

Dimensions*

All dimensions are approximate.



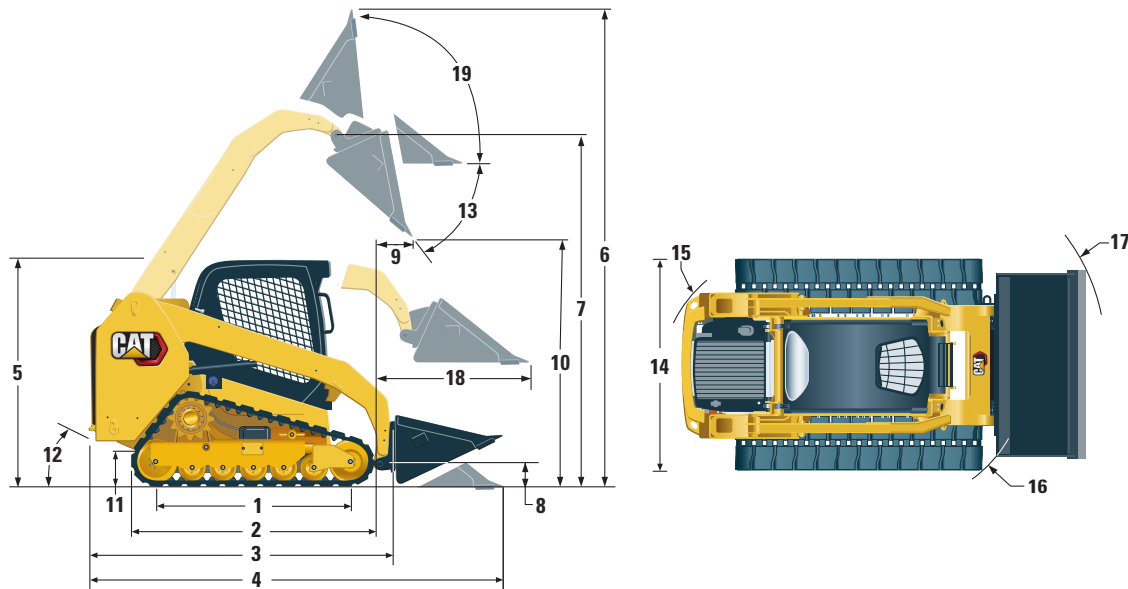
	259D3		289D3	
1 Length of Track on Ground	1499 mm	59.0 in	1630 mm	64.2 in
2 Overall Length of Track	1999 mm	78.7 in	2129 mm	83.8 in
3 Length without Bucket	2767 mm	108.9 in	2995 mm	117.9 in
4 Length with Bucket on Ground	3486 mm	137.3 in	3714 mm	146.2 in
5 Height to Top of Cab	2111 mm	83.1 in	2113 mm	83.2 in
6 Maximum Overall Height	3915 mm	154.1 in	4051 mm	159.5 in
7 Bucket Pin Height at Maximum Lift	3075 mm	121.0 in	3178 mm	125.1 in
8 Bucket Pin Height at Carry Position	198 mm	7.8 in	190 mm	7.5 in
9 Reach at Maximum Lift and Dump	608 mm	23.9 in	761 mm	30.0 in
10 Clearance at Maximum Lift and Dump	2283 mm	89.9 in	2387 mm	94.0 in
11 Ground Clearance	226 mm	8.9 in	226 mm	8.9 in
12 Departure Angle	35°		33°	
13 Maximum Dump Angle	52°		51°	
14 Vehicle Width (320 mm/12.6 in tracks) – 259D only	1676 mm	66.0 in	N/A	
Vehicle Width (400 mm/15.7 in tracks) – 259D/289D	1755 mm	69.0 in	1931 mm	76.0 in
Vehicle Width (450 mm/17.7 in tracks) – 289D only	N/A		1981 mm	78.0 in
15 Turning Radius from Center – Machine Rear	1561 mm	61.5 in	1796 mm	70.7 in
16 Turning Radius from Center – Coupler	1392 mm	54.8 in	1410 mm	55.5 in
17 Turning Radius from Center – Bucket	2184 mm	86.0 in	2256 mm	88.8 in
18 Maximum Reach with Arms Parallel to Ground	1305 mm	51.4 in	1270 mm	50.0 in
19 Rack Back Angle at Maximum Height	87°		84°	
20 Bucket Pin Reach at Maximum Lift	238 mm	9.4 in	369 mm	14.5 in

*Operating Weight, Operating Specifications and Dimensions for the 259D3 and 289D3 all based on 75 kg (165 lb) operator, all fluids, two speed, OROPS, 1730 mm (68 in) low profile bucket for the 259D3 and 80" low profile bucket for the 289D3, 320 mm (12.6 in) tracks for the 259D3 or 450 mm (17.7 in) tracks for the 289D3, dual flange front idler/single flange rear idler, standard flow hydraulics, mechanical suspension seat, no optional counterweights and manual quick coupler (unless otherwise noted).

279D3 Compact Track Loaders Specifications

Dimensions*

All dimensions are approximate.



279D3

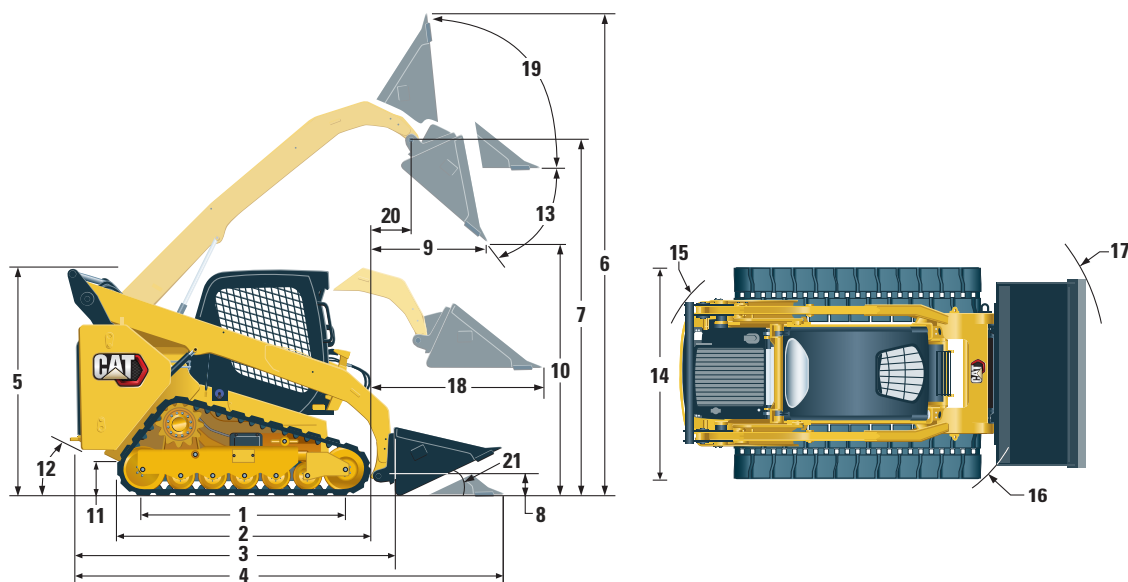
	mm	in
1 Length of Track on Ground	1630 mm	64.2 in
2 Overall Length of Track	2129 mm	83.8 in
3 Length without Bucket	2995 mm	117.9 in
4 Length with Bucket on Ground	3714 mm	146.2 in
5 Height to Top of Cab	2113 mm	83.2 in
6 Maximum Overall Height	4051 mm	159.5 in
7 Bucket Pin Height at Maximum Lift	3173 mm	124.9 in
8 Bucket Pin Height at Carry Position	198 mm	7.8 in
9 Reach at Maximum Lift and Dump	575 mm	22.6 in
10 Clearance at Maximum Lift and Dump	2485 mm	97.8 in
11 Ground Clearance	226 mm	8.9 in
12 Departure Angle		32°
13 Maximum Dump Angle		39°
14 Vehicle Width (400 mm/15.7 in tracks)	1931 mm	76.0 in
Vehicle Width (450 mm/17.7 in tracks)	1981 mm	78.0 in
15 Turning Radius from Center – Machine Rear	1796 mm	70.7 in
16 Turning Radius from Center – Coupler	1410 mm	55.5 in
17 Turning Radius from Center – Bucket	2256 mm	88.8 in
18 Maximum Reach with Arms Parallel to Ground	1373 mm	54.0 in
19 Rack Back Angle at Maximum Height		84°

*Operating Weight, Operating Specifications and Dimensions all based on 75 kg (165 lb) operator, all fluids, two speed, OROPS, 2036 mm (80 in) low profile bucket, 450 mm (17.7 in) tracks, dual flange front idler/single flange rear idler, standard flow hydraulics, mechanical suspension seat, no optional counterweights and manual quick coupler (unless otherwise noted).

299D3/299D3 XE Compact Track Loaders Specifications

Dimensions*

All dimensions are approximate.



	299D3/299D3 XE	
1 Length of Track on Ground	1767 mm	69.6 in
2 Overall Length of Track	2270 mm	89.4 in
3 Length without Bucket	3189 mm	125.5 in
4 Length with Bucket on Ground	3931 mm	154.7 in
5 Height to Top of Cab	2125 mm	83.6 in
6 Maximum Overall Height	4032 mm	158.7 in
7 Bucket Pin Height at Maximum Lift	3208 mm	126.3 in
8 Bucket Pin Height at Carry Position	180 mm	7.1 in
9 Reach at Maximum Lift and Dump	852 mm	33.6 in
10 Clearance at Maximum Lift and Dump	2399 mm	94.5 in
11 Ground Clearance	245 mm	9.6 in
12 Departure Angle		33°
13 Maximum Dump Angle		54°
14 Vehicle Width over Tires (400 mm/15.7 in tracks)	1931 mm	76.0 in
Vehicle Width over Tires (450 mm/17.7 in tracks) – 299D3 XE only	1981 mm	78.0 in
15 Turning Radius from Center – Machine Rear	1881 mm	74.0 in
16 Turning Radius from Center – Coupler	1476 mm	58.1 in
17 Turning Radius from Center – Bucket (racked)	2314 mm	91.1 in
18 Maximum Reach with Arms Parallel to Ground	1319 mm	51.9 in
19 Rack Back Angle at Maximum Height		81°
20 Bucket Pin Reach at Maximum Lift	493 mm	19.4 in
21 Roll Back Angle		25°

*Operating Weight, Operating Specifications and Dimensions all based on 75 kg (165 lb) operator, all fluids, two speed, ride control, enclosed cab with glass door, side windows, air conditioning, air ride seat, advanced display, rearview camera, 850 CCA battery (299D3) and 1,000 CCA battery (299D3 XE), dual direction self level (299D3 XE), 2036 mm (80 in) low profile bucket, 400 mm (15.7 in) tracks, dual flange front idler/singe flange rear idler (299D3) triple flange front/rear idlers (299D3 XE), no optional counterweights and manual quick coupler (unless otherwise noted).

239D3/249D3/259D3/279D3/289D3/299D3/299D3 XE

Feature Availability

Standard

Optional

Not Available

Electrical	239D3	249D3	259D3	279D3	289D3	299D3	299D3 XE
12V Electrical System	●	●	●	●	●	●	●
80 Ampere Alternator	●	●	●	●	●	●	●
Ignition Key Start/Stop Switch	●	●	●	●	●	●	●
Lights: Gauge Backlighting, Two Rear Tail Lights, Two Rear Halogen Working Lights, Two Adjustable Front Halogen Lights, Dome Light	●	●	●	●	●	●	●
Lights: Two Rear LED Working Lights, Two Adjustable Front LED Lights	○	○	○	○	○	○	○
Lights: Rear, with STOP/TAIL/TURN	○	○	○	○	○	○	○
Lights: Rear, with STOP/TAIL/TURN. Front Headlights. Front Mirrors.	○	○	○	○	○	○	○
Backup Alarm	●	●	●	●	●	●	●
Heavy Duty Battery, 850 CCA	●	●	●	●	●	●	●
Heavy Duty Battery, 1000 CCA	○	○	○	○	○	○	○
Top and Rear Windows	●	●	●	●	●	●	●
Floor mat	●	●	●	●	●	●	●
Interior Rearview Mirror	●	●	●	●	●	●	●
12 Volt Electric Socket	●	●	○	○	○	○	○
USB Charging Port (bundled with Advanced Display option only)	○	○	●	●	●	●	●
Horn	●	●	●	●	●	●	●
Hand (Dial) Throttle, Electronic	●	●	●	●	●	●	●
Adjustable Joystick Controls (Selectable at Dealer: ISO or H-Pattern)	●	●	●	●	●	●	●
Adjustable Joystick Controls (Selectable In-Cab: ISO or H-Pattern)	○	○	○	○	○	○	○
Hand and Foot Controls	○	○	○	○	○	○	○
Anti-theft Security System with six-button Keypad	●	●	●	●	●	●	●
Storage Compartment with Netting	●	●	●	●	●	●	●
Engine Block Heater – 120V	○	○	○	○	○	○	○

(continued on next page)

239D3/249D3/259D3/279D3/289D3/299D3/299D3 XE

Feature Availability

 Standard

 Optional

 Not Available

Operator Environment	239D3	249D3	259D3	279D3	289D3	299D3	299D3 XE
Gauges: Fuel Level, Hour Meter	●	●	●	●	●	●	●
Operator Warning System Indicators: Air Filter Restriction, Alternator Output, Armrest Raised/Operator Out of Seat, Engine Coolant Temperature, Engine Oil Pressure, Glow Plug Activation, Hydraulic Filter Restriction, Hydraulic Oil Temperature, Park Brake Engaged, Engine Emission System	●	●	●	●	●	●	●
Adjustable Vinyl Seat	●	●	●	●	●	●	○
Adjustable Vinyl Seat with Suspension	◐	◐	◐	◐	◐	◐	○
Adjustable Vinyl Seat with Air Suspension and Heat	◐	◐	◐	◐	◐	◐	○
Adjustable Cloth Seat with Air Suspension and Heat	◐	◐	◐	◐	◐	◐	●
Fold In Ergonomic Contoured Armrest	●	●	●	●	●	●	●
Seat Belt: High Visibility 2"	●	●	●	●	●	●	●
Seat Belt: High Visibility 3"	◐	◐	◐	◐	◐	◐	◐
Control Interlock System, when operator leaves seat or armrest raised: Hydraulic System Disables, Hydrostatic Transmission Disables, Parking Brake Engages	●	●	●	●	●	●	●
Rops Cab, Open, Tilt Up	●	●	●	●	●	●	●
Fops, Level I	●	●	●	●	●	●	●
Advanced Display: Full Color, 127 mm (5 in) LCD screen, Advanced Multi-operator Security System, On-screen Adjustments for Implement Response, Hystat Response, and Creep Control; Rearview Camera Included	◐	◐	●	●	●	●	●
Radio Ready with Speakers, Wiring, Radio Box, Antenna and Cable, and hardware for installing single DIN radio	◐	◐	◐	◐	◐	◐	◐
Bluetooth Radio with Microphone (AM/FM/Weather Band Receiver with USB and Auxiliary Input Jack)	◐	◐	◐	◐	◐	◐	◐
Powertrain and Performance	239D3	249D3	259D3	279D3	289D3	299D3	299D3 XE
Cat® C2.2, Turbo Diesel Engine, Meeting U.S. EPA Tier 4 Final and EU Stage IIIB Emissions Standards	●	●	○	○	○	○	○
Cat C3.3B, Turbo Diesel Engine, Meeting U.S. EPA Tier 4 Final and EU Stage V Emissions Standards	○	○	●	●	●	○	○
Cat C3.8, Turbo Diesel Engine, Meeting U.S. EPA Tier 4 Final and EU Stage IV Emissions Standards	○	○	○	○	○	●	●
Air Cleaner, Dual Element, Radial Seal	●	●	●	●	●	●	●
S-O-S™ Sampling Valve, Hydraulic Oil	●	●	●	●	●	●	●
Filter, Cartridge-type, Hydraulic	●	●	●	●	●	●	●
Filters, Canister-type Fuel and Water Separator	●	●	●	●	●	●	●
Radiator/Hydraulic Oil Cooler (side-by-side)	●	●	●	●	●	●	●
Spring Applied, Hydraulically Released Parking Brakes	●	●	●	●	●	●	●
Two Speed Travel	●	●	●	●	●	●	●
Hydrostatic Transmission	●	●	●	●	●	●	●

(continued on next page)

239D3/249D3/259D3/279D3/289D3/299D3/299D3 XE

Feature Availability

● **Standard**
◐ **Optional**
○ **Not Available**

Other	239D3	249D3	259D3	279D3	289D3	299D3	299D3 XE
Engine Enclosure, Lockable	●	●	●	●	●	●	●
Extended Life Antifreeze, -36° C (-33° F)	●	●	●	●	●	●	●
Cat HYDO™ Advance Hydraulic Oil, -20° C (-4° F) Min	●	●	●	●	●	●	●
Cat Cold Operation Hydraulic Oil, -40° C (-40° F) Min	◐	◐	◐	◐	◐	◐	◐
Machine Tie Down Points (6)	●	●	●	●	●	●	●
Support, Lift Arm	●	●	●	●	●	●	●
Hydraulic Oil Level Sight Gauge	●	●	●	●	●	●	●
Radiator Coolant Level Sight Gauge	●	●	●	●	●	●	●
Radiator, Expansion Bottle	●	●	●	●	●	●	●
Cat ToughGuard™ Hose	●	●	●	●	●	●	●
Auxiliary, Hydraulics, Continuous Flow	●	●	●	●	●	●	●
Heavy Duty, Flat Faced Quick Disconnects with Integrated Pressure Release	●	●	●	●	●	●	●
Split D-Ring to Route Work Tool Hoses Along Side of Left Lift Arm	●	●	●	●	●	●	●
Worktool Quick Coupler: Manual	●	●	●	●	●	●	●
Worktool Quick Coupler: Hydraulic	◐	◐	◐	◐	◐	◐	◐
Electrical Outlet, Beacon	●	●	●	●	●	●	●
Beacon, Rotating	◐	◐	◐	◐	◐	◐	◐
Belly Pan Cleanout	●	●	●	●	●	●	●
Variable Speed Demand Fan	●	●	●	●	●	●	●
Variable Speed Demand Fan: Reversing	○	○	◐	◐	◐	◐	◐
Product Link PL243, Cellular	●	●	●	●	●	●	●
Product Link PL641, Cellular	◐	◐	◐	◐	◐	◐	◐
Paint, Custom	◐	◐	◐	◐	◐	◐	◐
Speed Sensitive Ride Control	◐	◐	◐	◐	◐	◐	◐
Work Tool Return to Dig and Work Tool Positioner	◐	◐	◐	◐	◐	◐	◐

For more complete information on Cat products, dealer services, and industry solutions, visit us on the web at www.cat.com

© 2020 Caterpillar
All rights reserved

Materials and specifications are subject to change without notice. Featured machines in photos may include additional equipment. See your Cat dealer for available options.

CAT, CATERPILLAR, LET'S DO THE WORK, their respective logos, "Caterpillar Corporate Yellow," the "Power Edge" and Cat "Modern Hex" trade dress as well as corporate and product identity used herein, are trademarks of Caterpillar and may not be used without permission.

AEHQ8269-01 (08-2020)
Replaces AEHQ8269
(Am North, EU, APD,
ANZP, HRC)

