

C18 ACERT™

MARINE GENERATOR SET PACKAGE

395 ekW 465 bkW 1800 rpm
530 ekW 599 bkW 1800 rpm

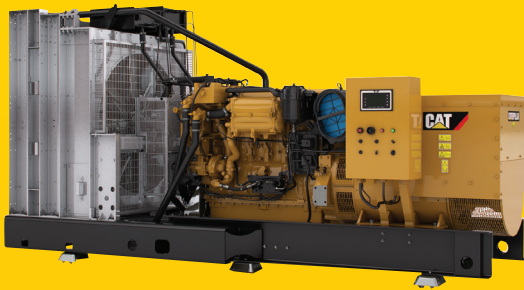


Image shown may not reflect actual engine

SPECIFICATIONS

I-6, 4-Stroke-Cycle-Diesel

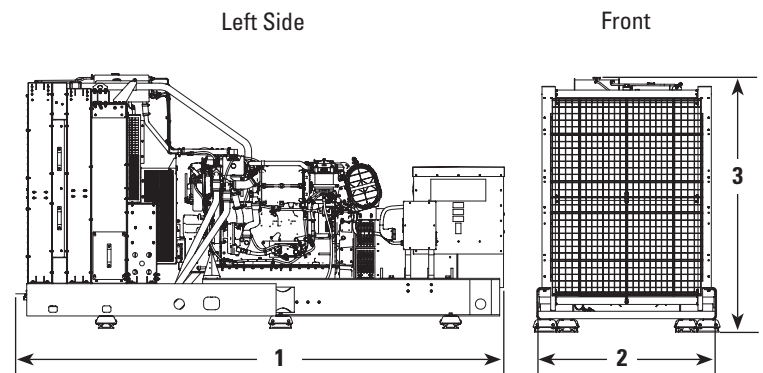
- U.S. EPA Tier 3/IMO II certified
- 18.0 L (1098 cu in) displacement
- 145 mm (5.7 in) bore x 183 mm (7.2 in) stroke
- Turbocharged and aftercooled aspiration
- Electronically governed
- Radiator cooled
- Cooling system refill capacity
 - Jacket water: 123 L (32.5 gal)
 - Aftercooler: 83 L (21.9 gal)
- Lube system refill capacity
 - Deep pan: 68 L (18 gal)
- 500-hour oil change interval deep pan
- Cat® Diesel Engine Oil 10W30 or 15W40
- SAE No. 0 flywheel housing with SAE No. 18 flywheel (136 teeth)
- Counterclockwise rotation from flywheel end



STANDARD ENGINE EQUIPMENT

- Separate circuit aftercooler (SCAC)
- Heavy-duty inlet air filter
- SCAC and JW shunt tanks
- SCAC and jacket water pumps
- Watercooled exhaust manifold and turbocharger
- Round flanged exhaust outlet
- Center sump oil pan, deep
- Oil filler, filter, and dipstick, front service
- MEUI™ fuel system
- Fuel filter, front service
- Fuel transfer and priming pumps
- Hybrid fuel lines
- Electronic fuel/air ratio control
- Formed C-channel rails
- Vibration isolators
- SRMP permanent magnet 12-lead generator
- Digital voltage regulator
- Class H insulation, Class F temperature rise, IP23 protection

DIMENSIONS



ENGINE DIMENSIONS & WEIGHT

(1) Length	4741 mm	186.6 in
(2) Width	1699 mm	66.9 in
(3) Height	2408 mm	94.8 in
Weight, Net Dry (approx)	6076 kg	13,396 lb

Note: Do not use these dimensions for installation design. See general dimension drawings for detail.

MARINE ENGINE PERFORMANCE

60 Hz

U.S. EPA Tier 3 & IMO II – EM1464-00

U.S. EPA Tier 3 & IMO II – EM1465-00

% Load	U.S. EPA Tier 3 & IMO II – EM1464-00					U.S. EPA Tier 3 & IMO II – EM1465-00				
	ekW*	bhp	g/hr	bkW	g/bkW-hr	ekW*	bhp	g/hr	bkW	g/bkW-hr
100	395	624	32.2	465	220.2	530	803	40.4	599	214.0
75	296	468	24.5	349	223.3	398	603	30.1	449	212.4
50	198	312	17.5	232	238.9	265	402	21.3	300	226.0
25	99	156	10.3	116	281.9	133	201	12.3	150	260.1
10	40	62	5.3	47	359.6	53	80	6.4	60	337.6

*ekW ratings are with fan

OPTIONAL ATTACHMENTS

- Cat alarm and protection system
- EMCP 4.2 control panel
- MGCP III B control panel
- Generator protection – IP44
- Generator service side – LH, RH
- Generator terminal box extension
- Load sharing module (option for type approved module)
- Exhaust elbows, dry or watercooled
- Exhaust flange and flexible fitting
- Mufflers (option for spark arresting)
- Air inlet adapter
- Fumes disposal (closed system)
- Battery charger 10 amp
- Battery sets – 24V 950-1300 CCA
- Charging alternator 24V 105 amp
- Duplex fuel filter – front service
- Fuel cooler
- Primary fuel/water separator
- Spare pump kits
- Duplex oil filter – front service
- Manual sump pump
- Power take-offs
- Starting motors – electric and/or air
- Jacket water heaters

CAT, CATERPILLAR, their respective logos, ACERT, MEUI, “Caterpillar Yellow”, the “Power Edge” trade dress as well as corporate and product identity used herein, are trademarks of Caterpillar and may not be used without permission.