

C32 ACERT™

MARINE GENERATOR SET PACKAGE

730 ekW 781 bkW 1800 rpm
940 ekW 994 bkW 1800 rpm

Image shown may not
reflect actual engine



SPECIFICATIONS

Vee-12, 4-Stroke-Cycle-Diesel

- IMO II or EPA Tier 3/IMO II compliant
- 32.1 L (1959 cu in) displacement
- 1800 rpm rated engine speed
- 145 mm (5.7 in) bore x 162 mm (6.38 in) stroke
- Turbocharged and aftercooled aspiration
- Electronically governed
- Refill capacity*
 - Cooling system:
 - Jacket Water 128 L (33.75 gal)
 - SCAC 26.5 L (7 gal)
 - Lube oil system: 138 L (36.5 gal)
- 750-hour oil change interval*
- Caterpillar Diesel Engine Oil 10W30 or 15W40
- SAE No. 0 flywheel and flywheel housing, 136 flywheel teeth
- Counterclockwise rotation from flywheel end

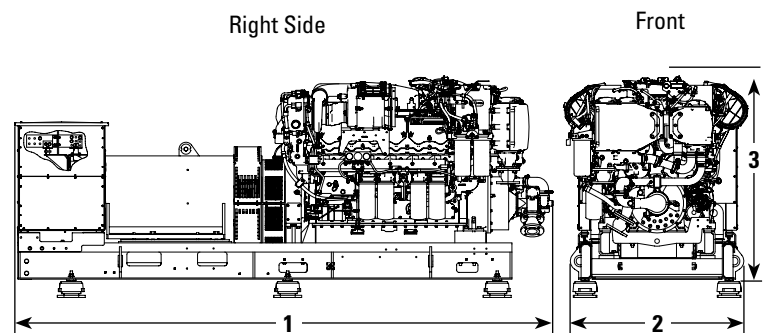
*Generator Set Operation & Maintenance Manual is the safe source for this information.



STANDARD ENGINE EQUIPMENT

- Separate circuit aftercooler (SCAC)
- Heat exchanger or keel cooling
- Sea water pump (heat exchanger only)
- Jacket water and SCAC pumps
- Watercooled exhaust manifold and turbocharger
- Round flanged exhaust outlet
- Deep sump oil pan
- Oil filler, filter, and dipstick, RH service
- MEUI fuel system
- Duplex fuel filters, RH service
- Fuel transfer and priming pumps
- Hybrid fuel lines
- Fuel Cooler
- Formed C-channel rails
- Helical spring/rubber isolators

DIMENSIONS



PACKAGE DIMENSIONS & WEIGHT

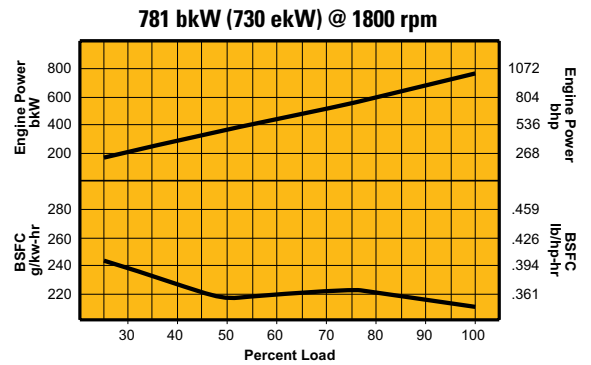
(1) Length (overall – heat exchanger)	4452.3 mm	175.3 in
Length (overall – keel cooled)	4274.6 mm	168.3 in
Length (flywheel housing – heat exchanger)	2196.2 mm	86.5 in
Length (flywheel housing – keel cooled)	2018.8 mm	79.5 in
(2) Width	1528.3 mm	60.2 in
(3) Height	1038.4 mm	40.9 in
Weight, Net Dry	6773-7373 kg	14,932-16,255 lb

Note: Do not use these dimensions for installation design. See general dimension drawings for detail.

MARINE ENGINE PERFORMANCE

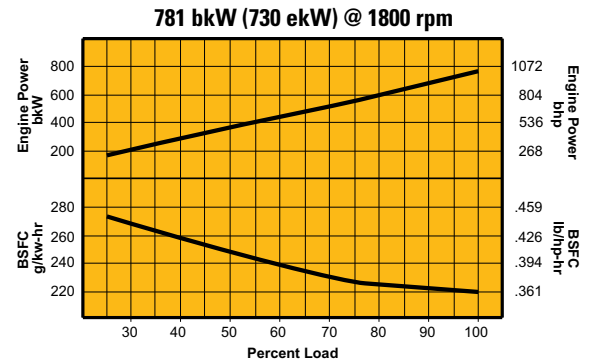
Prime Rating – EM0414-00 (IMO II)

% Load	ekW	bhp	g/hr	bkW	g/bkW-hr
100	730	1047	51.8	781	210.4
75	548	786	41.0	586	222.3
50	365	524	26.9	390	218.4
25	183	262	14.9	195	242.2



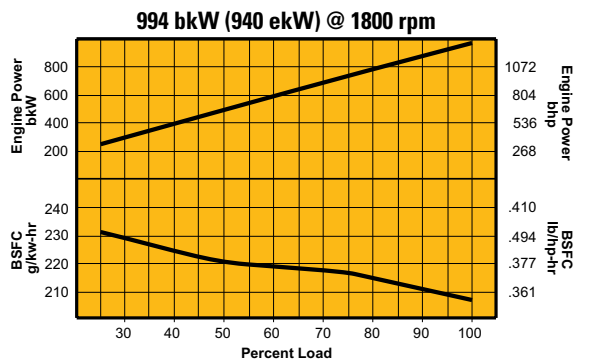
Prime Rating – DM8895-00 (EPA Tier 3)

% Load	ekW	bhp	g/hr	bkW	g/bkW-hr
100	730	1047	54.1	781	220.1
75	548	786	41.7	586	226.1
50	365	524	30.2	390	246.0
25	183	262	16.8	195	273.1



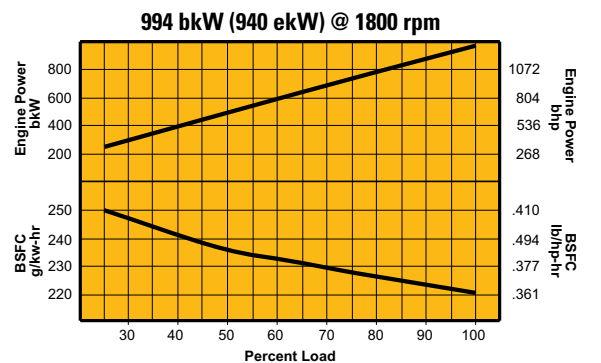
Prime Rating – EM0415-00 (IMO II)

% Load	ekW	bhp	g/hr	bkW	g/bkW-hr
100	940	1333	64.9	994	207.2
75	705	1000	50.8	746	216.3
50	470	666	34.4	497	220.1
25	235	333	18.2	248	232.2



Prime Rating – DM8896-00 (EPA Tier 3)

% Load	ekW	bhp	g/hr	bkW	g/bkW-hr
100	940	1333	69.1	994	220.7
75	705	1000	53.3	746	227.3
50	470	666	36.9	497	235.8
25	235	333	19.6	248	250.2



CAT, CATERPILLAR, their respective logos, "Caterpillar Yellow" and the "Power Edge" trade dress, as well as corporate and product identity used herein, are trademarks of Caterpillar and may not be used without permission.