

C4.4 ACERT™

MARINE GENERATOR SET

65, 80, 99 ekW (81, 100, 124 kVA) 50 Hz
60, 75, 99, 118 ekW (75, 94, 124, 148 kVA) 60 Hz



Image shown
may not reflect
actual engine

SPECIFICATIONS

I-4, 4-Stroke-Cycle-Diesel

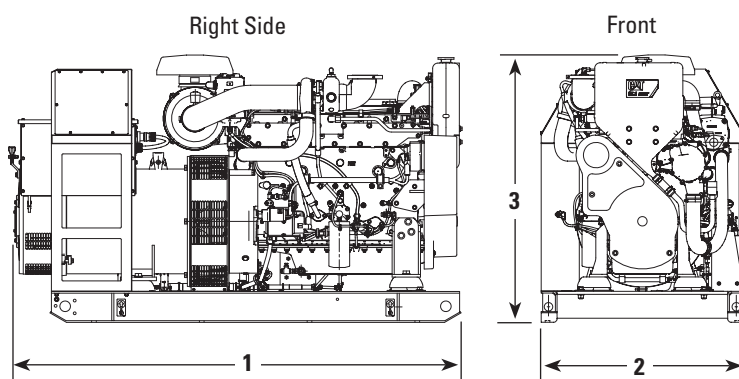
- EPA Tier 3 / CCNR Stage 2
- 4.4 liter displacement
- 50 Hz 1500 rpm/60 Hz 1800 rpm rated engine speed
- 105 mm (4.13 in) bore x 127 mm (5.0 in) stroke
- Turbocharged-aftercooled aspiration
- Electronically governed
- Heat exchanger or keel cooled
- Refill capacity
 - Cooling system: 21 L (5.4 U.S. gal) — hex cooled
 - Lube oil system: 11 L (2.8 gal)
- Counterclockwise rotation from flywheel end
- 500-hour oil change interval
- SAE No. 3 flywheel and flywheel housing (126 teeth)



STANDARD ENGINE EQUIPMENT

- Common Rail fuel system, primary and secondary fuel filters
- Engine mounted air cleaner and expansion tank
- Gear-driven jacket-water and auxiliary water pumps
- Watercooled exhaust manifold and turbocharger
- Integral plate-type oil cooler
- 12V or 24V starter motor
- Isolated sump
- Integrated base frame
- Anti-vibration engine mounts
- Safety shutdowns for low oil pressure, high water temperature, and overspeed
- Glowplugs aid starting in cold weather
- 3-phase AREP generators with 300% short circuit capability
- Automatic Voltage Regulator (AVR)
- EMCP4.2 control panel with remote monitoring capability

DIMENSIONS



ENGINE DIMENSIONS & WEIGHT

(1) Length	1699-1769 mm	66.9-69.6 in
(2) Width	956 mm	37.6 in
(3) Height	1245 mm	49.0 in
Weight, Net Dry (Hex)	1142-1290 kg	2518-2844 lb

Note: Do not use these dimensions for installation design. See general dimension drawings for detail.

MARINE ENGINE PERFORMANCE

50 Hz

% Load	EM5152		EM5151		EM5150	
	ekW	g/bkW-hr	ekW	g/bkW-hr	ekW	g/bkW-hr
100	99	218	80	228	65	237
75	74	231	60	241	49	241
50	50	239	40	249	33	237
25	25	261	20	266	16	282

60 Hz

% Load	EM5156		EM5155		EM5154		EM5153	
	ekW	g/bkW-hr	ekW	g/bkW-hr	ekW	g/bkW-hr	ekW	g/bkW-hr
100	118	205	99	220	75	231	60	242
75	89	218	74	231	56	248	45	253
50	56	237	50	247	38	265	30	267
25	30	271	25	271	19	299	15	317

OPTIONAL ATTACHMENTS

- Control System**
 Governor droop kit (selecting this kit enables paralleling with appropriate customer-supplied switchgear)
- Generators & Generator Attachments**
 Space heater kit, installed — 120V AC, 240V AC
- Fuel System**
 Double wall fuel lines with enclosed common rail and mounted alarm reservoir, duplex fuel filters
- Lube System**
 Duplex oil filters
- Starting System**
 Additional 12V or 24V electric starter, air starter, jacket water heater options, charging alternator
- Marine Classification Society (MCS) Approval – Pending**
 ABS, BV, DNV, LR, GL, RINA, CCS, NK
- General**
 PGS Test Report, extra literature, storage preservation, export packing: single engine shipment to U.S., 20-foot container engine shipments, 40-foot container engine shipments, seawater pressure sensor, exhaust elbow and bellows, exhaust gas temperature sensor

CATERPILLAR GENERATOR

Insulation	Class H
Temperature Rise	
@ 40°C Ambient (110%)	Class H (150°K)
@ 50°C Ambient (110%)	Class H (140°K)
Winding Pitch Code	2/3
Terminals	12-lead reconnectable
Ingress Protection Rating	IP 23

Air Flow 60 Hz	0.32 m³/s (678 cfm)
Excitation System	AREP
Voltage Regulation (steady state)	±0.5%
Total Harmonic Content LL/LN	<4%
Wave Form: NEMA=TIF	<5%
Wave Form: I.E.C.=THF	<2%
Standard Voltages	≤690V

CAT, CATERPILLAR, their respective logos, "Caterpillar Yellow" and the "Power Edge" trade dress, as well as corporate and product identity used herein, are trademarks of Caterpillar and may not be used without permission.