



Cat® CP56B

PADFOOT DRUM VIBRATORY SOIL COMPACTOR

FEATURES:

The Cat® CP56B features a padfoot drum and is ideally suited for cohesive and semi-cohesive soil applications:

- **Comfortable and ergonomic operator station** features pivoting seat with integrated multifunction LCD display and control console, outstanding visibility to the front and rear of machine, low sound levels and vibration for greater operator comfort and productivity.
- **World-class propel system** built around the exclusive Cat dual pump propel system, two pumps provide separate dedicated flow to drum drive motor and rear axle motor for exceptional gradeability and traction in forward and reverse. New electronic propel control provides more precise machine control.

- **Virtually maintenance free** due to maintenance-free hitch bearings and extended maintenance intervals for vibratory system and hydraulic system, providing more uptime and lower maintenance costs.
- **Cat Compaction Control - Machine Drive Power (MDP) Option** helps the operator determine when compaction has been completed to specification for greater productivity and uniform compaction quality.
- **Enhanced compaction performance** due to more weight at the drum and greater amplitude. Automated speed control and vibratory system functions make it easy to ensure consistent, high quality compaction.
- **Involuted Oval Padfoot Design** provides deeper compaction than square faced pad designs. Square pad design also available.

Specifications

Engine - Power Train

Engine Model	Cat C6.6 with ACERT™	
Global Emissions	US EPA Tier 3/EU Stage IIIA	
Gross Power ISO 14396	116.5 kW	156 hp
Displacement	6.6 L	402.8 in ³
Stroke	127 mm	5 in
Bore	105 mm	4.1 in
Max. Travel Speed (Forward or Reverse)	11.4 km/h	7 mph
Theoretical Gradeability, no vibration*	57%	

Weights

Operating Weight w/ open platform	11 140 kg	24,560 lb
Operating Weight w/ steel sun canopy	11 235 kg	24,769 lb
Operating Weight w/ ROPS/FOPS canopy	11 400 kg	25,133 lb
Operating Weight w/ ROPS/FOPS cab	11 725 kg	25,849 lb
Weight at Drum w/ open platform	6240 kg	13,757 lb
Weight at Drum w/ steel sun canopy	6275 kg	13,834 lb
Weight at Drum w/ ROPS/FOPS canopy	6330 kg	13,955 lb
Weight at Drum w/ ROPS/FOPS cab	6465 kg	14,253 lb

Additional Weight w/ Leveling Blade + 620 kg + 1,373 lb

Vibratory System Specifications

Frequency		
Standard	30.5 Hz	1830 vpm
During Eco-mode Operation	27.7 Hz	1664 vpm
Optional Variable Frequency	23.3-30.5 Hz	1400-1830 vpm
Nominal Amplitude @ 30.5 Hz (1830 vpm)		
High	2.1 mm	0.083 in
Low	0.98 mm	0.039 in
Centrifugal Force @ 30.5 Hz (1830 vpm)		
Maximum	301 kN	67,600 lb
Minimum	141 kN	31,670 lb

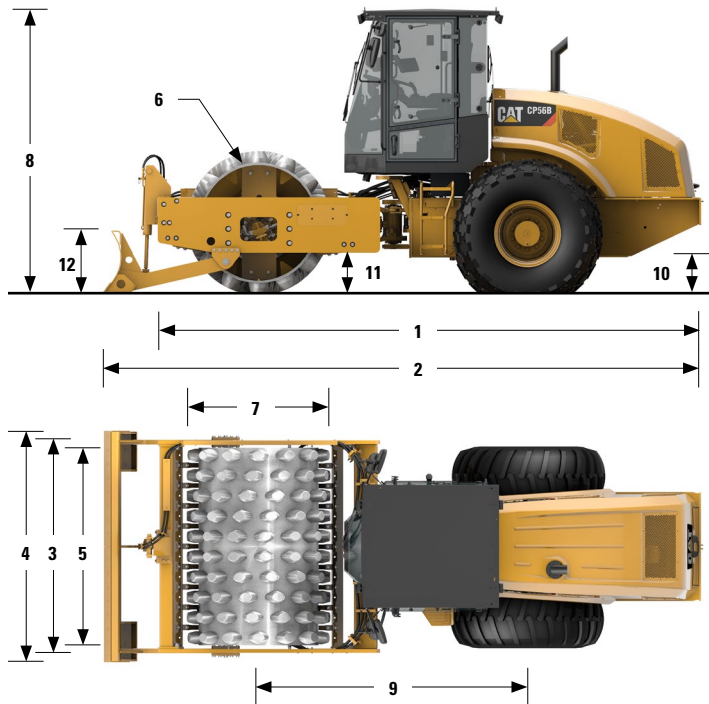
Service Refill Capacities

Fuel Tank, total capacity	242 L	64 gal
Cooling System	27.9 L	7.4 gal
Engine Oil w/ Filter	17.4 L	4.6 gal
Eccentric Weight Housings	26 L	6.9 gal
Axle and Final Drives	18 L	4.8 gal
Hydraulic Tank (service refill)	50 L	13.2 gal

* Actual gradeability may vary based on site conditions and machine configuration. Refer to the Operation and Maintenance Manual for more information.



CP56B Vibratory Soil Compactor



Dimensions

1 Overall Length	5.86 m	19.2 ft
2 Overall Length w/ Optional Leveling Blade	6.4 m	20.9 ft
3 Overall Width	2.30 m	7.53 ft
4 Overall Width w/ Optional Leveling Blade	2.50 m	8.25 ft
5 Drum Width	2134 mm	84 in
6 Drum Shell Thickness	25 mm	1 in
7 Drum Diameter (over pads)	1549 mm	60.9 in
8 Maximum Overall Height	3.11 m	10.2 ft
9 Wheelbase	2.9 m	9.5 ft
10 Ground Clearance	454 mm	17.9 in
11 Curb Clearance	506 mm	19.9 in
12 Optional Leveling Blade Height	688 mm	27.1 in
Inside Turning Radius	3.68 m	12.07 ft
Hitch Articulation Angle	34°	
Hitch Oscillation Angle	15°	

Padfoot Specifications

Number of Pads	140	
Pad Height, oval pads	127 mm	5 in
Pad Face Area, oval pads	74.4 cm ²	11.5 in ²
Pad Height, optional square pads	100 mm	3.9 in
Pad Face Area, optional square pads	123 cm ²	19.1 in ²
Number of Chevrons	14	

STANDARD EQUIPMENT *Varies by market- contact your dealer for specifics.*

ELECTRICAL

- 24 volt Electrical System
- 100 ampere Alternator
- 750 Cold-cranking Amps Battery Capacity

OPERATOR ENVIRONMENT

- Open Platform with Handrails/Guardrails, Floor Mat
- Vinyl Adjustable Pivoting Seat with Integrated Console and LCD Display
- Multifunction LCD Display with gauges and audible warning for: *Hydraulic oil temperature, Engine oil pressure, Engine coolant temperature, Alternator charge, Fuel level, Service hour meter, Engine RPM, Ground speed, Vibe frequency, Fuel rate, Air filter constriction, Engine load and Optional Cat Compaction Control*
- Adjustable Tilting Steering Column with Integrated Cup Holders
- Seat Belt
- 12-volt Power Outlet
- Interior Rear View Mirror
- Horn, Backup Alarm

POWER TRAIN

- Cat C6.6 Diesel Engine
- Air Cleaner, Dual Element
- Three-speed Throttle Switch, Eco-mode and Automatic Speed Control
- Dual Propel Pumps; One for Drum Drive, One for Rear Axle
- Fuel Filter, Water Separator, Priming Pump, Water Indicator
- Tilting Radiator/Hydraulic Oil Cooler
- Dual Braking System
- Two-speed Hydrostatic Transmission

VIBRATORY SYSTEM

- Padfoot Drum
- Dual Amplitude, Single Frequency
- Dual Pod-Style Eccentric Weight Housings
- Auto-vibe Function
- Front Adjustable Steel Scrapers

OTHER

- Sight Gauges for Hydraulic Oil Level and Radiator Coolant Level
- S-O-SSM Sampling Valves: Engine Oil, Hydraulic Oil and Coolant

OPTIONAL EQUIPMENT

- Steel Sun Canopy
- ROPS/FOPS Canopy
- ROPS/FOPS Cab with Climate Control
- Leveling Blade
- Variable Vibration Frequency
- Beacon, Rotating
- Polyurethane Drum Scrapers
- Steel Rear-side Drum Scraper
- Sun Visor
- Cat Compaction Control, Machine Drive Power
- SBAS GNSS Mapping for Cat Compaction Control (RTK available)
- Upgraded Halogen Light Package
- Cab Internal Rear View Mirrors
- Cab Internal Roll-down Sun Screen
- Product Link™
- Additional Rear View Mirrors
- Containerized Shipping
- Fuel Fill Access Door
- Transmission Guard

For more complete information on Cat products, dealer services, and industry solutions, visit us on the web at www.cat.com

QEHQ1654-04 (01-16)

© 2016 Caterpillar
All Rights Reserved
Printed in U.S.A.

LRC

Weights and dimensions listed are approximate. Materials and specifications are subject to change without notice. Featured machines in photos may include additional equipment. See your Cat dealer for available options.

CAT, CATERPILLAR, BUILT FOR IT, their respective logos, "Caterpillar Yellow" and the "Power Edge" trade dress, as well as corporate and product identity used herein, are trademarks of Caterpillar and may not be used without permission.

