

Cat® CW Series Quick Couplers

For Excavators 301 - 390



Features:

Save time

Superior Design

Compliant to
Safety Standards

Ease of Installation

Right Tool for the job

Benefits:

Using excavators effectively means using the right tool for the job. The CW Quick Coupler makes it possible to simply release one Work Tool and pick up the next in a matter of seconds. The CW is available for excavators from 1.5 up to 90 ton.

The CW Quick Coupler is designed to maintain break out force. A wedge-style locking system that fits the coupler tight to the tool hinges without any play. The CW is highly suitable in harsh applications such as demolition and in quarries. A lifting hook is standard.

The CW Coupler complies with all applicable global safety standards. It is standard equipped with springs to hold the wedge in the locked position. The Springs ensure that the Quick Coupler retains the Work Tool, even in the event of a hydraulic failure.

The CW Quick Coupler fits directly to your machine and is controlled by Quick Coupler actuation circuit. Combined with tool control operators can make fast tool changes.

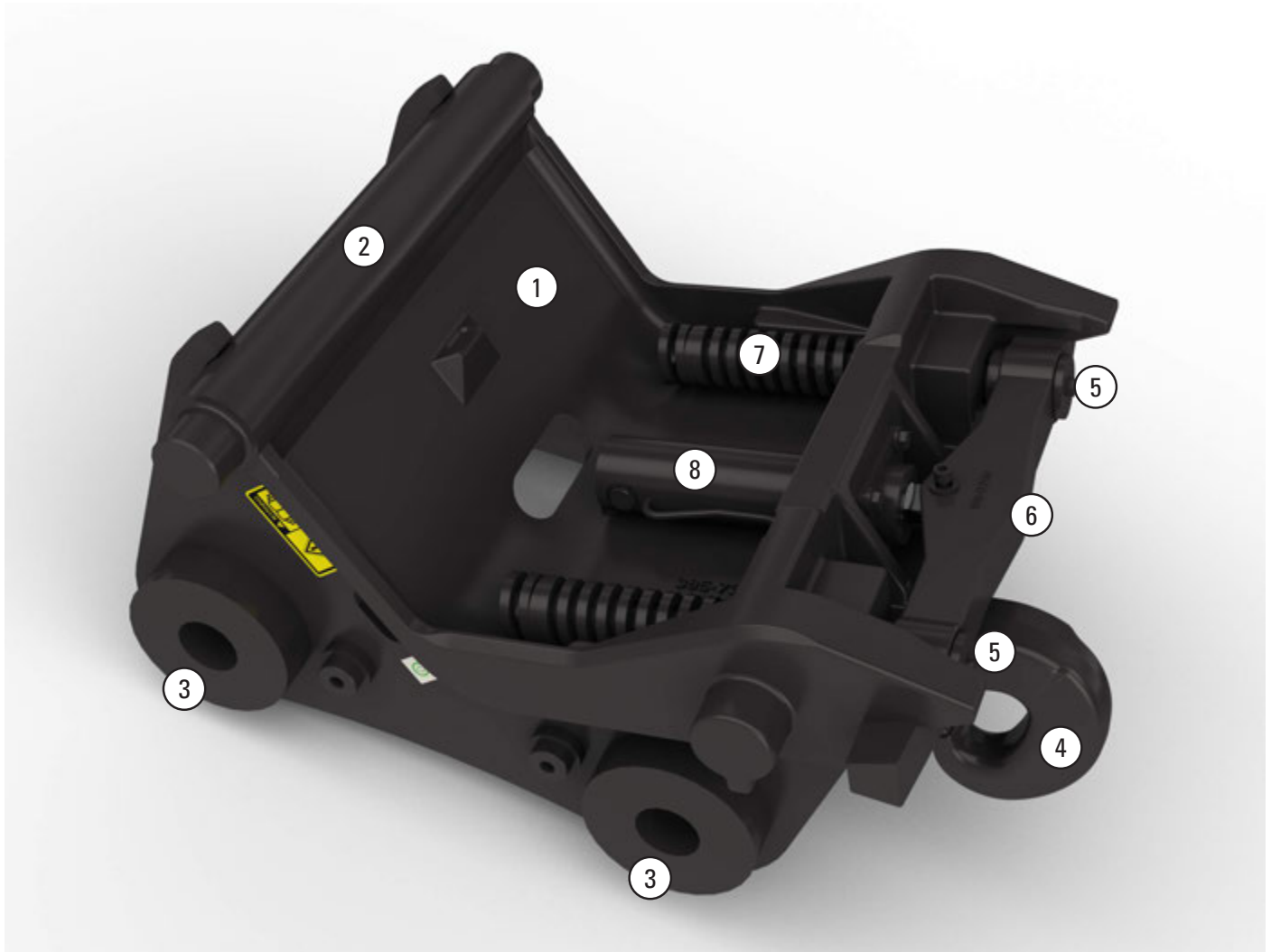
With the near instant tool exchange, operators will be encouraged to use the right tool for the job. Every time. The Tools last longer, improving return on your investment.



CW Series Quick Couplers

The quick coupling of Work Tools is an integral part of the philosophy

Increase the utilization of your excavator through Work Tools. Your machine becomes an all-purpose tool carrier. The CW Coupler has become the industry standard with over 50.000 units sold in the last 25 years. It's interchangeable with different machine classes and has been designed for use with more than 1500 different machines, both Cat and Non-Cat.



- 1 Casted body
- 2 Front tool pick-up shaft
- 3 Machine pin
- 4 Lifting hook
- 5 Wedge guide-pin
- 6 Wedge
- 7 Spring to keep the wedge in the locked position
- 8 Hydraulic cylinder

Minimal loss of breakout force due to low build-up height.

CW Series Quick Couplers

Work Tool Mounting Brackets and Hinges

In order to fit a work tool to an excavator equipped with a CW coupler, the work tool must have CW-hinges or a dedicated mounting bracket. Fixed CW coupler hinges are available for buckets and rippers. Mounting Brackets with CW hinges are available for hydro-mechanical work tools, like grapples, multi-processors etc.



Fixed Quick Coupler hinges on Buckets



Mounting Brackets for Hydro-Mechanical Tools

Loose CW coupler hinges to retrofit buckets and hydro-mechanical Work Tools are available.

Coupling sequence



1. Line up.



2. Couple rear axle.



3. Connect front axle.



4. Locking the wedge.

CW Series Quick Couplers for the total range of Excavators 1 to 90 ton

Caterpillar offers a series of CW couplers that fits your machine and application*.

Mechanical version



Side view



Bottom view

The Mechanical (Spindle) version is the simplest to operate. It has a high level of reliability, a low cost of ownership, and is easy to connect manually.

Hydraulic version



Side view



Bottom view

The Hydraulic version is equipped with a cylinder, so that it can be operated from the cabin.

Auto-Connect version



Side view



Bottom view

The Automatic hydraulic version, (Auto-Connect) automates tool exchange fully, so operators can change work tools quickly, from the safety and comfort of their cabin (no hose exchange necessary with hydraulic work tools).



* CW coupler offering can vary per region. Please contact your local dealer for more information.

CW Hydraulic

CW Series Quick Couplers for the total range of Excavators 1 to 90 ton

Under water version



Side view



Bottom view

For the use under water special features as seals and covers are required in order to protect pins and bushings.

UHD version



Side view



Bottom view

The Ultra High Demolition version (UHD) is designed for the use on long boom and stick combinations that are used in the vertical position as in Demolition Applications. In order to provide enough freedom of movement for the Work Tool the shape of the coupler is made different.

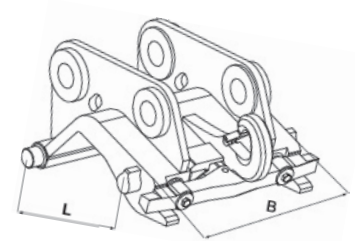


CW Auto-Connect

CW Specifications for Spindle and Hydraulic versions

Specifications		CW-05	CW-10	CW-20	CW-30	CW-40	CW45	CW55	CW70
Carrier weight	ton	1.0-3,5	3-10,5	7,5-15	15-20	20-27	25-45	40-65	62-90
Weight (approx.)	kg	25	70	200	220	250	450	725	1275
Width (B)	mm	175	310	550	550	550	690	830	840
Length (L)	mm	200	300	475	475	475	570	650	875
Hoisting-Hook	ton	2	4	10	10	10	14	20	20

		CW-20S	CW-30S	CW-40S	CW-45S	CW-55S
Carrier weight	ton	7,5-15	15-20	20-23	25-40	35-55
Weight (approx.)	kg	180	200	225	420	575
Width	mm	475	420	475	570	650
Length	mm	420	475	420	550	560
Hoisting-Hook	ton	10	10	10	14	20



* Work tool for **CW-20, CW-30 and CW-40** are interchangeable as well as for **CW-20S, CW-30S and CW-40S**. Please note that both the coupler and the bucket/work tool have to match the carrier. **CW-70** only available with hydraulic operated wedge. Please contact your Caterpillar dealer for further information.

CW Models

Type/Model	Option Wedge	Standard Lift Hook (t)
CW-05	H or M	2
CW-10	H or M	4
CW-20	H or M	10
CW-20s	H or M	10
CW-30	H or M	10
CW-30s	H or M	10
CW-40	H or M	10
CW-40s	H or M	10
CW-45	H or M	14
CW-45s	H or M	14
CW-55	H or M	20
CW-55s	H or M	20
CW-70	H	20

H = Hydraulic
M = Mechanical

The hydraulic version of the Quick Coupler is controlled from the cabin by means of a hydraulic actuating circuit. The actuating circuit can either be installed on the machine from factory or can be installed retrospectively.



Matching Guide

Quick Coupler	Linkage	Hydraulic Excavators ***
CW-05	(301.5)	301.4C / 301.7D
	(302.5)	302.2D / 302.4D / 302.7D
	(303.5)	303E / 303.5D-E / 304D-E
CW-10	(305.5)	305D-E / 305.5D-E
	(307)	307D-E / 308D-E
	(BHL)	416E-F up to 444E-F
CW-20	(312)	311F / 312D2-E-F / 313D2-F / 314E-F
	(M312-M315)	M313D / M314F / M315D / M316D-F / M318F
CW-30	(316)	316E-F / 318E-F
	(M318-M322)	M318D / M320F / M322D-F
CW-40	B	320D2-E-F / 321F / 323D2-E-F
	CB	323D2-E-F / 324E / 325F / 326D2-F
	CB*	329D2-E-F / 330F / 335F
	UHD**	325D / 330D / 345C / 365C
CW-45	CB	323D2-E-F / 324E / 325F / 326D2-F / 329D2-E-F / 330F / 335F
	DB	324E / 326D2-F / 329D2-E-F / 336D2-E-F / 340D2-F
	TB	336D2-E-F / 340D2-F
CW-55	TB	336E-F / 340 D2-F / 349D2-E-F / 352F
	UB	349D2-E-F / 352F
CW-70	VB	374D-F
	WB	374D-F
	HB	390D-F
	JC	390D-F
CW-20S	(312)	311F / 312D2-E-F / 313D2-F / 314E-F
	(M312-M315)	M313D / M314F / M315D / M316D-F / M318F
CW-30S	(316)	316E-F / 318E-F
	(M318-M322)	M318D / M320F / M322D-F
CW-40S	B	320D2-E-F / 321F / 323D2-E-F
CW-45S	CB	323D2-E-F / 324E / 325F / 326D2-F / 329D2-E-F / 330F / 335F
	DB	324E / 326D2-F / 329D2-E-F / 330F / 336D2-E-F / 340D2-F
CW-55S	DB	336D2-E-F / 340D2-F
	TB	336E-F / 340 D2-F / 349D2-E-F / 352F

* CW-40 can be used only in General / Standard Duty applications like general construction and agriculture for general excavating, ditch cleaning, work site grading, sloping and landscaping.

** Take note that UHD quick couplers have a special shape for optimal working range with Cat demolition work tools.

*** Please contact your Caterpillar dealer for couplers for non-current and/or special Cat machines.

Matches are for indication only and depend on machine configuration and application.



Follow us on Twitter: @CatAttachments



For more complete information on Cat products, dealer services, and industry solutions, visit us on the web at www.cat.com

HEHX3148-05 (Q2-2015)

© 2015 Caterpillar - All Rights Reserved

Materials and specifications are subject to change without notice. Featured machines in photos may include additional equipment. See your Caterpillar dealer for available options.

CAT, CATERPILLAR, their respective logos, "Caterpillar Yellow" and the POWER EDGE trade dress, as well as corporate and product identity used herein, are trademarks of Caterpillar and may not be used without permission.

